

**Receiver**
**From**

 Society  
 Reference  
 Address  
 Phone  
 Fax  
 E-mail

**Item n° :**

102990120

**Model :**

KVC 40/50 M

**Pump data**

 MEI  $\geq$  0,60

Pressure rating : 12 bar (1200 KPa)

Min. fluid temperature : 32 °F

Max. fluid temperature : 104 °F

Max. Ambient temperature : 104 °F

**Requested data**

Flow : 0/00 US g.p.m.

Head : 0/00 m

Fluid : Water, pure

Fluid Temperature : 68 °F

 Density : 62/322 lb/ft<sup>3</sup>

 Kinematic viscosity : 1/0818E-5 ft<sup>2</sup>/s

Vapor pressure : 2/34 kPa

**Hydraulic data (duty point)**

Flow :

Head :

NPSH :

Shaft power P2 : 0/80 kW

Efficiency : - %

**Materials**

Impeller Technopoly mer B

Diff user Technopoly mer B

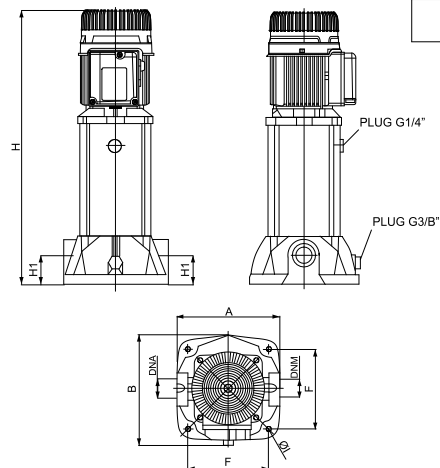
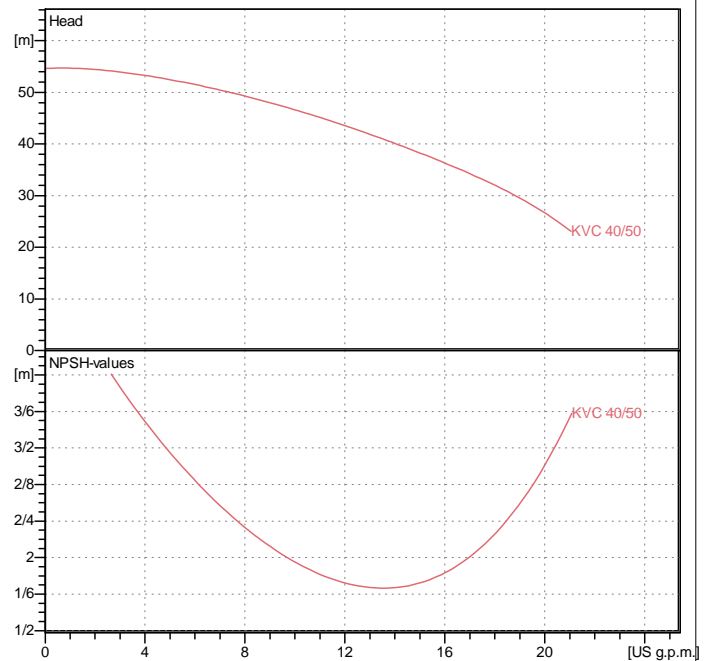
Shaft with rotor AISI 303 X10 CrNiS 1809 UNI 6900/71

External sleeve AISI 304 X5 Cr Ni 1810 UNI 6900/71

Seal disk AISI 304 X5 Cr Ni 1810 UNI 6900/71

Mechanical seal Silicon carbide/Carbon

OR ring EPDM Rubber

**Curve tolerance according to ISO 9906**

**Weight :** 15/8 kg

**Motor data**

Motor brand : DAB

Nominal power P2 : 0/8 kW

Rated speed : 2800 rpm

Rated voltage : 1- 230 V 50 Hz

Nominal current : 5/6 A

Degree of protection : IP 55

**Dimensions in mm**

? I	9
A	221
B	235
DNA	1"1/4 G
DNM	1"1/4 G
F	170
H	505
H1	60

**Pump connection**

Suction side : 1 " 1/4 G 12 bar (1200 KPa)

Discharge side : 1 " 1/4 G 12 bar (1200 KPa)