

**Receiver**
**From**

 Society  
 Reference  
 Address  
 Phone  
 Fax  
 E-mail

**Item n° :**

102990400

**Model :**

KVC 25/120 M

**Pump data**

 MEI  $\geq$  0,50

Pressure rating : 12 bar (1200 KPa)

Min. fluid temperature : 32 °F

Max. fluid temperature : 104 °F

Max. Ambient temperature : 104 °F

**Requested data**

Flow : 0/00 US g.p.m.

Head : 0/00 m

Fluid : Water, pure

Fluid Temperature : 68 °F

 Density : 62/322 lb/ft<sup>3</sup>

 Kinematic viscosity : 1/0818E-5 ft<sup>2</sup>/s

Vapor pressure : 2/34 kPa

**Hydraulic data (duty point)**

Flow :

Head :

NPSH :

Shaft power P2 : 1/00 kW

Efficiency : - %

**Materials**

Impeller Technopoly mer B

Diff user Technopoly mer B

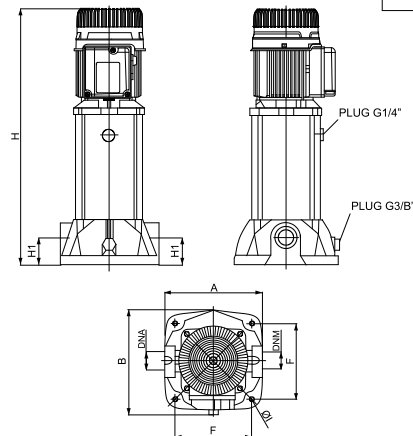
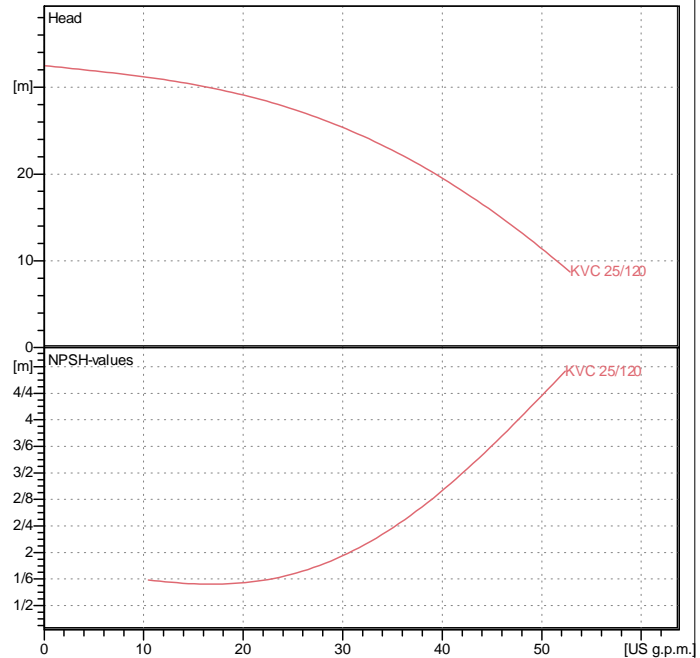
Shaft with rotor AISI 303 X10 CrNiS 1809 UNI 6900/71

External sleeve AISI 304 X5 Cr Ni 1810 UNI 6900/71

Seal disk AISI 304 X5 Cr Ni 1810 UNI 6900/71

Mechanical seal Silicon carbide/Carbon

OR ring EPDM Rubber

**Curve tolerance according to ISO 9906**

**Weight :** 17 kg

**Motor data**

Motor brand : DAB

Nominal power P2 : 1 kW

Rated speed : 2800 rpm

Rated voltage : 1- 220-240 V 50 Hz

Nominal current : 6/5 A

Degree of protection : IP 55

**Dimensions in mm**

|     |         |
|-----|---------|
| ? I | 9       |
| A   | 221     |
| B   | 235     |
| DNA | 1"1/4 G |
| DNM | 1"1/4 G |
| F   | 170     |
| H   | -       |
| H1  | 60      |

**Pump connection**

Suction side : 1 " 1/4 G 12 bar (1200 KPa)

Discharge side : 1 " 1/4 G 12 bar (1200 KPa)