

	<b>Product information</b> <b>TD65-48/2</b>	Manufacturer	CNP
		Address	Yuhang District, Hangzhou,
<b>Project Name</b>		Contact	86-571-88637351
		Date	2022/03/08
<b>Station Number</b>		Client Name	DPA
		Client Addr.	
		Contacts	Alireza
		Contact	

Product No.	1100042400
-------------	------------

Product picture(Note:the picture may not be the same as the	Series description
	<p><b>Product introduction</b></p> <p>Single stage in-line centrifugal pumps,inlet and outlet are horizontal with top side pulled out structure and can be repaired without removing the pipelines.</p> <p><b>Performance and advantages</b></p> <p>Compact structure  Maintenance convenience  Low noise  Both cast iron and stainless steel impeller are available</p> <p><b>Application range</b></p>

<b>Performance Data (Max Dia)</b>	
Rated flow(m <sup>3</sup> /h)	25
Rated head(m)	48
Efficiency(%)	57
Rated power(kW)(kW)	5.74
NPSHr(m)	3
Impeller Dia	192
Rate Speed(rpm)	2900
<b>technology</b>	
Pump rotator speed	2900
Pump version	Extension shaft
<b>Material</b>	
Impeller	HT200
Pump body	HT200
Rubber code	NBR
<b>Installation</b>	
Connection Code	F
Maximum Operation Pressure	PN12
<b>Medium</b>	
Medium Temperature	-15~110
<b>Structure dimension</b>	
Inlet & outlet size types	DN
Inlet & Outlet size	65
Rotation Direction	Clockwise rotation viewed from motor end
<b>Motor</b>	
Number of Motor Phase	Three Phase
Protection Class	IP55
Insulation Class	F
Motor Power	7.5
Power Frequency	50Hz
Rated Voltage (V)	380V
Energy Efficiency Level	IE3
<b>Seal</b>	
Mechanical Seal	TD-28/B2SE4

	<b>Product information</b> <b>TD65-48/2</b>	Manufacturer	CNP
		Address	Yuhang District, Hangzhou,
		Contact	86-571-88637351
		Date	2022/03/08
Project Name		Client Name	DPA
Station Number		Client Addr.	
		Contacts	Alireza
		Contact	

**Others**

Weight (kg) 91





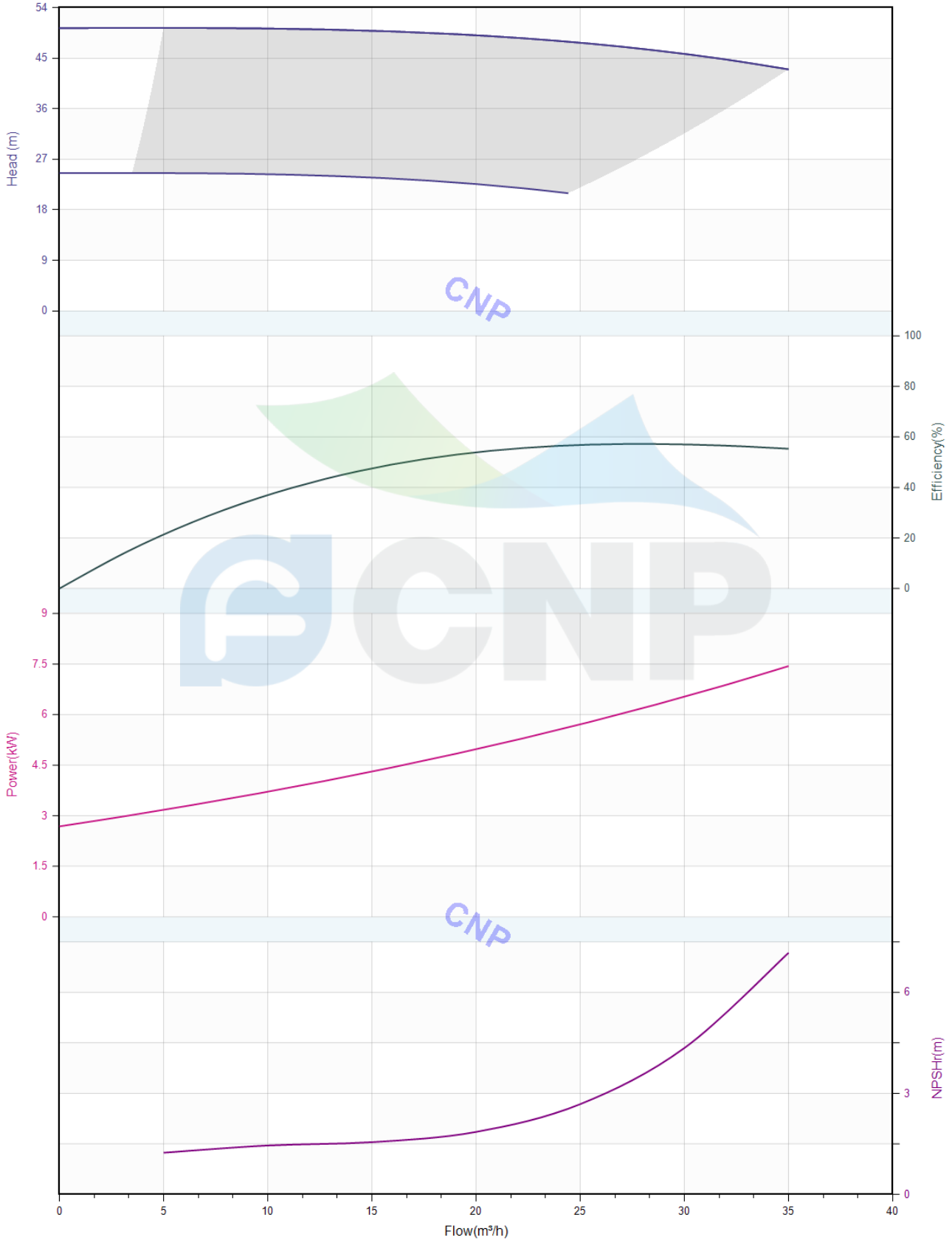
# Performance Curve TD65-48/2

Manufacturer	CNP
Address	Yuhang District, Hangzhou,
Contact	86-571-88637351
Date	2022/03/08
Client Name	DPA
Client Addr.	
Contacts	Alireza
Contact	

Project Name

Station Number

Medium Name Clear Water , Temperature 20°C, Density 1000kg/m<sup>3</sup>, Viscosity 1mm<sup>2</sup>/s, (ISO99062012 Grande 3B)





## Pump technical parameters TD65-48/2

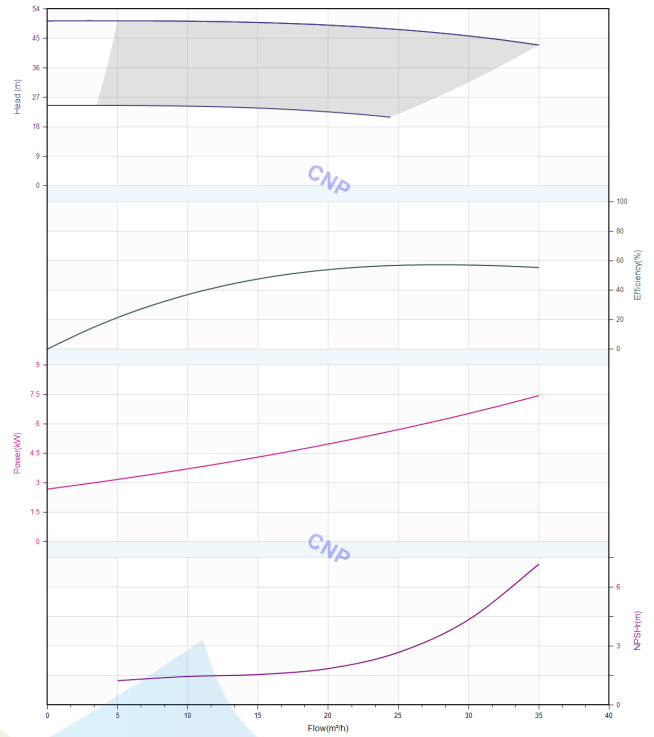
Manufacturer	CNP
Address	Yuhang District, Hangzhou,
Contact	86-571-88637351
Date	2022/03/08
Client Name	DPA
Client Addr.	
Contacts	Alireza
Contact	

### Rated parameters

Pump model	TD65-48/2
Product No.	1100042400
Rated flow(m <sup>3</sup> /h)	25
Rated pressure(m)	48
Rated efficiency(%)	57
Power(kW)	5.74
NPSHr(m)	3
Speed(rpm)	2900
Max impeller diameter(mm)	192

### Medium

Medium Name	Clear Water
Working temperature(°C)	20
Medium density(kg/m <sup>3</sup> )	1000
Viscosity(mm <sup>2</sup> /s)	1

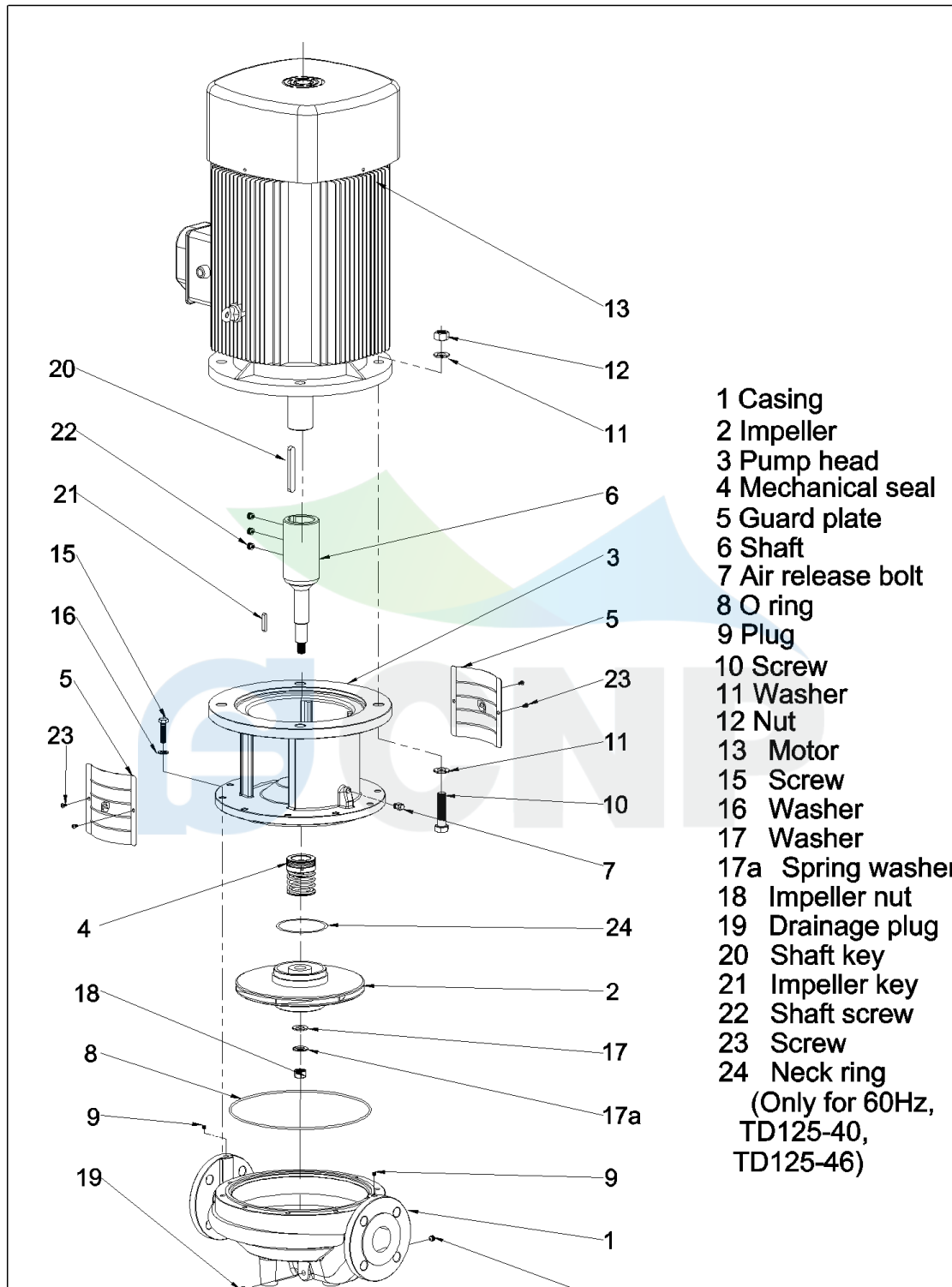




**Structure picture**  
**TD65-48/2**

Manufacturer	CNP
Address	Yuhang District, Hangzhou,
Contact	86-571-88637351
Date	2022/03/08
Client Name	DPA
Client Addr.	
Contacts	Alireza
Contact	

Project Name	
Station Number	



- 1 Casing
  - 2 Impeller
  - 3 Pump head
  - 4 Mechanical seal
  - 5 Guard plate
  - 6 Shaft
  - 7 Air release bolt
  - 8 O ring
  - 9 Plug
  - 10 Screw
  - 11 Washer
  - 12 Nut
  - 13 Motor
  - 15 Screw
  - 16 Washer
  - 17 Washer
  - 17a Spring washer
  - 18 Impeller nut
  - 19 Drainage plug
  - 20 Shaft key
  - 21 Impeller key
  - 22 Shaft screw
  - 23 Screw
  - 24 Neck ring
- (Only for 60Hz,  
TD125-40,  
TD125-46)

**E-TD32~TD150-080701 Extension shaft**

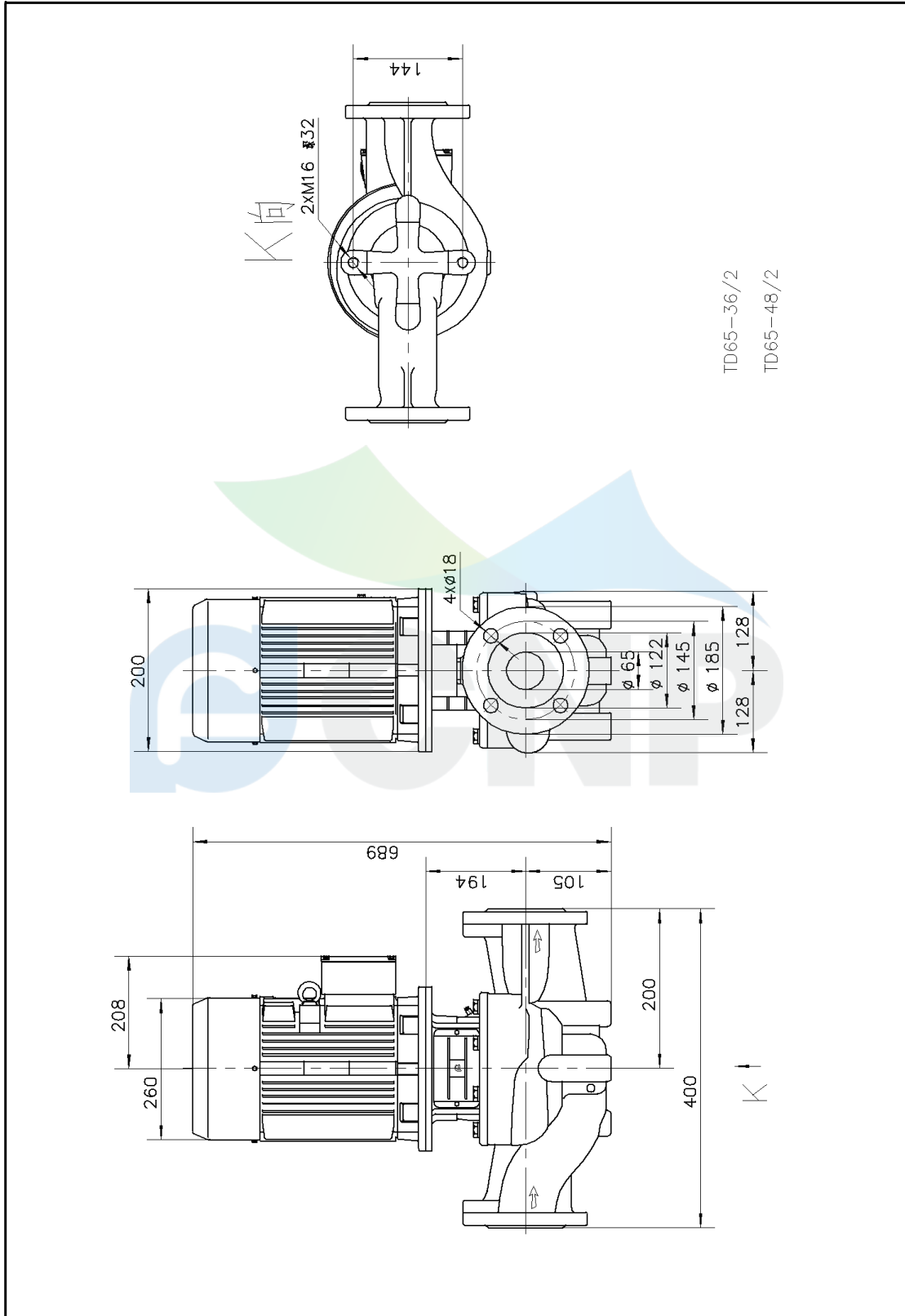


Size picture  
TD65-48/2

Manufacturer	CNP
Address	Yuhang District, Hangzhou,
Contact	86-571-88637351
Date	2022/03/08
Client Name	DPA
Client Addr.	
Contacts	Alireza
Contact	

Project Name

Station Number



TD65-36/2  
TD65-48/2