



| | | | |
|----------------------------------------------------------------------------------|------------------------------------------------|--------------|----------------------------|
|  | Product information TD65-19/2 | Manufacturer | CNP |
| | | Address | Yuhang District, Hangzhou, |
| Project Name | | Contact | 86-571-88637351 |
| | | Date | 2022/03/09 |
| Station Number | | Client Name | DPA |
| | | Client Addr. | |
| | | Contacts | Alireza |
| | | Contact | |

| | |
|-------------|------------|
| Product No. | 1100042243 |
|-------------|------------|

| | |
|-----------------------------------------------------------------------------------|----------------------------------------------------------------------------------------------------------------------------------------------------------------------------------------------------------------------------------------------------------------------------------------------------------------------------------------------------------------------------------------------------------------------------------------------|
| Product picture(Note:the picture may not be the same as the | Series description |
|  | <p>Product introduction</p> <p>Single stage in-line centrifugal pumps,inlet and outlet are horizontal with top side pulled out structure and can be repaired without removing the pipelines.</p> <p>Performance and advantages</p> <p>Compact structure Maintenance convenience Low noise Both cast iron and stainless steel impeller are available</p> <p>Application range</p> |

| | |
|----------------------------|------------------------------------------|
| technology | |
| Pump rotator speed | 2900 |
| Pump version | Extension shaft |
| Material | |
| Impeller | HT200 |
| Pump body | HT200 |
| Rubber code | NBR |
| Installation | |
| Connection Code | F |
| Maximum Operation Pressure | PN12 |
| Medium | |
| Medium Temperature | -15~110 |
| Structure dimension | |
| Inlet & outlet size types | DN |
| Inlet & Outlet Bore | 65 |
| Rotation Direction | Clockwise rotation viewed from motor end |
| Motor | |
| Number of Motor Phase | Three Phase |
| Protection Class | IP55 |
| Insulation Class | F |
| Motor Power | 3 |
| Power Frequency | 50Hz |
| Rated Voltage (V) | 380V |
| Energy Efficiency Level | IE3 |
| Seal | |
| Mechanical Seal | TD-28/B2SE4 |
| Others | |
| Weight (kg) | 74 |



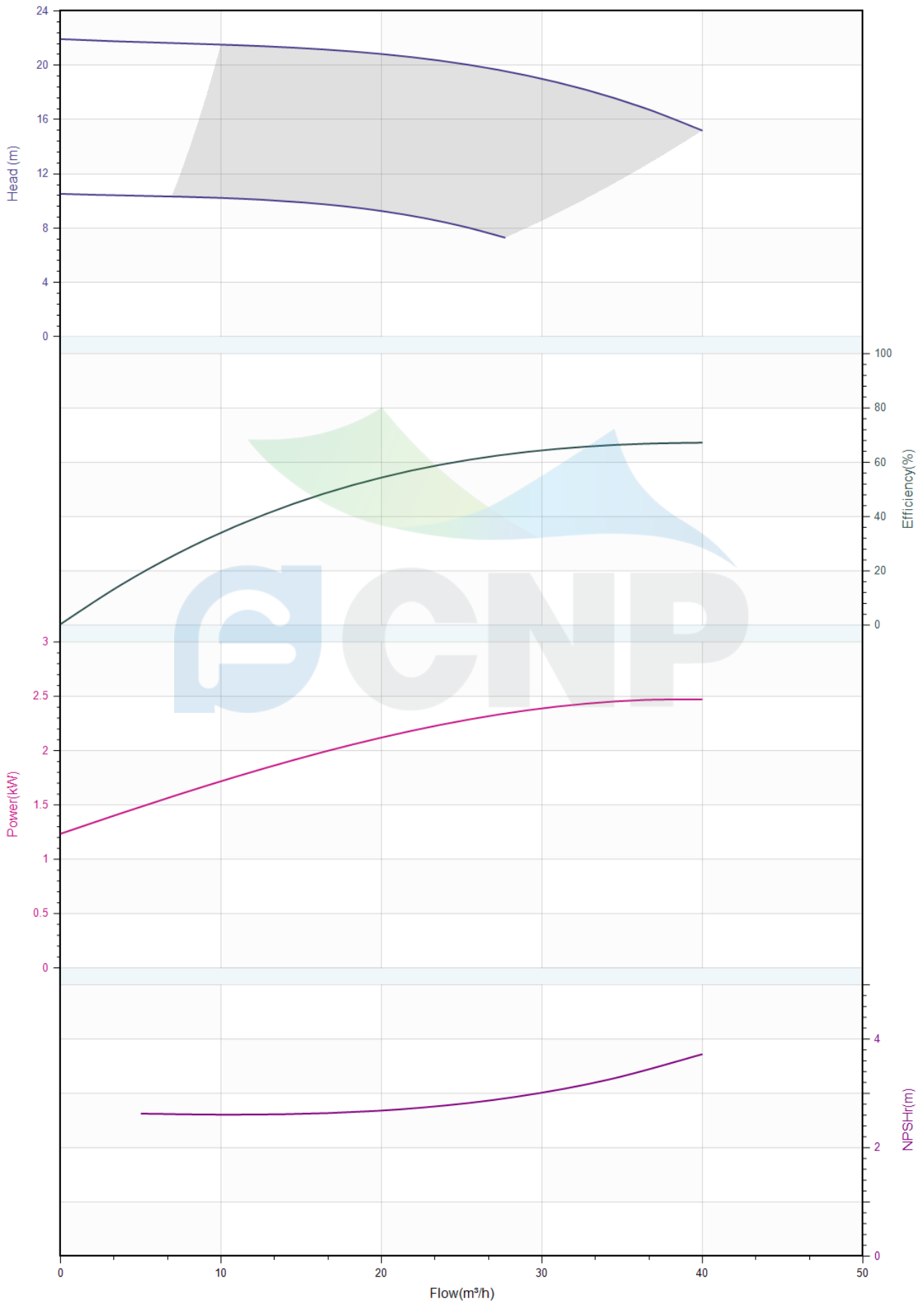
Performance Curve TD65-19/2

| | |
|--------------|----------------------------|
| Manufacturer | CNP |
| Address | Yuhang District, Hangzhou, |
| Contact | 86-571-88637351 |
| Date | 2022/03/09 |
| Client Name | DPA |
| Client Addr. | |
| Contacts | Alireza |
| Contact | |

Project Name

Station Number

Medium Name Clear Water , Temperature 20°C, Density 1000kg/m³, Viscosity 1mm²/s, (ISO99062012 Grande 3B)





Pump technical parameters TD65-19/2

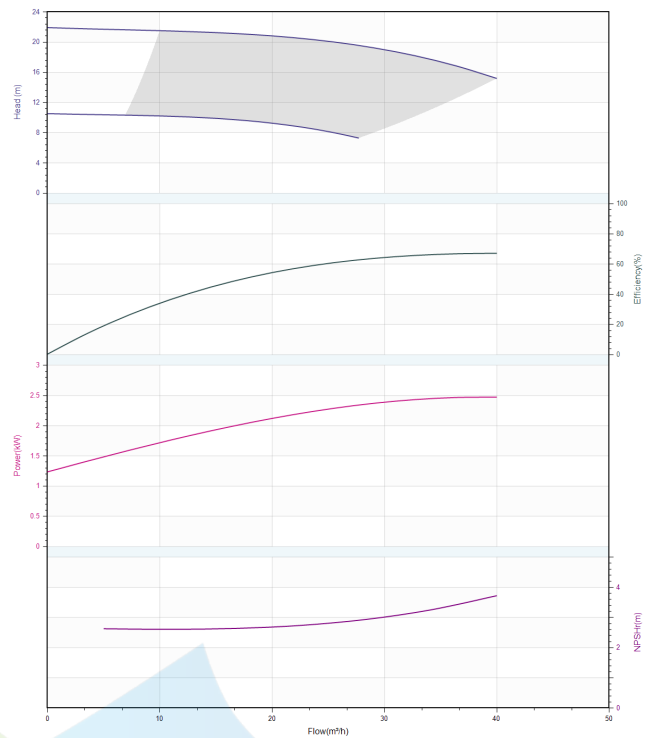
| | |
|--------------|----------------------------|
| Manufacturer | CNP |
| Address | Yuhang District, Hangzhou, |
| Contact | 86-571-88637351 |
| Date | 2022/03/09 |
| Client Name | DPA |
| Client Addr. | |
| Contacts | Alireza |
| Contact | |

Rated parameters

| | |
|-------------------------------|------------|
| Pump model | TD65-19/2 |
| Product No. | 1100042243 |
| Rated flow(m ³ /h) | 30 |
| Rated pressure(m) | 19 |
| Rated efficiency(%) | 66 |
| Power(kW) | 2.35 |
| NPSHr(m) | 3 |
| Speed(rpm) | 2900 |
| Max impeller diameter(mm) | 127 |

Medium

| | |
|------------------------------------|-------------|
| Medium Name | Clear Water |
| Working temperature(°C) | 20 |
| Medium density(kg/m ³) | 1000 |
| Viscosity(mm ² /s) | 1 |

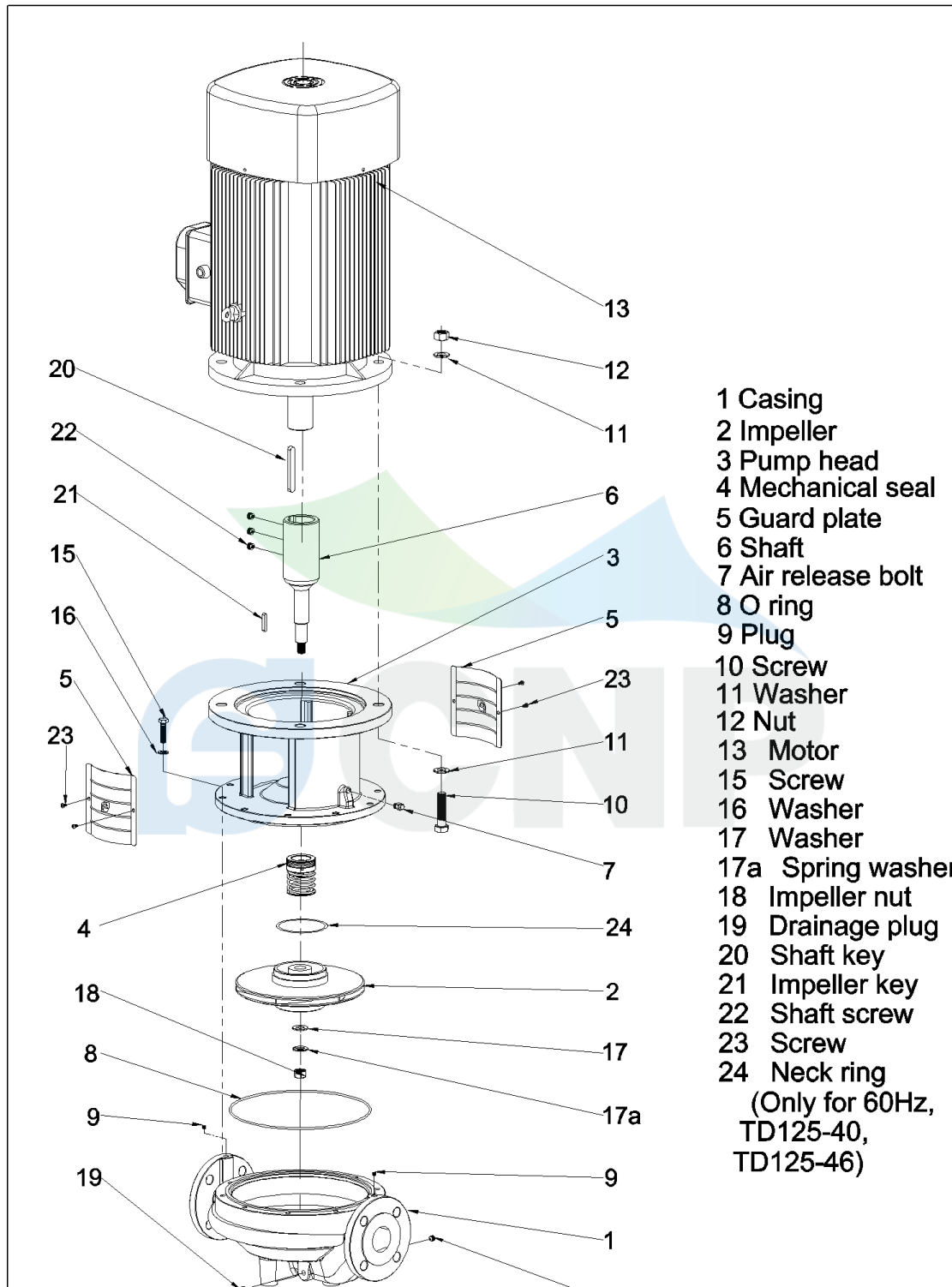




Structure picture
TD65-19/2

| | |
|--------------|----------------------------|
| Manufacturer | CNP |
| Address | Yuhang District, Hangzhou, |
| Contact | 86-571-88637351 |
| Date | 2022/03/09 |
| Client Name | DPA |
| Client Addr. | |
| Contacts | Alireza |
| Contact | |

| | |
|----------------|--|
| Project Name | |
| Station Number | |



- 1 Casing
- 2 Impeller
- 3 Pump head
- 4 Mechanical seal
- 5 Guard plate
- 6 Shaft
- 7 Air release bolt
- 8 O ring
- 9 Plug
- 10 Screw
- 11 Washer
- 12 Nut
- 13 Motor
- 15 Screw
- 16 Washer
- 17 Washer
- 17a Spring washer
- 18 Impeller nut
- 19 Drainage plug
- 20 Shaft key
- 21 Impeller key
- 22 Shaft screw
- 23 Screw
- 24 Neck ring
(Only for 60Hz,
TD125-40,
TD125-46)

E-TD32~TD150-080701 Extension shaft



Size picture
TD65-19/2

| | |
|--------------|----------------------------|
| Manufacturer | CNP |
| Address | Yuhang District, Hangzhou, |
| Contact | 86-571-88637351 |
| Date | 2022/03/09 |
| Client Name | DPA |
| Client Addr. | |
| Contacts | Alireza |
| Contact | |

Project Name

Station Number

