

	Product information TD50-18G/2	Manufacturer	CNP
		Address	Yuhang District, Hangzhou,
Project Name		Contact	86-571-88637351
		Date	2022/03/08
Station Number		Client Name	DPA
		Client Addr.	
		Contacts	Alireza
		Contact	

Product No.	1100087861
-------------	------------

Product picture(Note:the picture may not be the same as the	Series description
	Product introduction Single stage in-line centrifugal pumps,inlet and outlet are horizontal with top side pulled out structure and can be repaired without removing the pipelines.
	Performance and advantages Compact structure Maintenance convenience Low noise Both cast iron and stainless steel impeller are available
	Application range

Performance Data (Max Dia)	
Rated flow(m ³ /h)	25
Rated head(m)	18
Efficiency(%)	65
Rated power(kW)(kW)	1.89
NPSHr(m)	2.5
Impeller Dia	129
Rate Speed(rpm)	2900
technology	
Pump rotator speed	2900
Pump version	Extension shaft
Material	
Impeller	HT200
Pump body	HT200
Rubber code	NBR
Installation	
Connection Code	F
Maximum Operation Pressure	PN12
Medium	
Medium Temperature	-15~110
Structure dimension	
Inlet & outlet size types	DN
Inlet & Outlet size	50
Rotation Direction	Clockwise rotation viewed from motor end
Motor	
Number of Motor Phase	Three Phase
Protection Class	IP55
Insulation Class	F
Motor Power	2.2
Power Frequency	50Hz
Rated Voltage (V)	380V
Energy Efficiency Level	IE3
Seal	
Mechanical Seal	TDS-28/BSE4

	Product information TD50-18G/2	Manufacturer	CNP
		Address	Yuhang District, Hangzhou,
		Contact	86-571-88637351
		Date	2022/03/08
Project Name		Client Name	DPA
Station Number		Client Addr.	
		Contacts	Alireza
		Contact	

Others

Weight (kg) 45





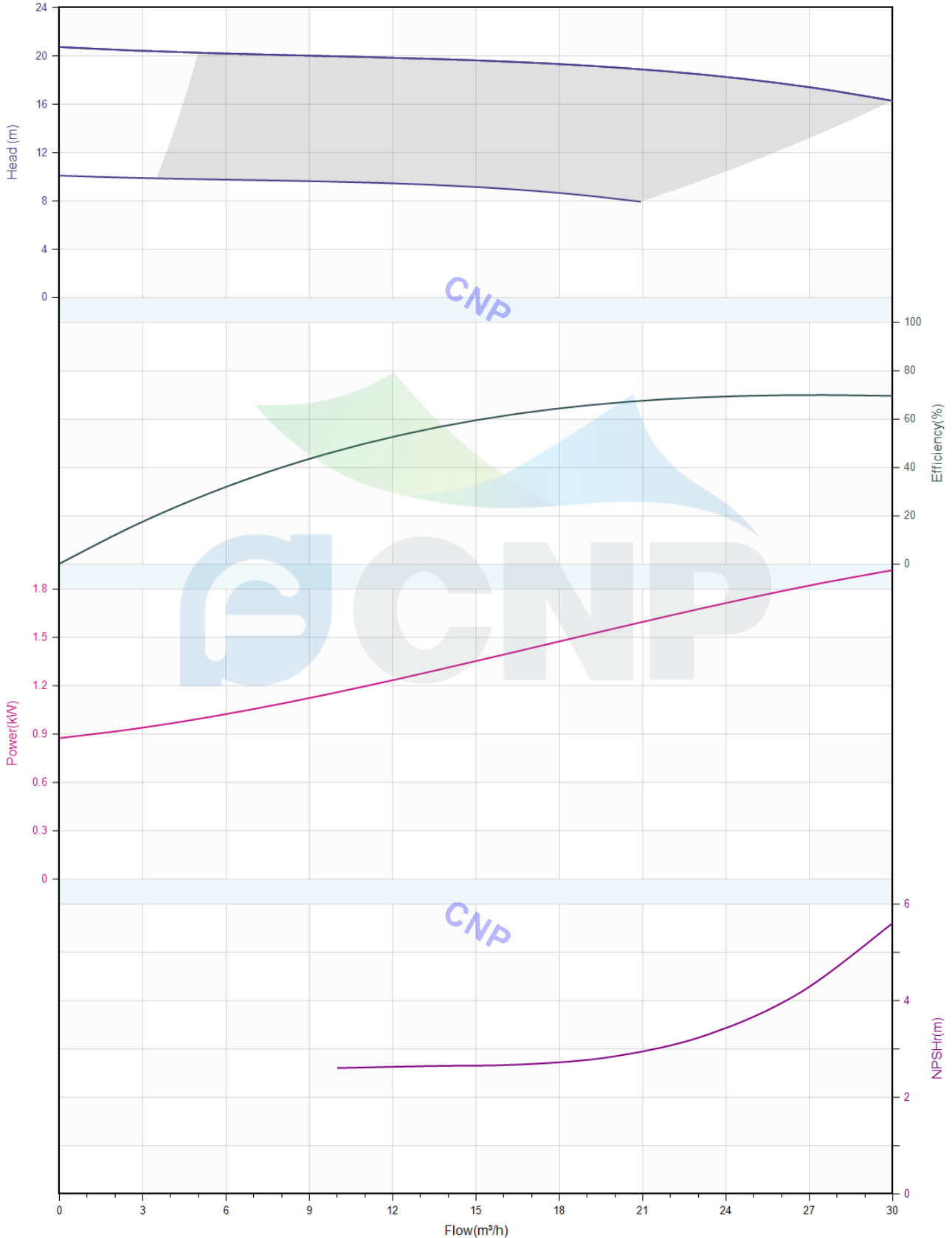
Performance Curve TD50-18G/2

Manufacturer	CNP
Address	Yuhang District, Hangzhou,
Contact	86-571-88637351
Date	2022/03/08
Client Name	DPA
Client Addr.	
Contacts	Alireza
Contact	

Project Name

Station Number

Medium Name Clear Water , Temperature 20°C, Density 1000kg/m³, Viscosity 1mm²/s, (ISO99062012 Grande 3B)





Pump technical parameters TD50-18G/2

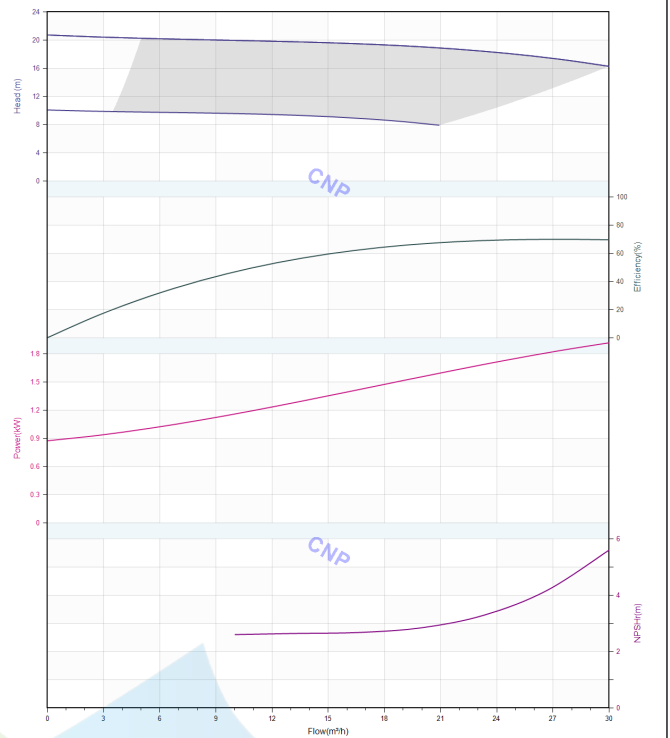
Manufacturer	CNP
Address	Yuhang District, Hangzhou,
Contact	86-571-88637351
Date	2022/03/08
Client Name	DPA
Client Addr.	
Contacts	Alireza
Contact	

Rated parameters

Pump model	TD50-18G/2
Product No.	1100087861
Rated flow(m ³ /h)	25
Rated pressure(m)	18
Rated efficiency(%)	65
Power(kW)	1.89
NPSHr(m)	2.5
Speed(rpm)	2900
Max impeller diameter(mm)	129

Medium

Medium Name	Clear Water
Working temperature(°C)	20
Medium density(kg/m ³)	1000
Viscosity(mm ² /s)	1

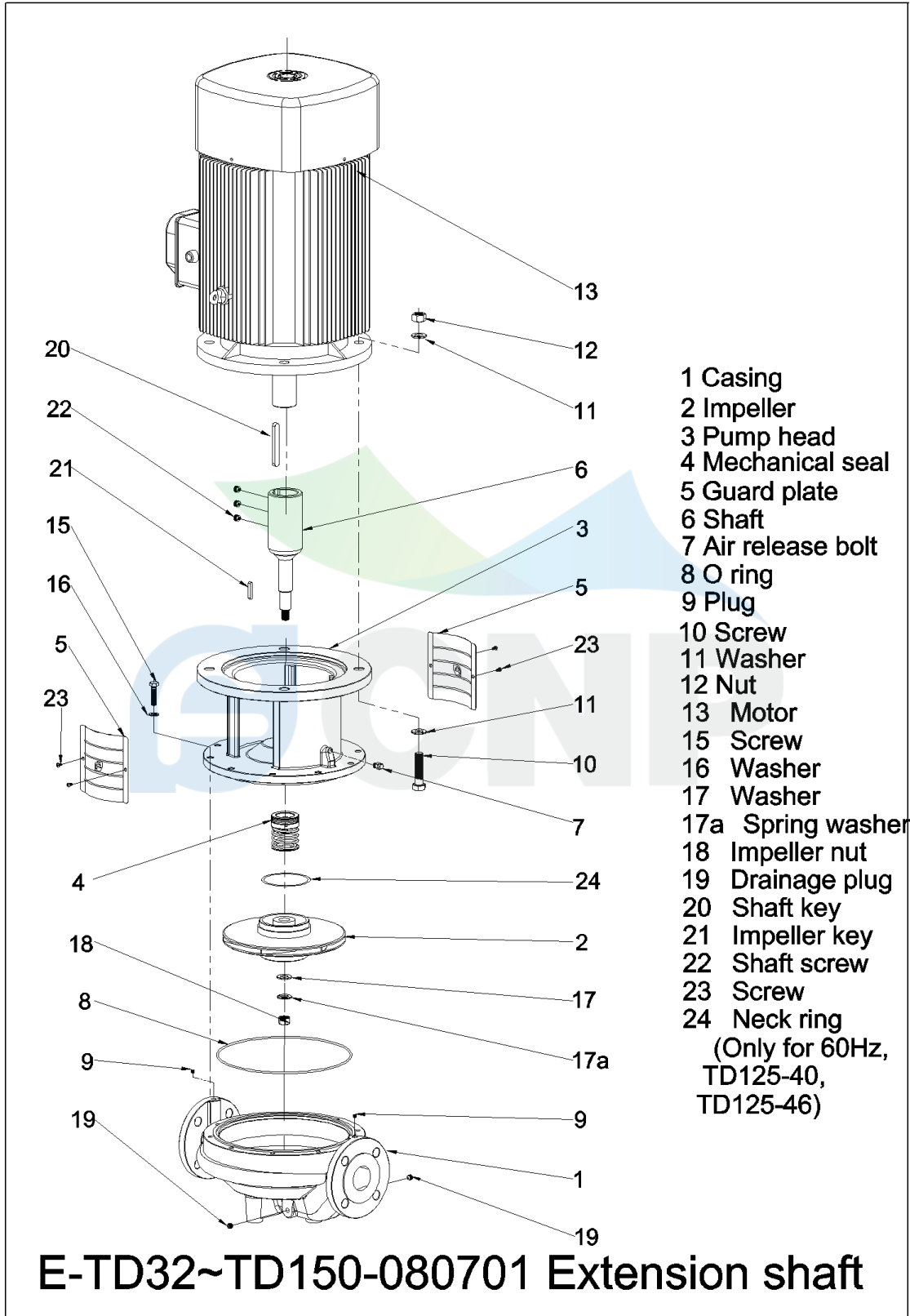




Structure picture
TD50-18G/2

Manufacturer	CNP
Address	Yuhang District, Hangzhou,
Contact	86-571-88637351
Date	2022/03/08
Client Name	DPA
Client Addr.	
Contacts	Alireza
Contact	

Project Name	
Station Number	





Size picture
TD50-18G/2

Manufacturer	CNP
Address	Yuhang District, Hangzhou,
Contact	86-571-88637351
Date	2022/03/08
Client Name	DPA
Client Addr.	
Contacts	Alireza
Contact	

Project Name

Station Number

