	Product Information TD40-16/2	Manufacturer	CNP
		Address	
		Telephone	400-826-7722
		Date	3/8/2022
		Client Name	DPA
Project Name	Demo	Client Addr.	
Item Number	001	Contact Name	Alireza
		Telephone	

Product No.: 1100041397

Series description:

Product introduction

Single stage in-line centrifugal pumps, inlet and outlet are horizontal with top side pulled out structure and can be repaired without removing the pipelines.

Performance and advantages

Compact structure

Maintenance convenience

Low noise

Both cast iron and stainless steel impeller are available

Application range

Industrial systems

Water supply systems

Rated Parameter (Max Dia)

Flow(m ³ /h)	12.5
Height(m)	16
Eff(%)	60
Power(kW)	0.91
NPSHr(m)	2.5
Impeller Dia	119
Speed(rpm)	2900

technology

Pump rotator speed	2900
Pump version	Extension shaft

Material

Impeller	HT200
Pump body	HT200
Rubber code	NBR

Installation

Connection Code	F
Installation type	
Maximum Operation Pressure:	PN12

Medium

Medium Temperature	-15~110
--------------------	---------

Structure dimension

Inlet & outlet size types:	DN
Inlet & Outlet size	40
Rotation Direction	Clockwise rotation viewed from motor end

Motor

Number of Motor Phase	Three Phase
Protection Class	IP55
Insulation Class	F
Motor Power	1.1
Power Frequency	50Hz
Rated Voltage (V)	380V
Energy Efficiency Level	IE3

Seal

Mechanical Seal	TD-28/B2SE4
-----------------	-------------



Product Information
TD40-16/2

Manufacturer	CNP
Address	
Telephone	400-826-7722
Date	3/8/2022
Client Name	DPA
Client Addr.	
Contact Name	Alireza
Telephone	

Project Name	Demo
Item Number	001

Others:

Weight (kg) 40

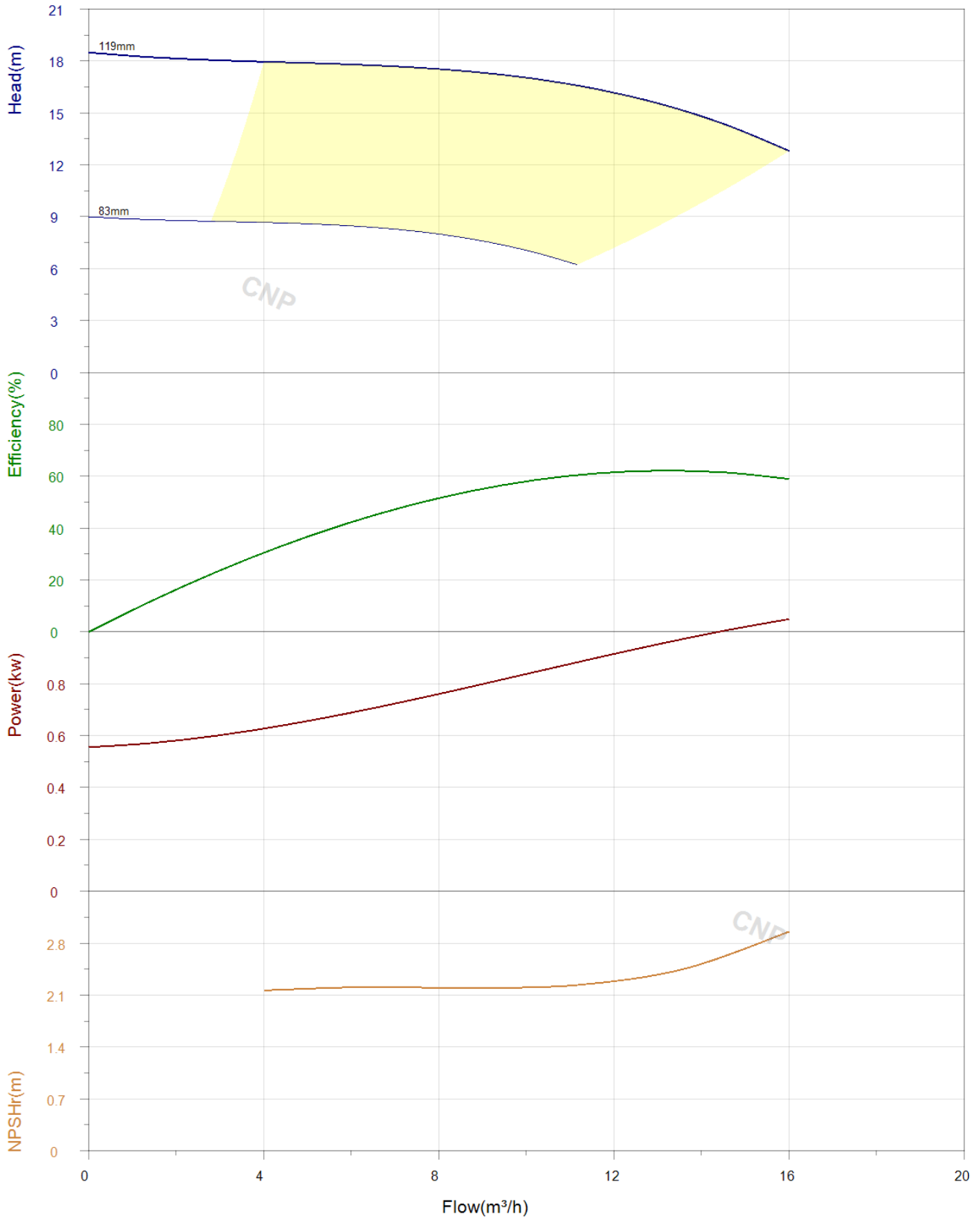


Performance Curve TD40-16/2

Manufacturer	CNP
Address	
Telephone	400-826-7722
Date	3/8/2022
Client Name	DPA
Client Addr.	
Contact Name	Alireza
Telephone	

Project Name	Demo
Item Number	001

Medium Name: Clear Water, Temperature: 20, Density: 1000kg/m³, Viscosity: 1mm²/s





Technical parameters TD40-16/2

Manufacturer	CNP
Address	
Telephone	400-826-7722
Date	3/8/2022
Client Name	DPA
Client Addr.	
Contact Name	Alireza
Telephone	

Project Name	Demo
Item Number	001

Rated parameters

Pump model	TD40-16/2
Product No.	1100041397
Rated speed(r/min)	2900

Design point parameters

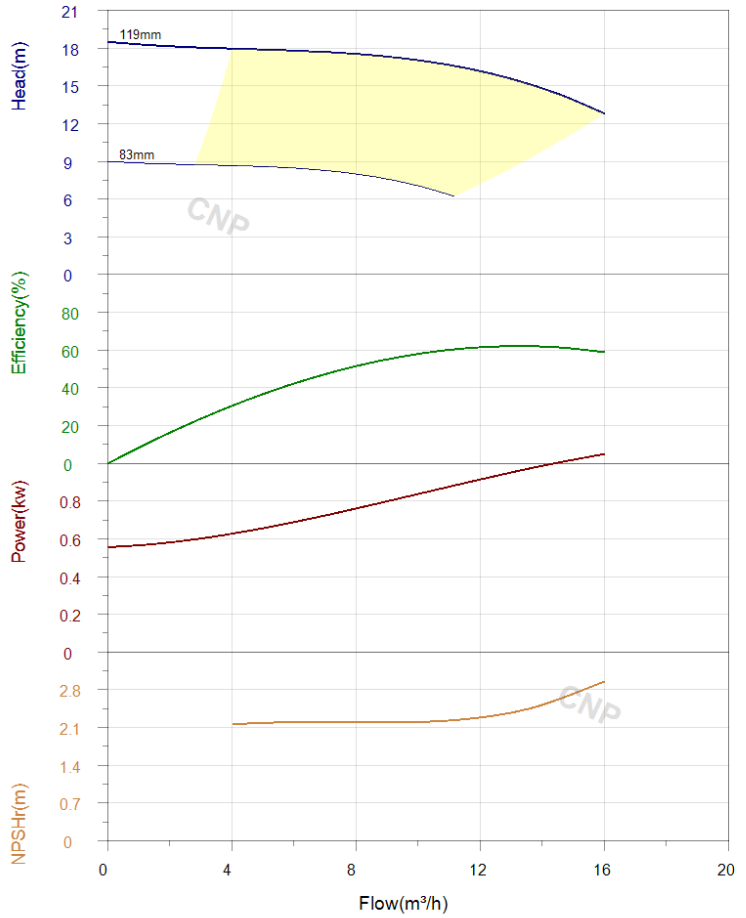
Flow(m ³ /h)	
Head(m)	
Static head(m)	0

Operating point parameters

Flow(m ³ /h)	
Head(m)	
Efficiency(%)	
Power(kW)	
Speed	
Impeller Diameter(mm)	119.00

Medium

Medium Name	Clear Water
Working temperature(°C)	20
Medium density(kg/m ³)	1000
Viscosity(mm ² /s)	1





Product information

TD40-16/2

Manufacturer	CNP
Address	
Telephone	400-826-7722
Date	3/8/2022
Client Name	DPA
Client Addr.	
Contact Name	Alireza
Telephone	

Project Name	Demo
Item Number	001

Description Value

General information

Product model	TD40-16/2
Product No.	1100041397

Rated Paramter (Max Dia)

Flow(m ³ /h)	12.5
Height(m)	16
Eff(%)	60
Power(kW)	0.91
NPSHr(m)	2.5
Impeller Dia	119
Speed(rpm)	2900

technology

Pump rotator speed	2900
Pump version	Extension shaft

Material

Impeller	HT200
Pump body	HT200
Rubber code	NBR

Installation

Connection Code	F
Installation type	
Maximum Operation Pressure: PN12	

Medium

Medium Temperature	-15~110
--------------------	---------

Structure dimension

Inlet & outlet size types: DN	
Inlet & Outlet size	40
Rotation Direction	Clockwise rotation viewed from motor end

Motor

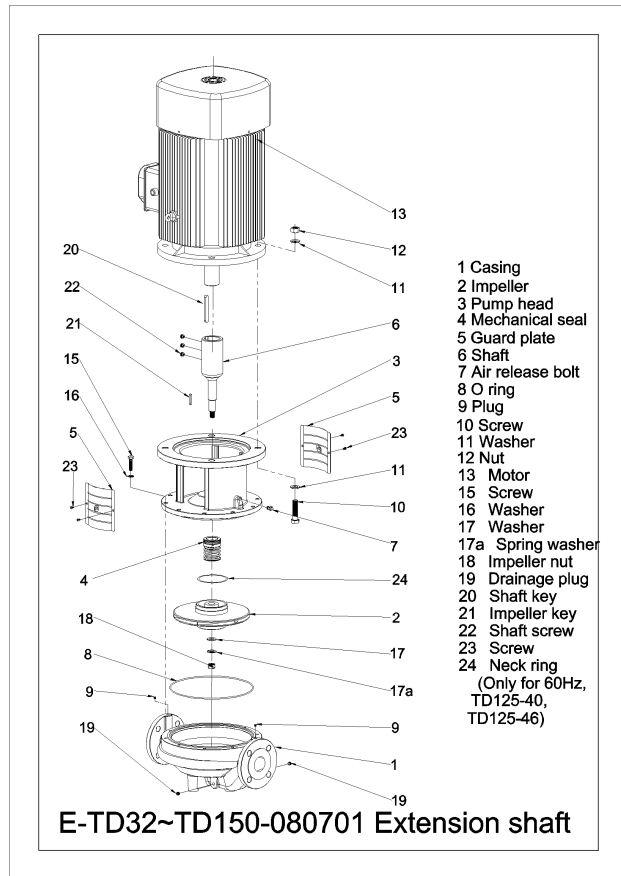
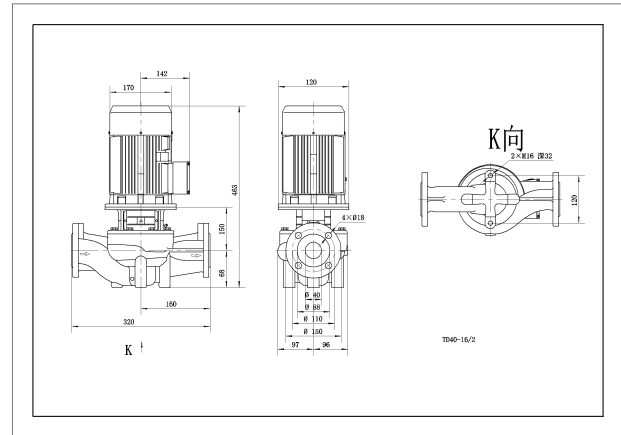
Number of Motor Phase	Three Phase
Protection Class	IP55
Insulation Class	F
Motor Power	1.1
Power Frequency	50Hz
Rated Voltage (V)	380V
Energy Efficiency Level	IE3

Seal

Mechanical Seal	TD-28/B2SE4
-----------------	-------------

Others

Weight (kg)	40
-------------	----

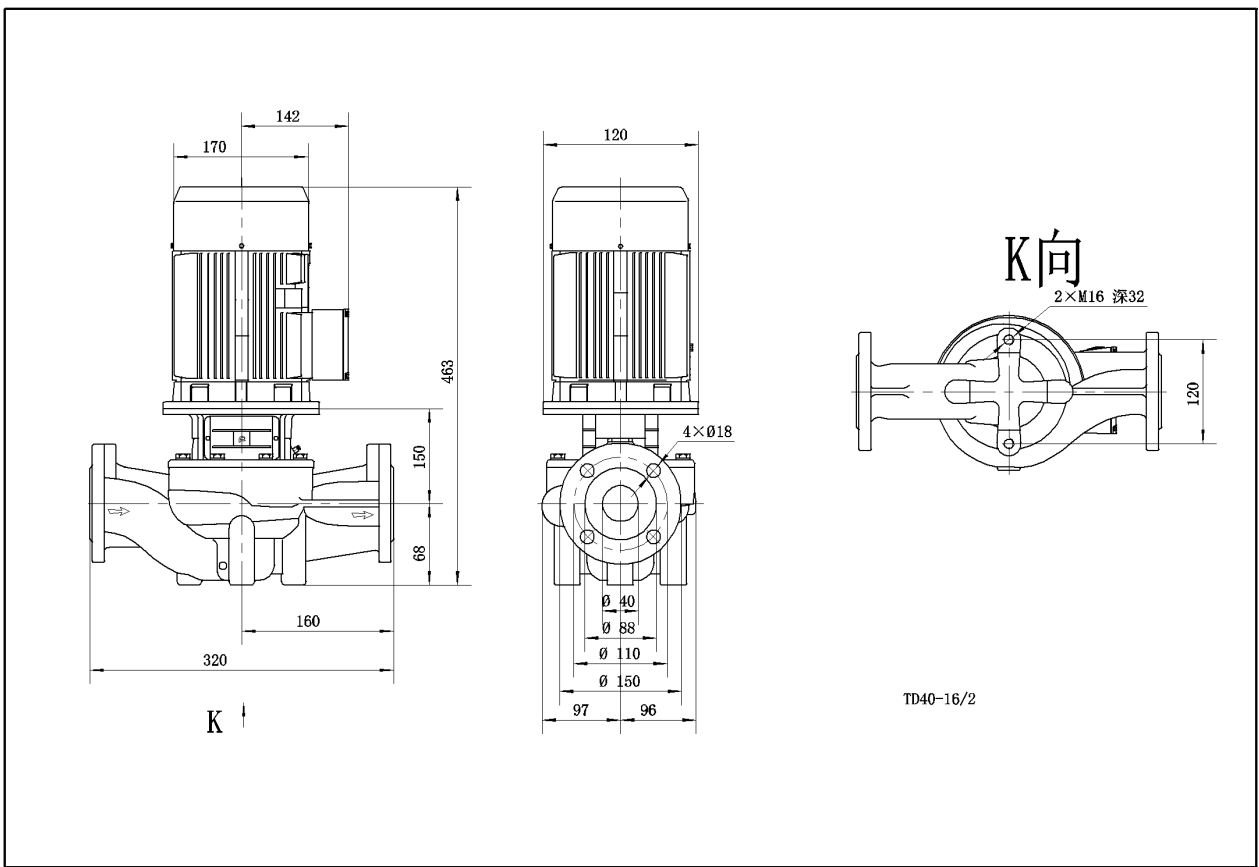




Dimensional Drawing TD40-16/2

Manufacturer	CNP
Address	
Telephone	400-826-7722
Date	3/8/2022
Client Name	DPA
Client Addr.	
Contact Name	Alireza
Telephone	

Project Name	Demo
Item Number	001





Model Drawing TD40-16/2

Manufacturer	CNP
Address	
Telephone	400-826-7722
Date	3/8/2022
Client Name	DPA
Client Addr.	
Contact Name	Alireza
Telephone	

Project Name	Demo
Item Number	001

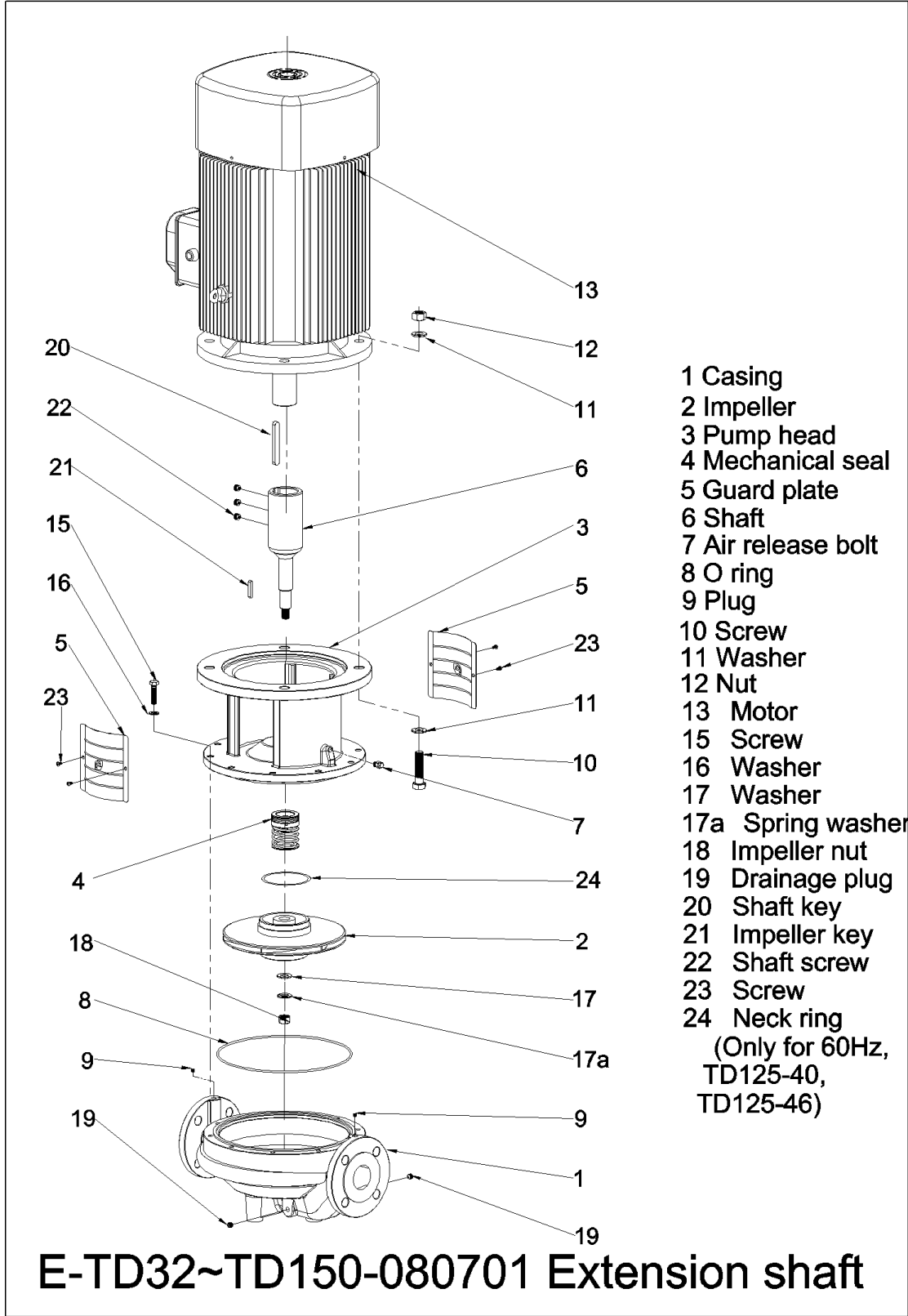




Structure Drawing TD40-16/2

Manufacturer	CNP
Address	
Telephone	400-826-7722
Date	3/8/2022
Client Name	DPA
Client Addr.	
Contact Name	Alireza
Telephone	

Project Name	Demo
Item Number	001



- 1 Casing
 - 2 Impeller
 - 3 Pump head
 - 4 Mechanical seal
 - 5 Guard plate
 - 6 Shaft
 - 7 Air release bolt
 - 8 O ring
 - 9 Plug
 - 10 Screw
 - 11 Washer
 - 12 Nut
 - 13 Motor
 - 15 Screw
 - 16 Washer
 - 17 Washer
 - 17a Spring washer
 - 18 Impeller nut
 - 19 Drainage plug
 - 20 Shaft key
 - 21 Impeller key
 - 22 Shaft screw
 - 23 Screw
 - 24 Neck ring
- (Only for 60Hz,
TD125-40,
TD125-46)

E-TD32~TD150-080701 Extension shaft



Order data
TD40-16/2

Manufacturer	CNP
Address	
Telephone	400-826-7722
Date	3/8/2022
Client Name	DPA
Client Addr.	
Contact Name	Alireza
Telephone	

Project Name	Demo
Item Number	001

Pump model: TD40-16/2
Product No.: 1100041397
Product price:
Product quantity: 1

Total: inquiry:

Inquiry notes: