


| | | | |
|--|---|--------------|--------------|
|  | Product Information TD32-33G/2 | Manufacturer | CNP |
| | | Address | |
| | | Telephone | 400-826-7722 |
| | | Date | 3/8/2022 |
| | | Client Name | DPA |
| Project Name | Demo | Client Addr. | |
| Item Number | 001 | Contact Name | Alireza |
| | | Telephone | |

Product No.: 1100087765

Series description:

Product introduction

Single stage in-line centrifugal pumps, inlet and outlet are horizontal with top side pulled out structure and can be repaired without removing the pipelines.

Performance and advantages

Compact structure

Maintenance convenience

Low noise

Both cast iron and stainless steel impeller are available

Application range

Industrial systems

Water supply systems

Rated Parameter (Max Dia)

| | |
|-------------------------|------|
| Flow(m ³ /h) | 12.5 |
| Height(m) | 33 |
| Eff(%) | 56 |
| Power(kW) | 2.01 |
| NPSHr(m) | 2.5 |
| Impeller Dia | 160 |
| Speed(rpm) | 2900 |

technology

| | |
|--------------------|-----------------|
| Pump rotator speed | 2900 |
| Pump version | Extension shaft |

Material

| | |
|-------------|-------|
| Impeller | HT200 |
| Pump body | HT200 |
| Rubber code | NBR |

Installation

| | |
|-----------------------------|------|
| Connection Code | F |
| Installation type | |
| Maximum Operation Pressure: | PN12 |

Medium

| | |
|--------------------|---------|
| Medium Temperature | -15~110 |
|--------------------|---------|

Structure dimension

| | |
|----------------------------|--|
| Inlet & outlet size types: | DN |
| Inlet & Outlet size | 32 |
| Rotation Direction | Clockwise rotation viewed from motor end |

Motor

| | |
|-------------------------|-------------|
| Number of Motor Phase | Three Phase |
| Protection Class | IP55 |
| Insulation Class | F |
| Motor Power | 3 |
| Power Frequency | 50Hz |
| Rated Voltage (V) | 380V |
| Energy Efficiency Level | IE3 |

Seal

| | |
|-----------------|-------------|
| Mechanical Seal | TDS-28/BSE4 |
|-----------------|-------------|



Product Information
TD32-33G/2

| | |
|--------------|--------------|
| Manufacturer | CNP |
| Address | |
| Telephone | 400-826-7722 |
| Date | 3/8/2022 |
| Client Name | DPA |
| Client Addr. | |
| Contact Name | Alireza |
| Telephone | |

| | |
|--------------|------|
| Project Name | Demo |
| Item Number | 001 |

Others:

Weight (kg) 52

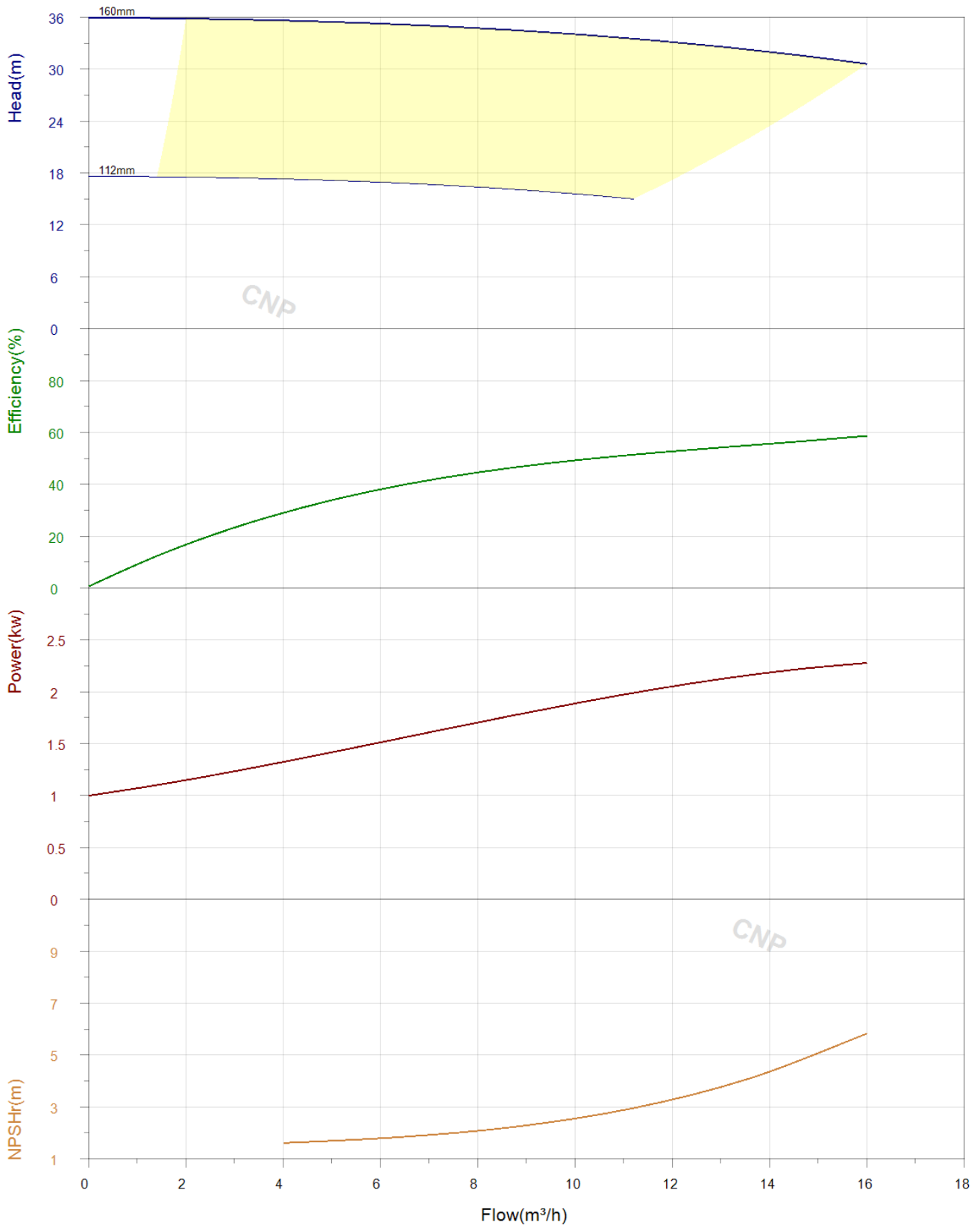


Performance Curve TD32-33G/2

| | |
|--------------|--------------|
| Manufacturer | CNP |
| Address | |
| Telephone | 400-826-7722 |
| Date | 3/8/2022 |
| Client Name | DPA |
| Client Addr. | |
| Contact Name | Alireza |
| Telephone | |

| | |
|--------------|------|
| Project Name | Demo |
| Item Number | 001 |

Medium Name: Clear Water, Temperature: 20, Density: 1000kg/m³, Viscosity: 1mm²/s



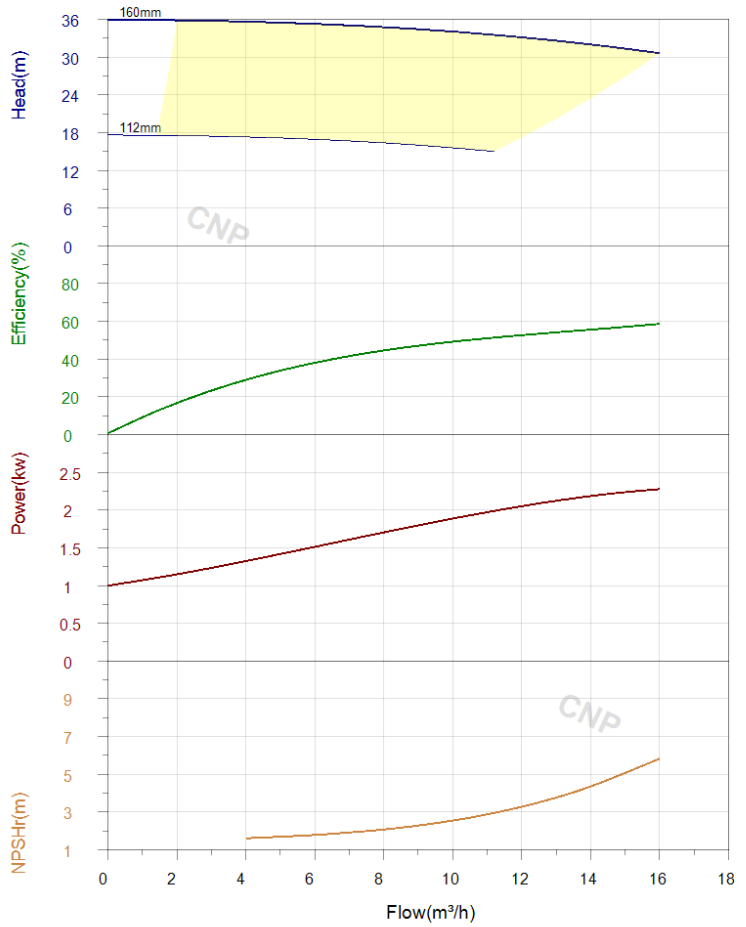


Technical parameters TD32-33G/2

| | |
|--------------|--------------|
| Manufacturer | CNP |
| Address | |
| Telephone | 400-826-7722 |
| Date | 3/8/2022 |
| Client Name | DPA |
| Client Addr. | |
| Contact Name | Alireza |
| Telephone | |

| | |
|--------------|------|
| Project Name | Demo |
| Item Number | 001 |

| Rated parameters | |
|----------------------------|-------------|
| Pump model | TD32-33G/2 |
| Product No. | 1100087765 |
| Rated speed(r/min) | 2900 |
| | |
| Design point parameters | |
| Flow(m³/h) | |
| Head(m) | |
| Static head(m) | 0 |
| | |
| Operating point parameters | |
| Flow(m³/h) | |
| Head(m) | |
| Efficiency(%) | |
| Power(kW) | |
| Speed | |
| Impeller Diameter(mm) | 160.00 |
| | |
| Medium | |
| Medium Name | Clear Water |
| Working temperature(°C) | 20 |
| Medium density(kg/m³) | 1000 |
| Viscosity(mm²/s) | 1 |





Product information

TD32-33G/2

| | |
|--------------|--------------|
| Manufacturer | CNP |
| Address | |
| Telephone | 400-826-7722 |
| Date | 3/8/2022 |
| Client Name | DPA |
| Client Addr. | |
| Contact Name | Alireza |
| Telephone | |

| | |
|--------------|------|
| Project Name | Demo |
| Item Number | 001 |

Description

General information

| | |
|---------------|------------|
| Product model | TD32-33G/2 |
| Product No. | 1100087765 |

Rated Paramter (Max Dia)

| | |
|-------------------------|------|
| Flow(m ³ /h) | 12.5 |
| Height(m) | 33 |
| Eff(%) | 56 |
| Power(kW) | 2.01 |
| NPSHr(m) | 2.5 |
| Impeller Dia | 160 |
| Speed(rpm) | 2900 |

technology

| | |
|--------------------|-----------------|
| Pump rotator speed | 2900 |
| Pump version | Extension shaft |

Material

| | |
|-------------|-------|
| Impeller | HT200 |
| Pump body | HT200 |
| Rubber code | NBR |

Installation

| | |
|----------------------------------|---|
| Connection Code | F |
| Installation type | |
| Maximum Operation Pressure: PN12 | |

Medium

| | |
|--------------------|---------|
| Medium Temperature | -15~110 |
|--------------------|---------|

Structure dimension

| | |
|-------------------------------|--|
| Inlet & outlet size types: DN | |
| Inlet & Outlet size | 32 |
| Rotation Direction | Clockwise rotation viewed from motor end |

Motor

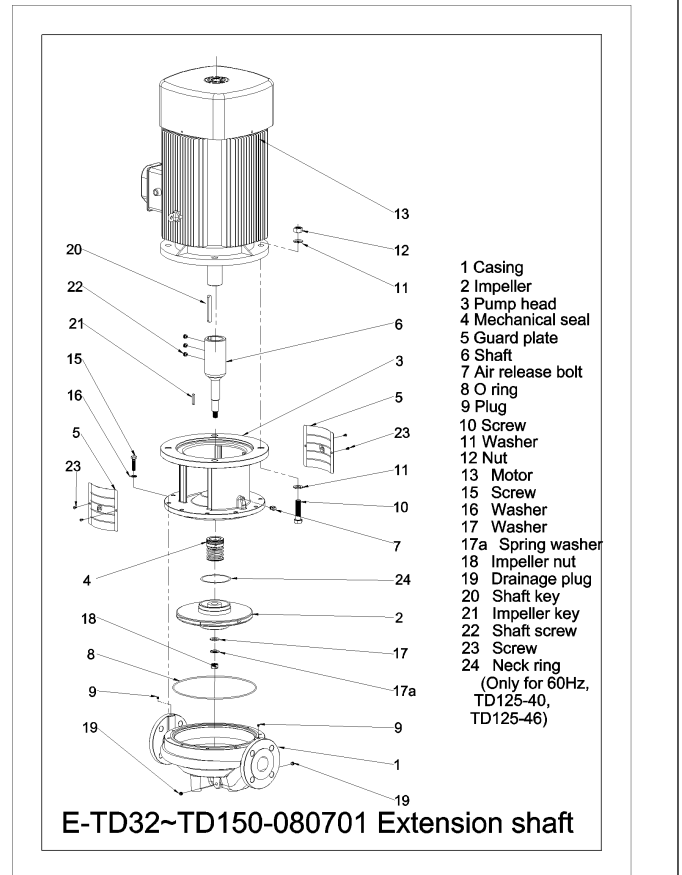
| | |
|-------------------------|-------------|
| Number of Motor Phase | Three Phase |
| Protection Class | IP55 |
| Insulation Class | F |
| Motor Power | 3 |
| Power Frequency | 50Hz |
| Rated Voltage (V) | 380V |
| Energy Efficiency Level | IE3 |

Seal

| | |
|-----------------|-------------|
| Mechanical Seal | TDS-28/BSE4 |
|-----------------|-------------|

Others

| | |
|-------------|----|
| Weight (kg) | 52 |
|-------------|----|





Model Drawing TD32-33G/2

| | |
|--------------|--------------|
| Manufacturer | CNP |
| Address | |
| Telephone | 400-826-7722 |
| Date | 3/8/2022 |
| Client Name | DPA |
| Client Addr. | |
| Contact Name | Alireza |
| Telephone | |

| | |
|--------------|------|
| Project Name | Demo |
| Item Number | 001 |

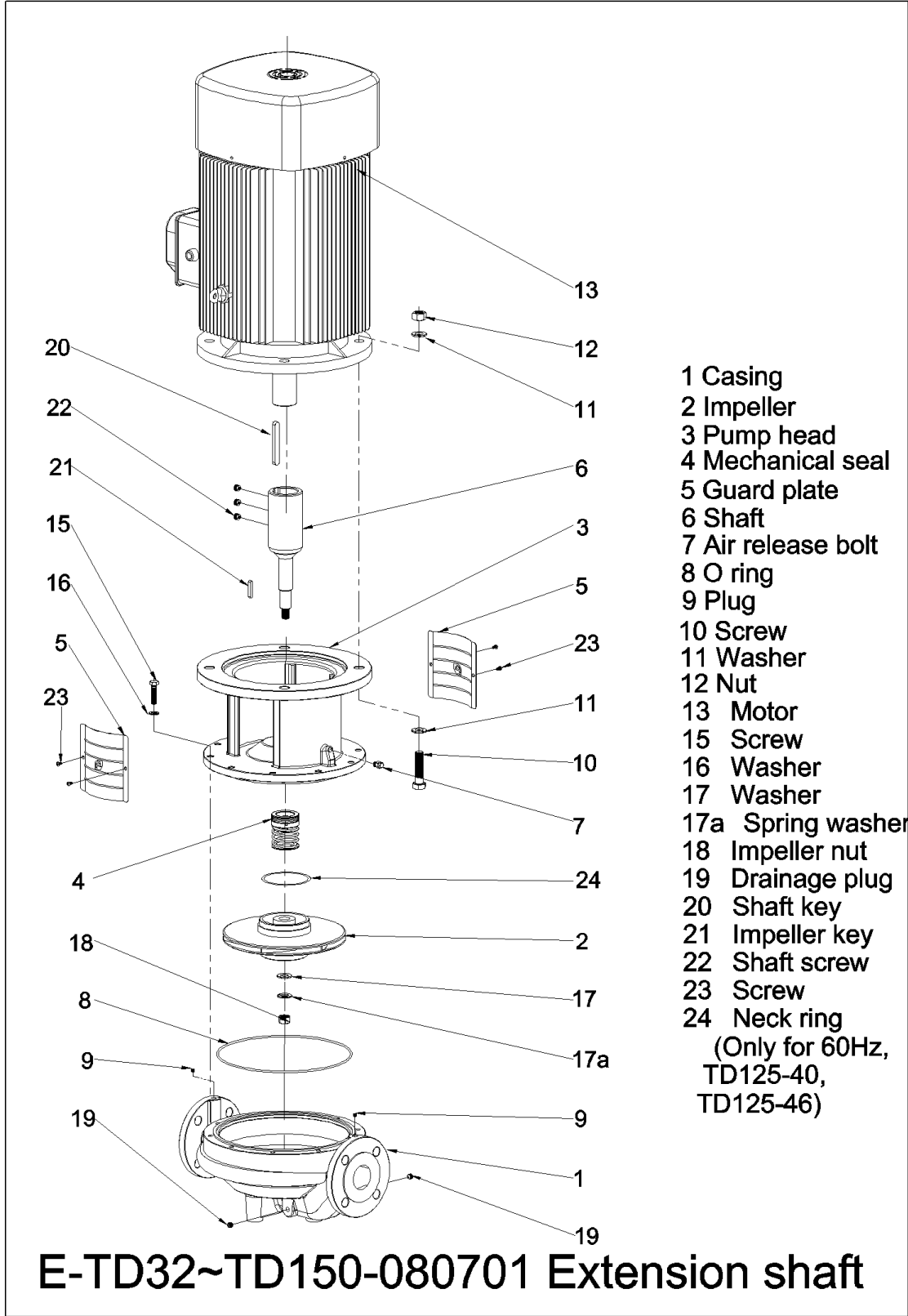




Structure Drawing TD32-33G/2

| | |
|--------------|--------------|
| Manufacturer | CNP |
| Address | |
| Telephone | 400-826-7722 |
| Date | 3/8/2022 |
| Client Name | DPA |
| Client Addr. | |
| Contact Name | Alireza |
| Telephone | |

| | |
|--------------|------|
| Project Name | Demo |
| Item Number | 001 |



- 1 Casing
 - 2 Impeller
 - 3 Pump head
 - 4 Mechanical seal
 - 5 Guard plate
 - 6 Shaft
 - 7 Air release bolt
 - 8 O ring
 - 9 Plug
 - 10 Screw
 - 11 Washer
 - 12 Nut
 - 13 Motor
 - 15 Screw
 - 16 Washer
 - 17 Washer
 - 17a Spring washer
 - 18 Impeller nut
 - 19 Drainage plug
 - 20 Shaft key
 - 21 Impeller key
 - 22 Shaft screw
 - 23 Screw
 - 24 Neck ring
- (Only for 60Hz,
TD125-40,
TD125-46)

E-TD32~TD150-080701 Extension shaft



Order data
TD32-33G/2

| | |
|--------------|--------------|
| Manufacturer | CNP |
| Address | |
| Telephone | 400-826-7722 |
| Date | 3/8/2022 |
| Client Name | DPA |
| Client Addr. | |
| Contact Name | Alireza |
| Telephone | |

| | |
|--------------|------|
| Project Name | Demo |
| Item Number | 001 |

Pump model: TD32-33G/2
Product No.: 1100087765
Product price:
Product quantity: 1

Total: inquiry: _____

Inquiry notes: