



# Product Information

## TD32-21/2

Manufacturer	CNP
Address	
Telephone	400-826-7722
Date	3/8/2022
Client Name	DPA
Client Addr.	
Contact Name	Alireza
Telephone	

Project Name	Demo
Item Number	001

Product No.:	1100041279
Series description:	

**Product introduction**

Single stage in-line centrifugal pumps, inlet and outlet are horizontal with top side pulled out structure and can be repaired without removing the pipelines.

**Performance and advantages**

Compact structure  
Maintenance convenience  
Low noise  
Both cast iron and stainless steel impeller are available

**Application range**

Industrial systems  
Water supply systems

### Rated Parameter (Max Dia)

Flow(m³/h)	12.5
Height(m)	21
Eff(%)	54
Power(kW)	1.32
NPSHr(m)	2.5
Impeller Dia	136
Speed(rpm)	2900

### technology

Pump rotator speed	2900
Pump version	Extension shaft

### Material

Impeller	HT200
Pump body	HT200
Rubber code	NBR

### Installation

Connection Code	F
Installation type	
Maximum Operation Pressure:	PN12

### Medium

Medium Temperature	-15~110
--------------------	---------

### Structure dimension

Inlet & outlet size types:	DN
Inlet & Outlet size	32
Rotation Direction	Clockwise rotation viewed from motor end

### Motor

Number of Motor Phase	Three Phase
Protection Class	IP55
Insulation Class	F
Motor Power	1.5
Power Frequency	50Hz
Rated Voltage (V)	380V
Energy Efficiency Level	IE3

### Seal

Mechanical Seal	TD-28/B2SE4
-----------------	-------------



**Product Information**  
**TD32-21/2**

Manufacturer	CNP
Address	
Telephone	400-826-7722
Date	3/8/2022
Client Name	DPA
Client Addr.	
Contact Name	Alireza
Telephone	

Project Name	Demo
Item Number	001

Others:

Weight (kg)                      56

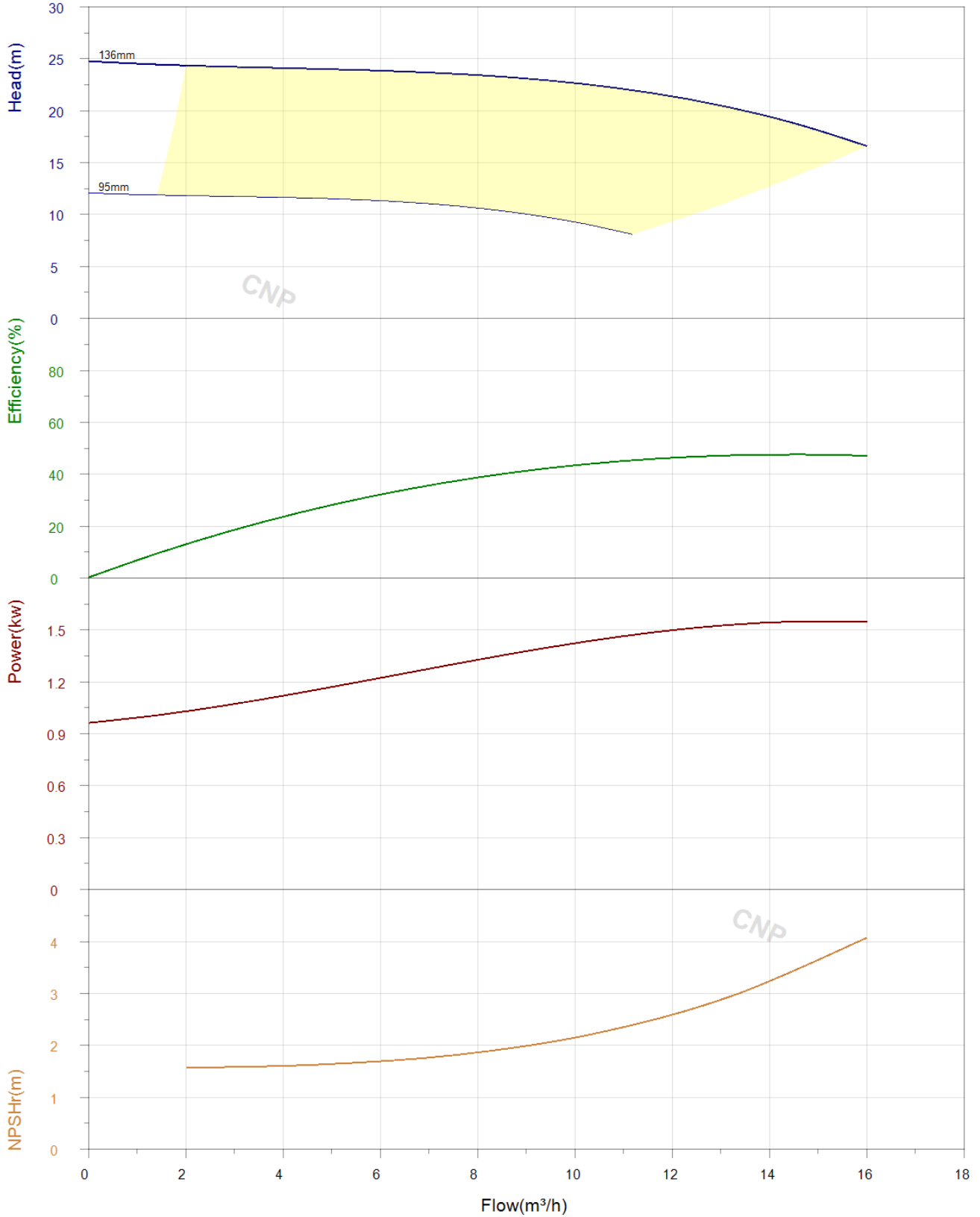


# Performance Curve TD32-21/2

Manufacturer	CNP
Address	
Telephone	400-826-7722
Date	3/8/2022
Client Name	DPA
Client Addr.	
Contact Name	Alireza
Telephone	

Project Name	Demo
Item Number	001

Medium Name: Clear Water, Temperature: 20, Density: 1000kg/m<sup>3</sup>, Viscosity: 1mm<sup>2</sup>/s



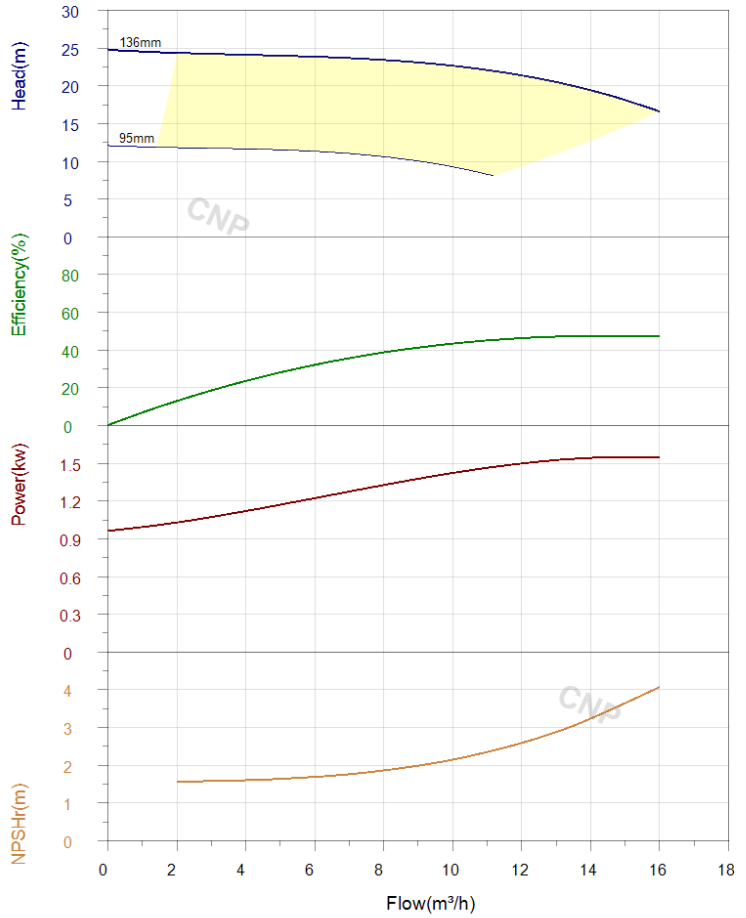


## Technical parameters TD32-21/2

Manufacturer	CNP
Address	
Telephone	400-826-7722
Date	3/8/2022
Client Name	DPA
Client Addr.	
Contact Name	Alireza
Telephone	

Project Name	Demo
Item Number	001

Rated parameters	
Pump model	TD32-21/2
Product No.	1100041279
Rated speed(r/min)	2900
Design point parameters	
Flow(m³/h)	
Head(m)	
Static head(m)	0
Operating point parameters	
Flow(m³/h)	
Head(m)	
Efficiency(%)	
Power(kW)	
Speed	
Impeller Diameter(mm)	136.00
Medium	
Medium Name	Clear Water
Working temperature(°C)	20
Medium density(kg/m³)	1000
Viscosity(mm²/s)	1





## Product information

### TD32-21/2

Manufacturer	CNP
Address	
Telephone	400-826-7722
Date	3/8/2022
Client Name	DPA
Client Addr.	
Contact Name	Alireza
Telephone	

Project Name	Demo
Item Number	001

## Description

### General information

Product model	TD32-21/2
Product No.	1100041279

### Rated Paramter (Max Dia)

Flow(m <sup>3</sup> /h)	12.5
Height(m)	21
Eff(%)	54
Power(kW)	1.32
NPSHr(m)	2.5
Impeller Dia	136
Speed(rpm)	2900

### technology

Pump rotator speed	2900
Pump version	Extension shaft

### Material

Impeller	HT200
Pump body	HT200
Rubber code	NBR

### Installation

Connection Code	F
Installation type	
Maximum Operation Pressure: PN12	

### Medium

Medium Temperature	-15~110
--------------------	---------

### Structure dimension

Inlet & outlet size types: DN	
Inlet & Outlet size	32
Rotation Direction	Clockwise rotation viewed from motor end

### Motor

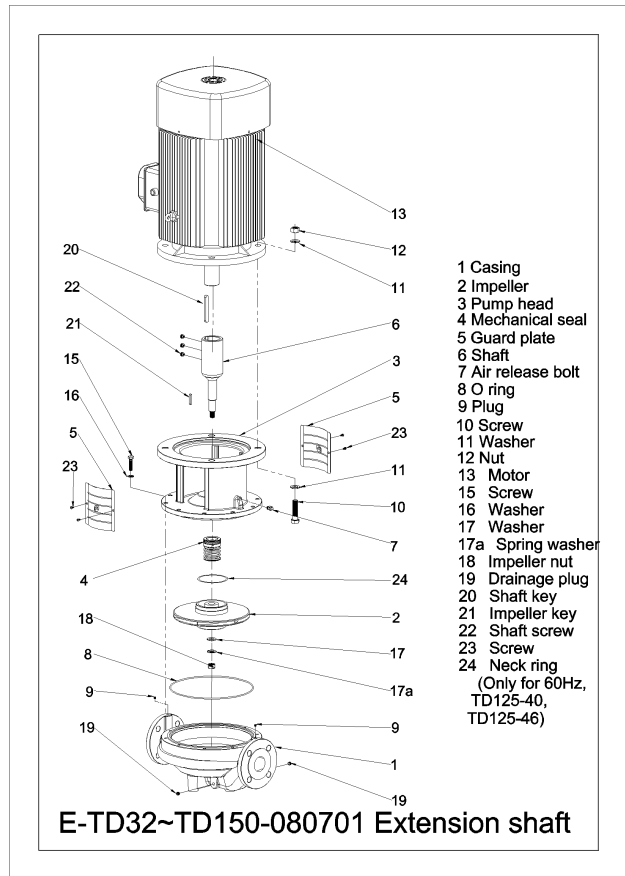
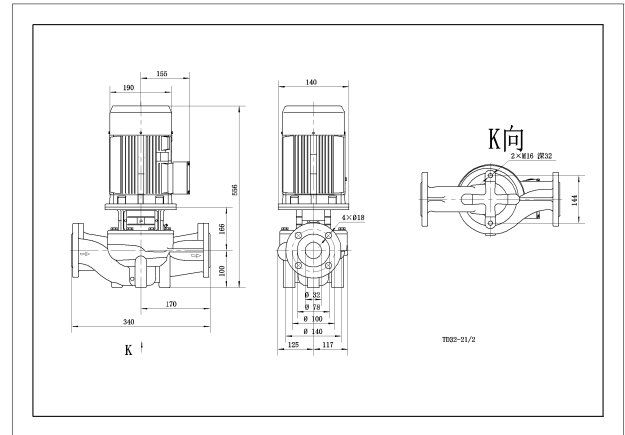
Number of Motor Phase	Three Phase
Protection Class	IP55
Insulation Class	F
Motor Power	1.5
Power Frequency	50Hz
Rated Voltage (V)	380V
Energy Efficiency Level	IE3

### Seal

Mechanical Seal	TD-28/B2SE4
-----------------	-------------

### Others

Weight (kg)	56
-------------	----

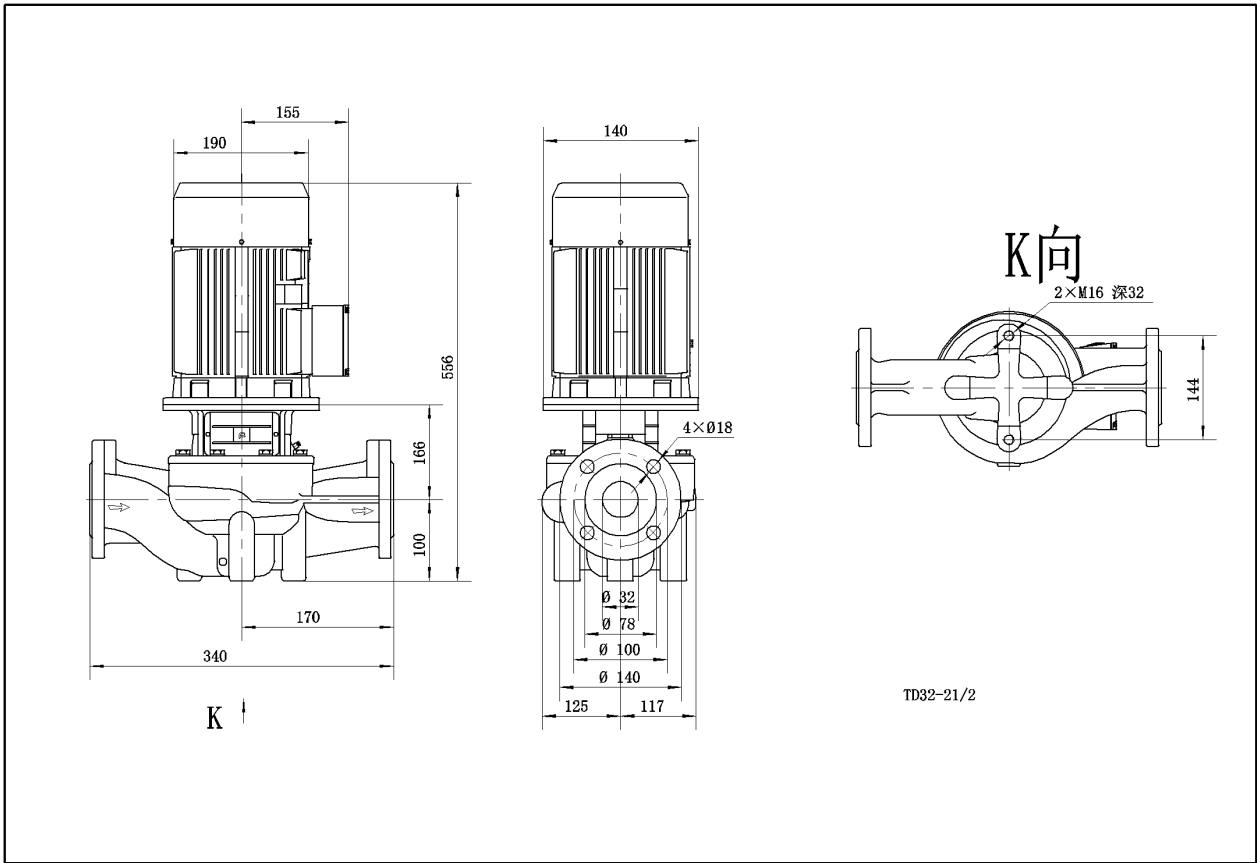




# Dimensional Drawing TD32-21/2

Manufacturer	CNP
Address	
Telephone	400-826-7722
Date	3/8/2022
Client Name	DPA
Client Addr.	
Contact Name	Alireza
Telephone	

Project Name	Demo
Item Number	001



TD32-21/2



# Model Drawing TD32-21/2

Manufacturer	CNP
Address	
Telephone	400-826-7722
Date	3/8/2022
Client Name	DPA
Client Addr.	
Contact Name	Alireza
Telephone	

Project Name	Demo
Item Number	001

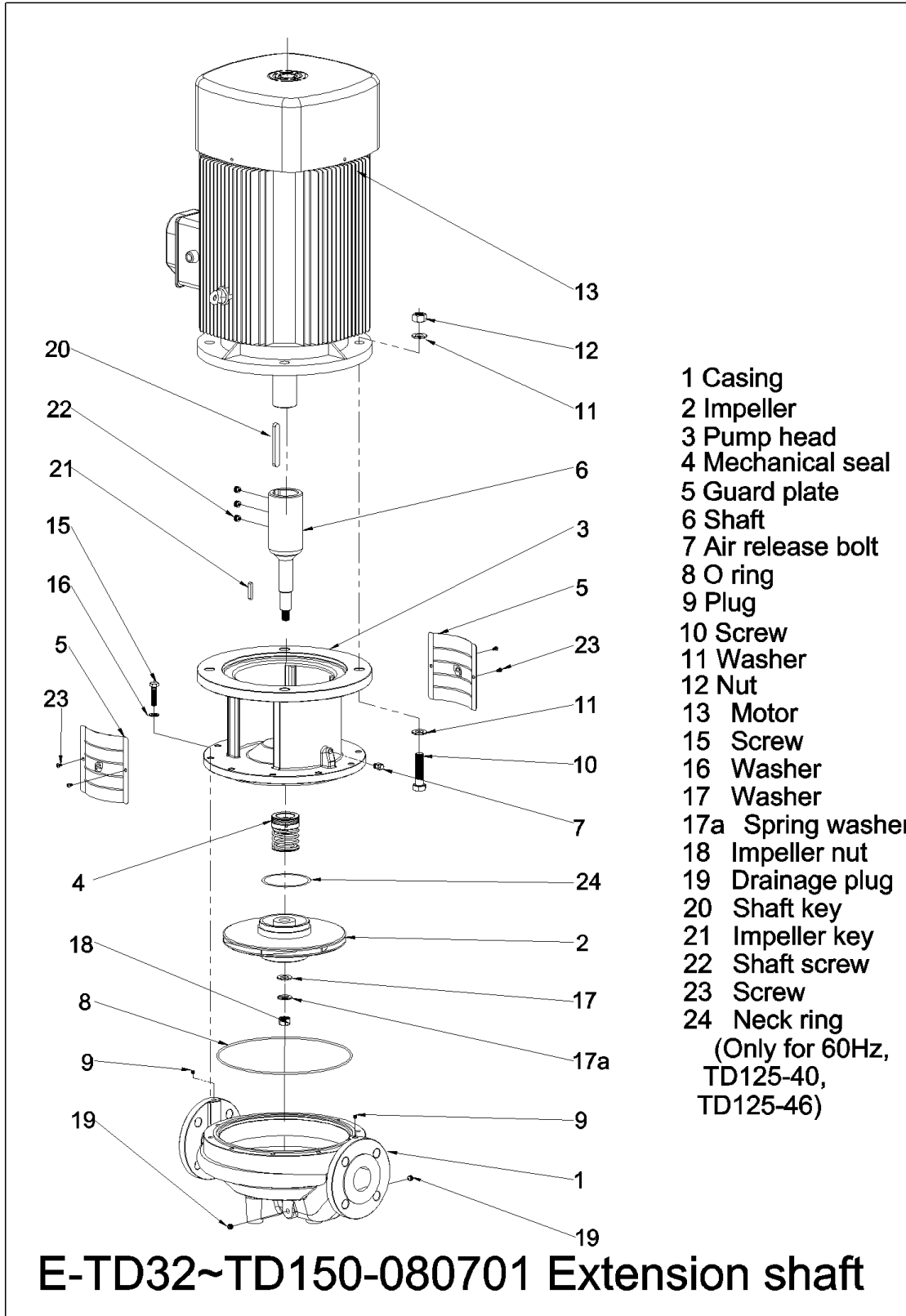




# Structure Drawing TD32-21/2

Manufacturer	CNP
Address	
Telephone	400-826-7722
Date	3/8/2022
Client Name	DPA
Client Addr.	
Contact Name	Alireza
Telephone	

Project Name	Demo
Item Number	001







**Order data**  
**TD32-21/2**

Manufacturer	CNP
Address	
Telephone	400-826-7722
Date	3/8/2022
Client Name	DPA
Client Addr.	
Contact Name	Alireza
Telephone	

Project Name	Demo
Item Number	001

Pump model: TD32-21/2  
Product No.: 1100041279  
Product price:  
Product quantity: 1

Total: inquiry: \_\_\_\_\_

Inquiry notes: