



Product Information

TD32-14G/2

Manufacturer	CNP
Address	
Telephone	400-826-7722
Date	3/8/2022
Client Name	DPA
Client Addr.	
Contact Name	Alireza
Telephone	

Project Name	Demo
Item Number	001

Product No.: 1100113803

Series description:

Product introduction

Single stage in-line centrifugal pumps, inlet and outlet are horizontal with top side pulled out structure and can be repaired without removing the pipelines.

Performance and advantages

- Compact structure
- Maintenance convenience
- Low noise
- Both cast iron and stainless steel impeller are available

Application range

- Industrial systems
- Water supply systems

Rated Parameter (Max Dia)

Flow(m ³ /h)	8
Height(m)	14
Eff(%)	50
Power(kW)	0.61
NPSHr(m)	2.5
Impeller Dia	111
Speed(rpm)	2900

technology

Pump rotator speed	2900
Pump version	Extension shaft

Material

Impeller	HT200
Pump body	HT200
Rubber code	NBR

Installation

Connection Code	F
Installation type	
Maximum Operation Pressure:	PN12

Medium

Medium Temperature	-15~110
--------------------	---------

Structure dimension

Inlet & outlet size types:	DN
Inlet & Outlet size	32
Rotation Direction	Clockwise rotation viewed from motor end

Motor

Number of Motor Phase	Three Phase
Protection Class	IP55
Insulation Class	F
Motor Power	0.75
Power Frequency	50Hz
Rated Voltage (V)	380V
Energy Efficiency Level	IE3

Seal

Mechanical Seal	TDS-28/BSE4
-----------------	-------------



Product Information
TD32-14G/2

Manufacturer	CNP
Address	
Telephone	400-826-7722
Date	3/8/2022
Client Name	DPA
Client Addr.	
Contact Name	Alireza
Telephone	

Project Name

Demo

Item Number

001

Others:

Weight (kg) 33

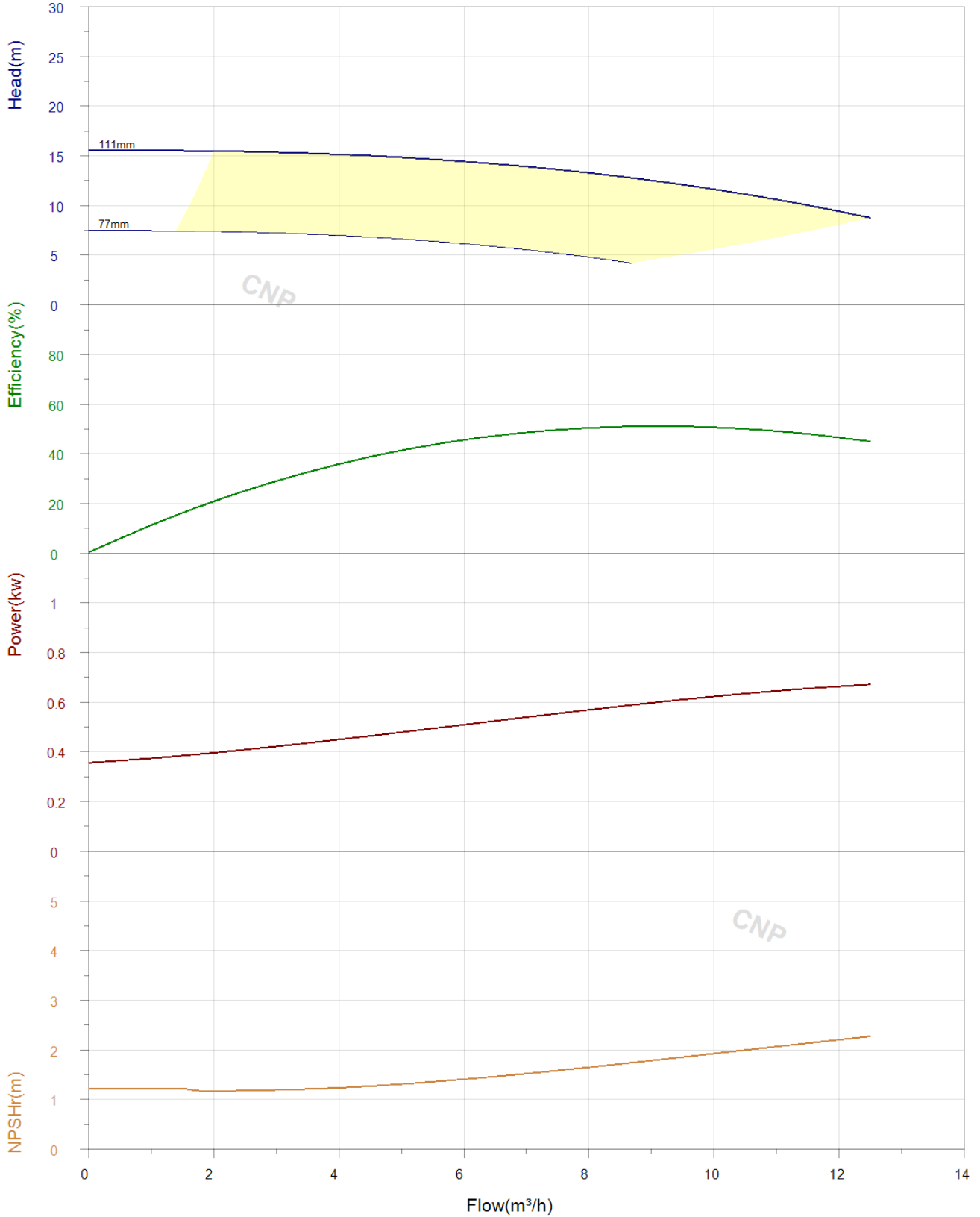


Performance Curve TD32-14G/2

Manufacturer	CNP
Address	
Telephone	400-826-7722
Date	3/8/2022
Client Name	DPA
Client Addr.	
Contact Name	Alireza
Telephone	

Project Name	Demo
Item Number	001

Medium Name: Clear Water, Temperature: 20, Density: 1000kg/m³, Viscosity: 1mm²/s



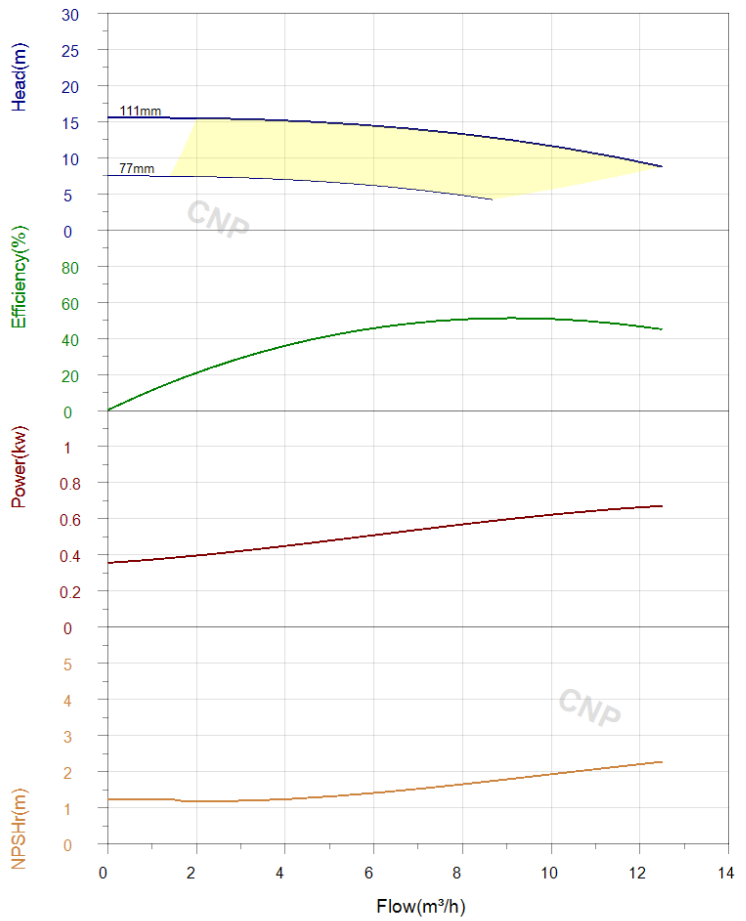


Technical parameters TD32-14G/2

Manufacturer	CNP
Address	
Telephone	400-826-7722
Date	3/8/2022
Client Name	DPA
Client Addr.	
Contact Name	Alireza
Telephone	

Project Name	Demo
Item Number	001

Rated parameters	
Pump model	TD32-14G/2
Product No.	1100113803
Rated speed(r/min)	2900
Design point parameters	
Flow(m³/h)	
Head(m)	
Static head(m)	0
Operating point parameters	
Flow(m³/h)	
Head(m)	
Efficiency(%)	
Power(kW)	
Speed	
Impeller Diameter(mm)	111.00
Medium	
Medium Name	Clear Water
Working temperature(°C)	20
Medium density(kg/m³)	1000
Viscosity(mm²/s)	1





Product information

TD32-14G/2

Manufacturer	CNP
Address	
Telephone	400-826-7722
Date	3/8/2022
Client Name	DPA
Client Addr.	
Contact Name	Alireza
Telephone	

Project Name	Demo
Item Number	001

Description	Value
-------------	-------

General information

Product model	TD32-14G/2
Product No.	1100113803

Rated Paramter (Max Dia)

Flow(m ³ /h)	8
Height(m)	14
Eff(%)	50
Power(kW)	0.61
NPSHr(m)	2.5
Impeller Dia	111
Speed(rpm)	2900

technology

Pump rotator speed	2900
Pump version	Extension shaft

Material

Impeller	HT200
Pump body	HT200
Rubber code	NBR

Installation

Connection Code	F
Installation type	
Maximum Operation Pressure: PN12	

Medium

Medium Temperature	-15~110
--------------------	---------

Structure dimension

Inlet & outlet size types: DN	
Inlet & Outlet size	32
Rotation Direction	Clockwise rotation viewed from motor end

Motor

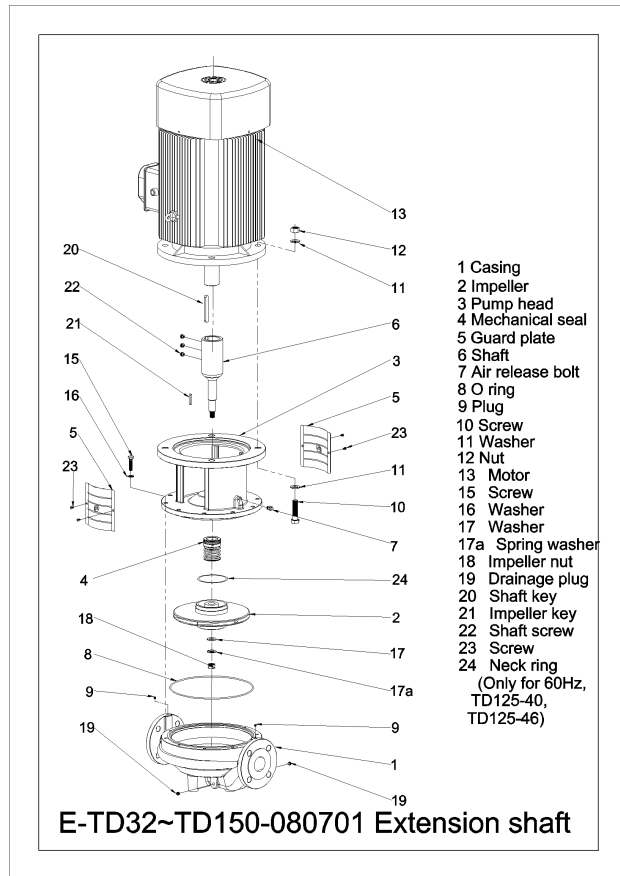
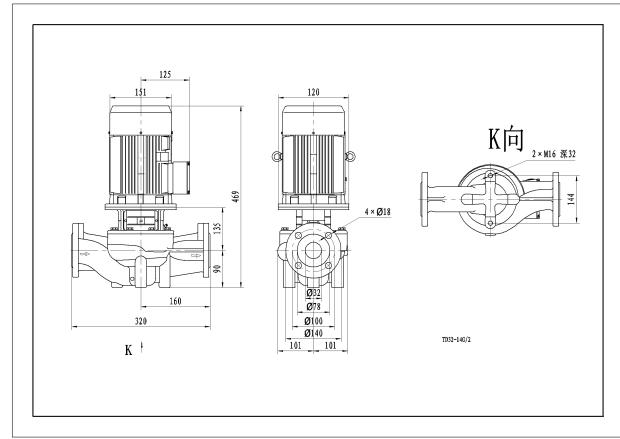
Number of Motor Phase	Three Phase
Protection Class	IP55
Insulation Class	F
Motor Power	0.75
Power Frequency	50Hz
Rated Voltage (V)	380V
Energy Efficiency Level	IE3

Seal

Mechanical Seal	TDS-28/BSE4
-----------------	-------------

Others

Weight (kg)	33
-------------	----

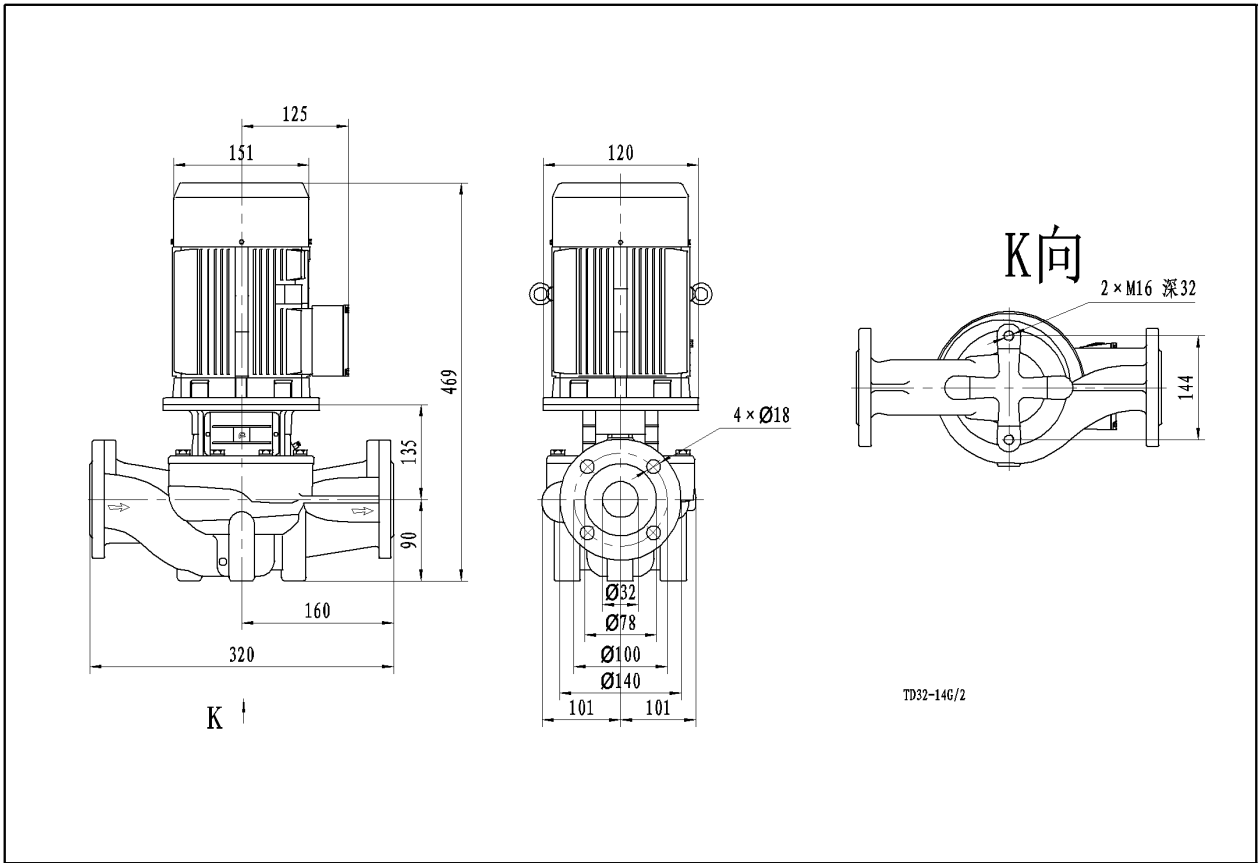




Dimensional Drawing TD32-14G/2

Manufacturer	CNP
Address	
Telephone	400-826-7722
Date	3/8/2022
Client Name	DPA
Client Addr.	
Contact Name	Alireza
Telephone	

Project Name	Demo
Item Number	001



TD32-14G/2



Model Drawing TD32-14G/2

Manufacturer	CNP
Address	
Telephone	400-826-7722
Date	3/8/2022
Client Name	DPA
Client Addr.	
Contact Name	Alireza
Telephone	

Project Name	Demo
Item Number	001

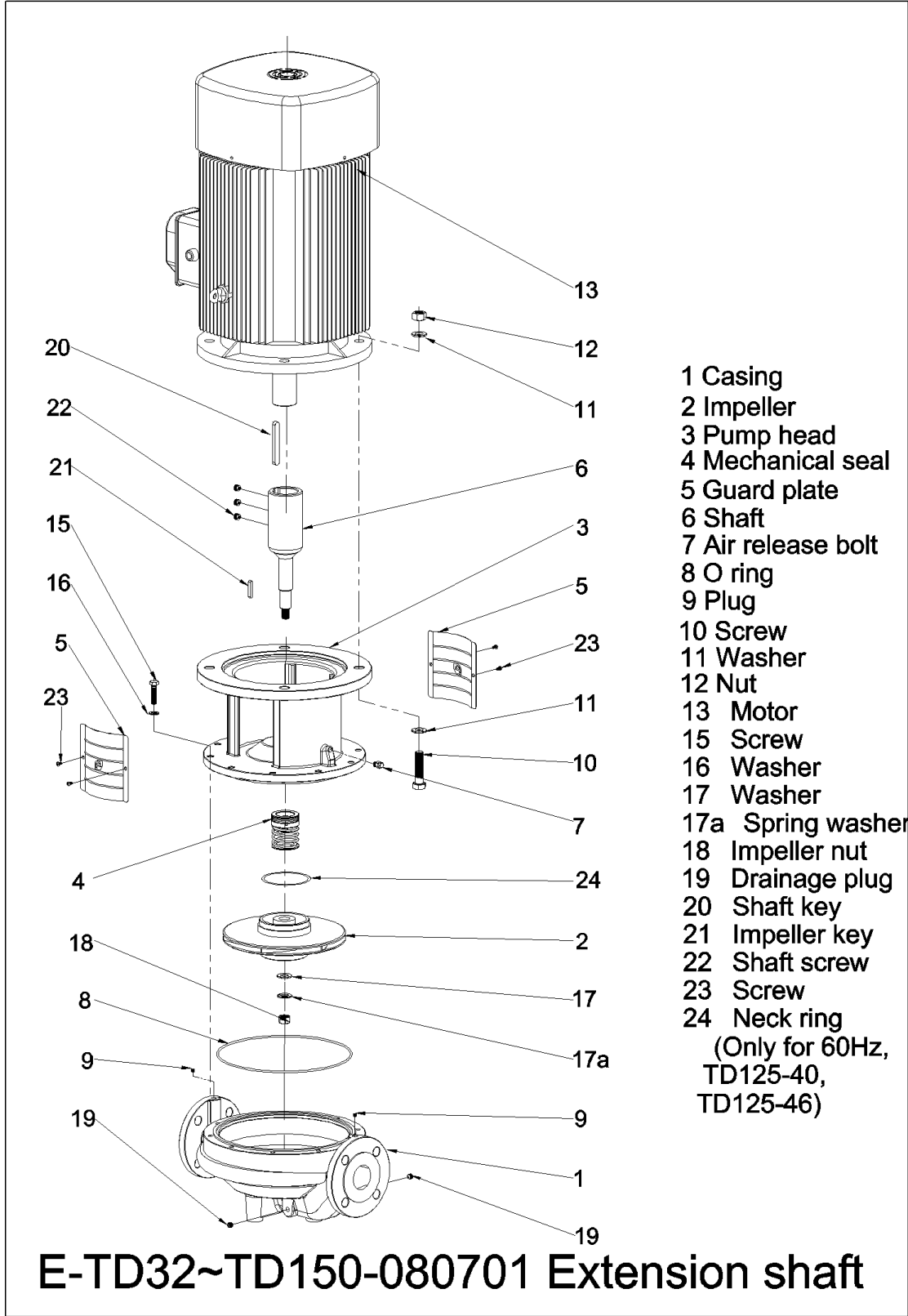




Structure Drawing TD32-14G/2

Manufacturer	CNP
Address	
Telephone	400-826-7722
Date	3/8/2022
Client Name	DPA
Client Addr.	
Contact Name	Alireza
Telephone	

Project Name	Demo
Item Number	001



- 1 Casing
 - 2 Impeller
 - 3 Pump head
 - 4 Mechanical seal
 - 5 Guard plate
 - 6 Shaft
 - 7 Air release bolt
 - 8 O ring
 - 9 Plug
 - 10 Screw
 - 11 Washer
 - 12 Nut
 - 13 Motor
 - 15 Screw
 - 16 Washer
 - 17 Washer
 - 17a Spring washer
 - 18 Impeller nut
 - 19 Drainage plug
 - 20 Shaft key
 - 21 Impeller key
 - 22 Shaft screw
 - 23 Screw
 - 24 Neck ring
- (Only for 60Hz,
TD125-40,
TD125-46)

E-TD32~TD150-080701 Extension shaft



Order data
TD32-14G/2

Manufacturer	CNP
Address	
Telephone	400-826-7722
Date	3/8/2022
Client Name	DPA
Client Addr.	
Contact Name	Alireza
Telephone	

Project Name	Demo
Item Number	001

Pump model: TD32-14G/2
Product No.: 1100113803
Product price:
Product quantity: 1

Total: inquiry: _____

Inquiry notes: