
	<b>Product information</b> <b>TD200-27/4</b>	Manufacturer	CNP
		Address	Yuhang District, Hangzhou,
<b>Project Name</b>		Contact	86-571-88637351
		Date	2022/03/09
<b>Station Number</b>		Client Name	DPA
		Client Addr.	
		Contacts	Alireza
		Contact	

Product No.	1100040585
-------------	------------

Product picture(Note:the picture may not be the same as the	Series description
	<p><b>Product introduction</b></p> <p>Single stage in-line centrifugal pumps,inlet and outlet are horizontal with top side pulled out structure and can be repaired without removing the pipelines.</p> <p><b>Performance and advantages</b></p> <p>Compact structure          Maintenance convenience          Low noise          Both cast iron and stainless steel impeller are available</p> <p><b>Application range</b></p>

<b>technology</b>	
Pump rotator speed	1480
Pump version	Easy-disassemble Type
<b>Material</b>	
Impeller	HT200
Pump body	HT200
Rubber code	NBR
<b>Installation</b>	
Connection Code	F
Maximum Operation Pressure	PN12
<b>Medium</b>	
Medium Temperature	-15~110
<b>Structure dimension</b>	
Inlet & outlet size types	DN
Inlet & Outlet Bore	200
Rotation Direction	Clockwise rotation viewed from motor end
<b>Motor</b>	
Number of Motor Phase	Three Phase
Protection Class	IP55
Insulation Class	F
Motor Power	45
Power Frequency	50Hz
Rated Voltage (V)	380V
Energy Efficiency Level	IE3
<b>Seal</b>	
Mechanical Seal	TD5-43/BSE4
<b>Others</b>	
Weight (kg)	638

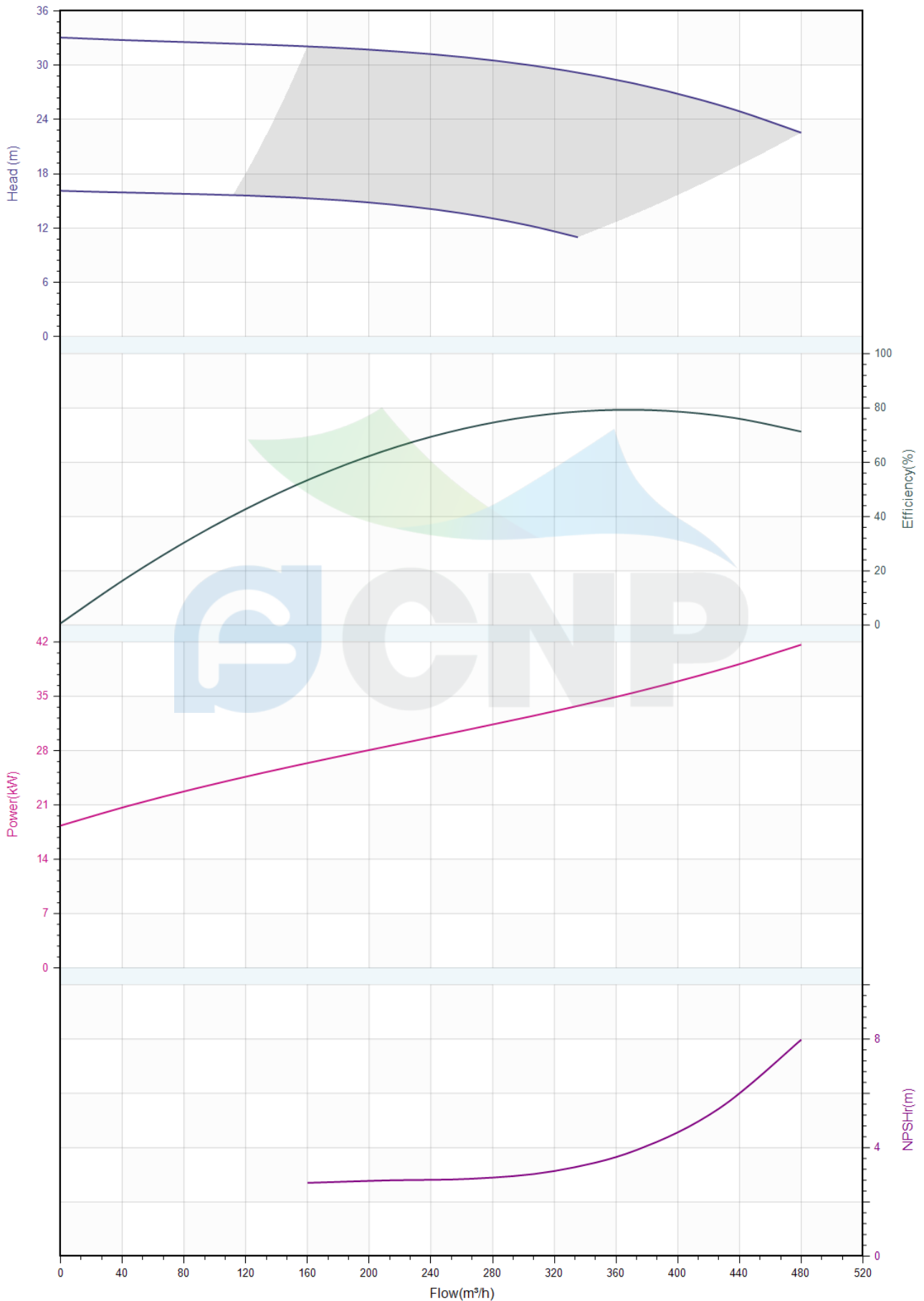


# Performance Curve TD200-27/4

Manufacturer	CNP
Address	Yuhang District, Hangzhou,
Contact	86-571-88637351
Date	2022/03/09
Client Name	DPA
Client Addr.	
Contacts	Alireza
Contact	

Project Name	
Station Number	

Medium Name Clear Water , Temperature 20°C, Density 1000kg/m<sup>3</sup>, Viscosity 1mm<sup>2</sup>/s, (ISO99062012 Grande 3B)





## Pump technical parameters TD200-27/4

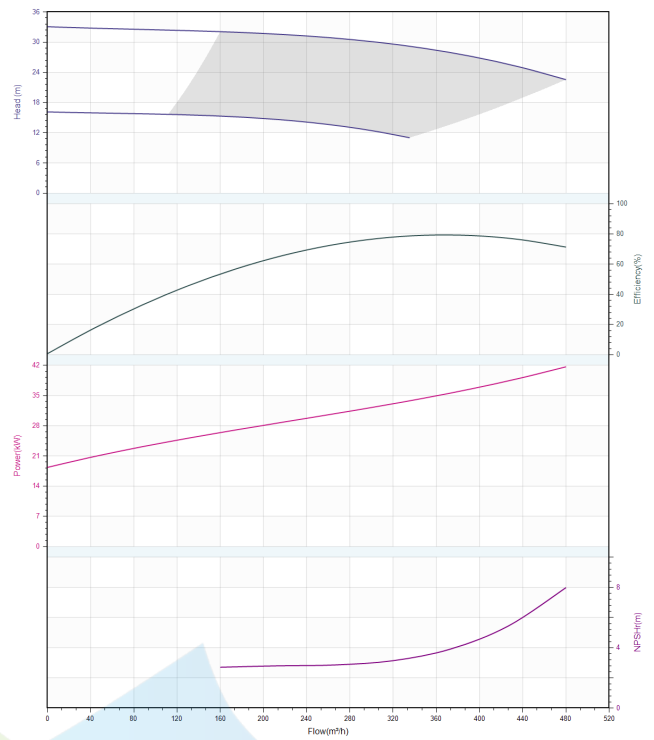
Manufacturer	CNP
Address	Yuhang District, Hangzhou,
Contact	86-571-88637351
Date	2022/03/09
Client Name	DPA
Client Addr.	
Contacts	Alireza
Contact	

### Rated parameters

Pump model	TD200-27/4
Product No.	1100040585
Rated flow(m <sup>3</sup> /h)	400
Rated pressure(m)	27
Rated efficiency(%)	80
Power(kW)	36.79
NPSHr(m)	5.5
Speed(rpm)	1480
Max impeller diameter(mm)	325

### Medium

Medium Name	Clear Water
Working temperature(°C)	20
Medium density(kg/m <sup>3</sup> )	1000
Viscosity(mm <sup>2</sup> /s)	1

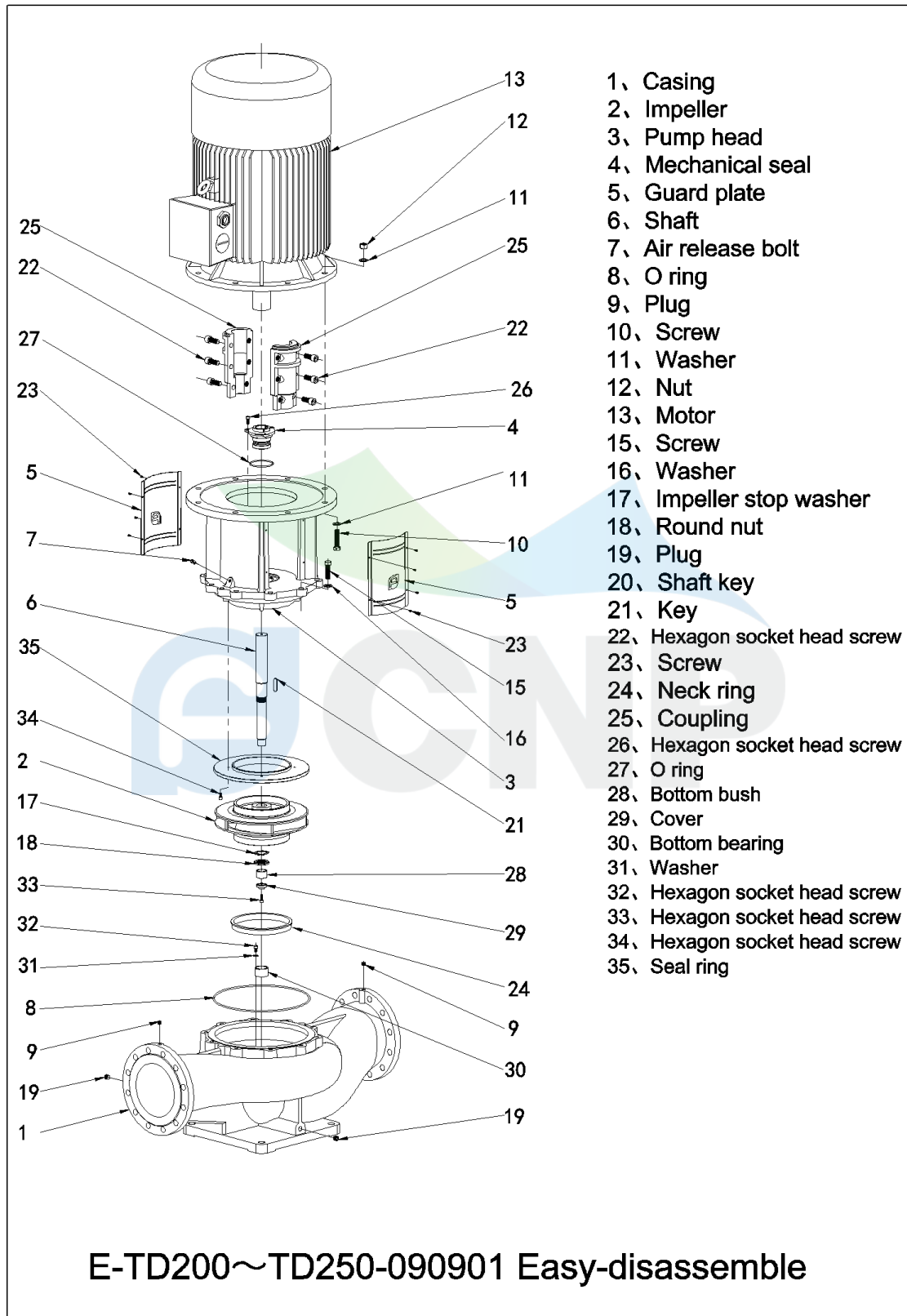




**Structure picture**  
**TD200-27/4**

Manufacturer	CNP
Address	Yuhang District, Hangzhou,
Contact	86-571-88637351
Date	2022/03/09
Client Name	DPA
Client Addr.	
Contacts	Alireza
Contact	

Project Name	
Station Number	



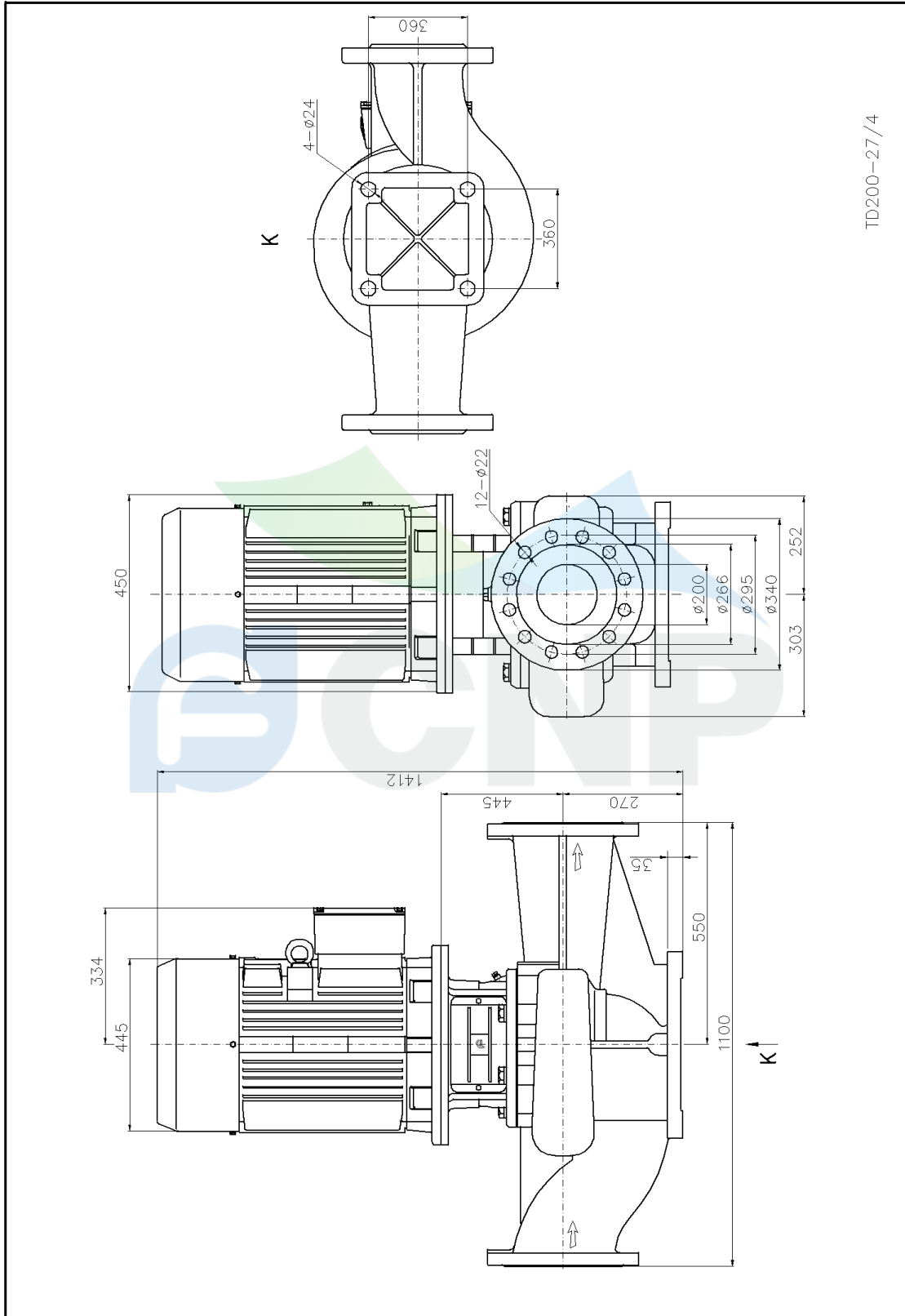
- 1、Casing
- 2、Impeller
- 3、Pump head
- 4、Mechanical seal
- 5、Guard plate
- 6、Shaft
- 7、Air release bolt
- 8、O ring
- 9、Plug
- 10、Screw
- 11、Washer
- 12、Nut
- 13、Motor
- 15、Screw
- 16、Washer
- 17、Impeller stop washer
- 18、Round nut
- 19、Plug
- 20、Shaft key
- 21、Key
- 22、Hexagon socket head screw
- 23、Screw
- 24、Neck ring
- 25、Coupling
- 26、Hexagon socket head screw
- 27、O ring
- 28、Bottom bush
- 29、Cover
- 30、Bottom bearing
- 31、Washer
- 32、Hexagon socket head screw
- 33、Hexagon socket head screw
- 34、Hexagon socket head screw
- 35、Seal ring



**Size picture**  
**TD200-27/4**

Manufacturer	CNP
Address	Yuhang District, Hangzhou,
Contact	86-571-88637351
Date	2022/03/09
Client Name	DPA
Client Addr.	
Contacts	Alireza
Contact	

Project Name	
Station Number	



TD200-27/4