



|  |   |              |                            |
|--|---|--------------|----------------------------|
|  | <b>Product information</b><br><b>TD200-23/4</b> | Manufacturer | CNP                        |
|  |   | Address      | Yuhang District, Hangzhou, |
| <b>Project Name</b>  |   | Contact      | 86-571-88637351            |
|  |   | Date         | 2022/03/09                 |
| <b>Station Number</b>  |   | Client Name  | DPA                        |
|  |   | Client Addr. |                            |
|  |   | Contacts     | Alireza                    |
|  |   | Contact      |                            |

|             |            |
|-------------|------------|
| Product No. | 1100040564 |
|-------------|------------|

|   |  |
|---|--|
| Product picture(Note:the picture may not be the same as the                       | Series description   |
|  | <p><b>Product introduction</b></p> <p>Single stage in-line centrifugal pumps,inlet and outlet are horizontal with top side pulled out structure and can be repaired without removing the pipelines.</p> <p><b>Performance and advantages</b></p> <p>Compact structure<br/>         Maintenance convenience<br/>         Low noise<br/>         Both cast iron and stainless steel impeller are available</p> <p><b>Application range</b></p> |

|                            |  |
|----------------------------|--|
| <b>technology</b>          |  |
| Pump rotator speed         | 1480                                     |
| Pump version               | Easy-disassemble Type                    |
| <b>Material</b>            |  |
| Impeller                   | HT200                                    |
| Pump body                  | HT200                                    |
| Rubber code                | NBR                                      |
| <b>Installation</b>        |  |
| Connection Code            | F  |
| Maximum Operation Pressure | PN12                                     |
| <b>Medium</b>              |  |
| Medium Temperature         | -15~110                                  |
| <b>Structure dimension</b> |  |
| Inlet & outlet size types  | DN                                       |
| Inlet & Outlet Bore        | 200                                      |
| Rotation Direction         | Clockwise rotation viewed from motor end |
| <b>Motor</b>               |  |
| Number of Motor Phase      | Three Phase                              |
| Protection Class           | IP55                                     |
| Insulation Class           | F  |
| Motor Power                | 37                                       |
| Power Frequency            | 50Hz                                     |
| Rated Voltage (V)          | 380V                                     |
| Energy Efficiency Level    | IE3                                      |
| <b>Seal</b>                |  |
| Mechanical Seal            | TD5-43/BSE4                              |
| <b>Others</b>              |  |
| Weight (kg)                | 602                                      |

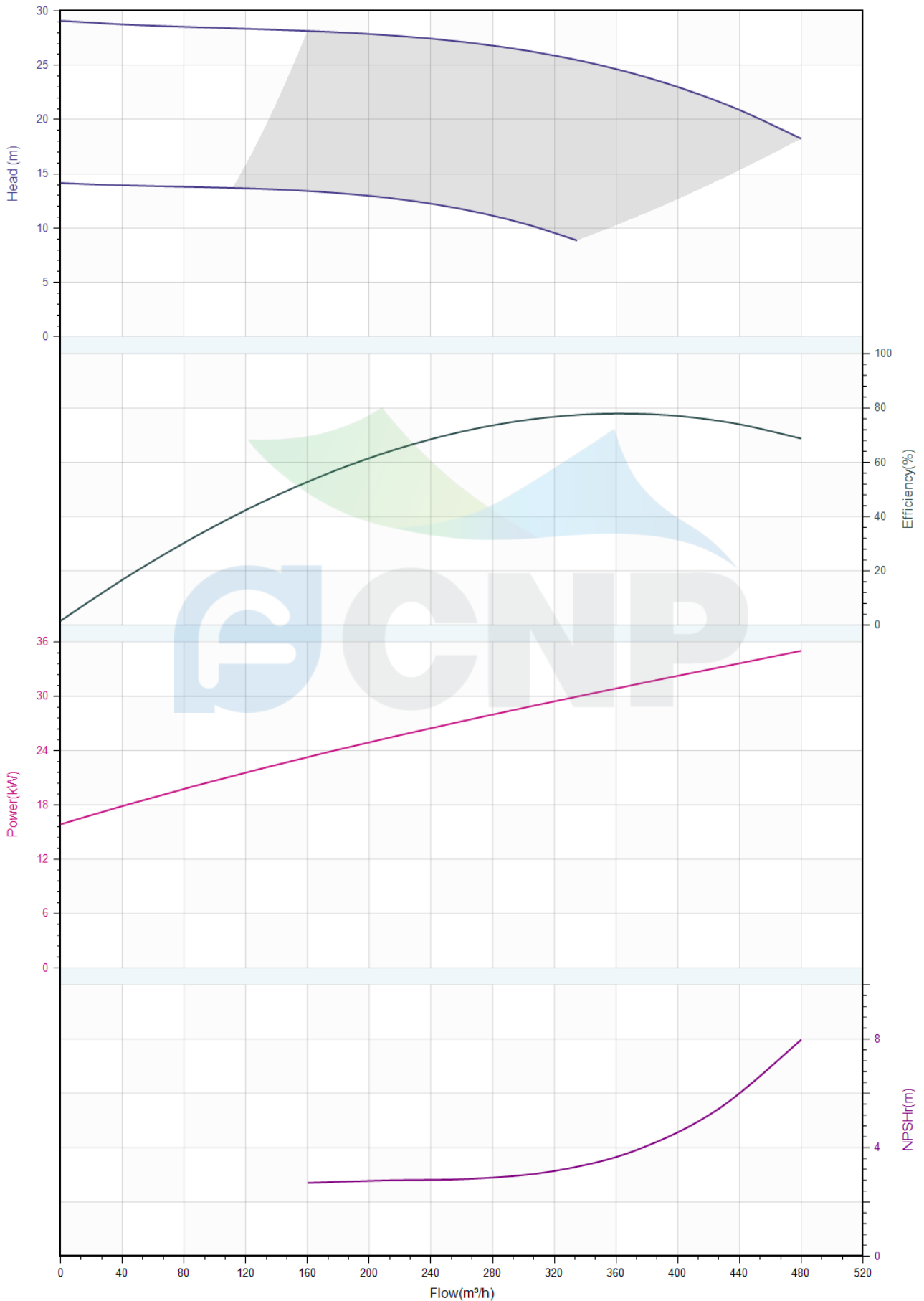


# Performance Curve TD200-23/4

|              |                            |
|--------------|----------------------------|
| Manufacturer | CNP                        |
| Address      | Yuhang District, Hangzhou, |
| Contact      | 86-571-88637351            |
| Date         | 2022/03/09                 |
| Client Name  | DPA                        |
| Client Addr. |                            |
| Contacts     | Alireza                    |
| Contact      |                            |

|                |  |
|----------------|--|
| Project Name   |  |
| Station Number |  |

Medium Name Clear Water , Temperature 20°C, Density 1000kg/m<sup>3</sup>, Viscosity 1mm<sup>2</sup>/s, (ISO99062012 Grande 3B)





## Pump technical parameters TD200-23/4

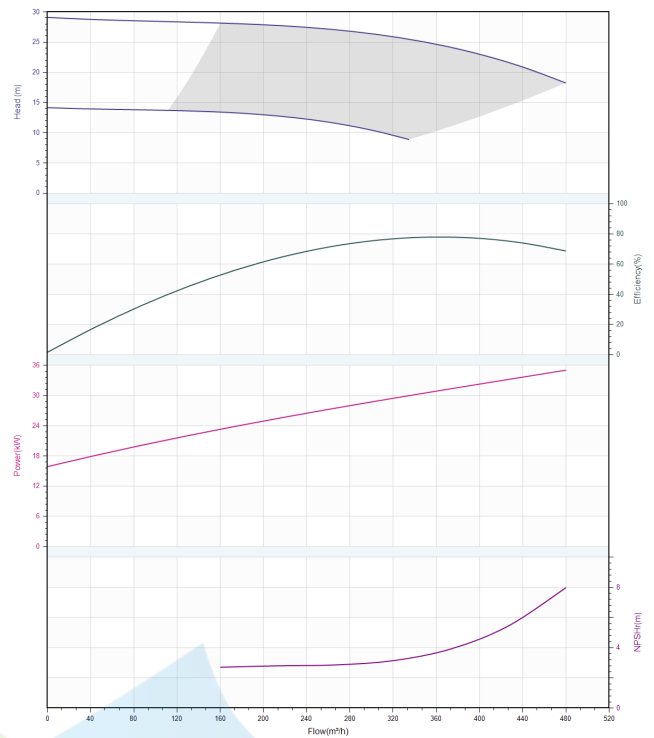
|              |                            |
|--------------|----------------------------|
| Manufacturer | CNP                        |
| Address      | Yuhang District, Hangzhou, |
| Contact      | 86-571-88637351            |
| Date         | 2022/03/09                 |
| Client Name  | DPA                        |
| Client Addr. |                            |
| Contacts     | Alireza                    |
| Contact      |                            |

### Rated parameters

|                               |            |
|-------------------------------|------------|
| Pump model                    | TD200-23/4 |
| Product No.                   | 1100040564 |
| Rated flow(m <sup>3</sup> /h) | 400        |
| Rated pressure(m)             | 23         |
| Rated efficiency(%)           | 80         |
| Power(kW)                     | 31.34      |
| NPSHr(m)                      | 5.5        |
| Speed(rpm)                    | 1480       |
| Max impeller diameter(mm)     | 314        |

### Medium

|                                    |             |
|------------------------------------|-------------|
| Medium Name                        | Clear Water |
| Working temperature(°C)            | 20          |
| Medium density(kg/m <sup>3</sup> ) | 1000        |
| Viscosity(mm <sup>2</sup> /s)      | 1           |

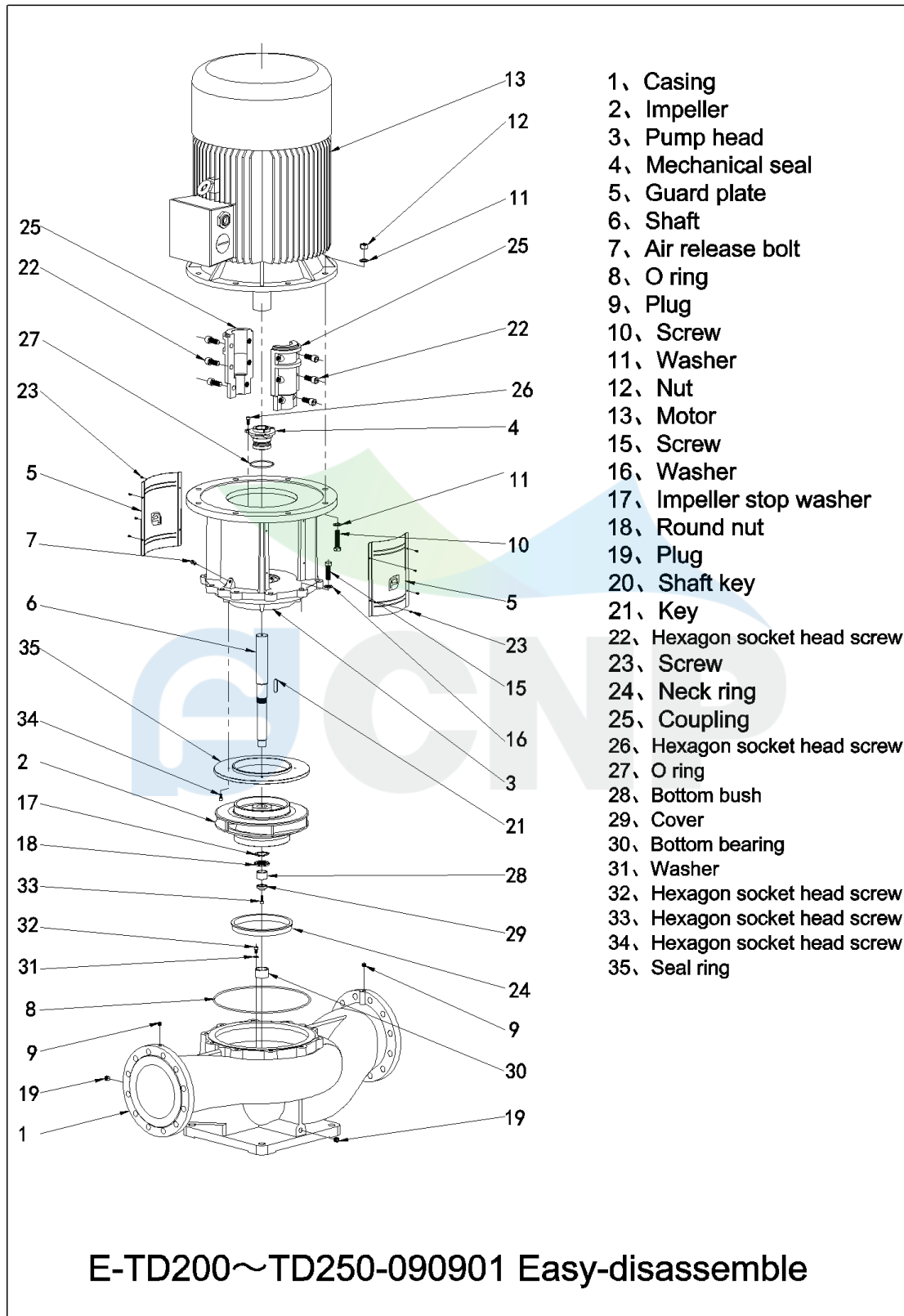




**Structure picture**  
**TD200-23/4**

|              |                            |
|--------------|----------------------------|
| Manufacturer | CNP                        |
| Address      | Yuhang District, Hangzhou, |
| Contact      | 86-571-88637351            |
| Date         | 2022/03/09                 |
| Client Name  | DPA                        |
| Client Addr. |                            |
| Contacts     | Alireza                    |
| Contact      |                            |

|                |  |
|----------------|--|
| Project Name   |  |
| Station Number |  |

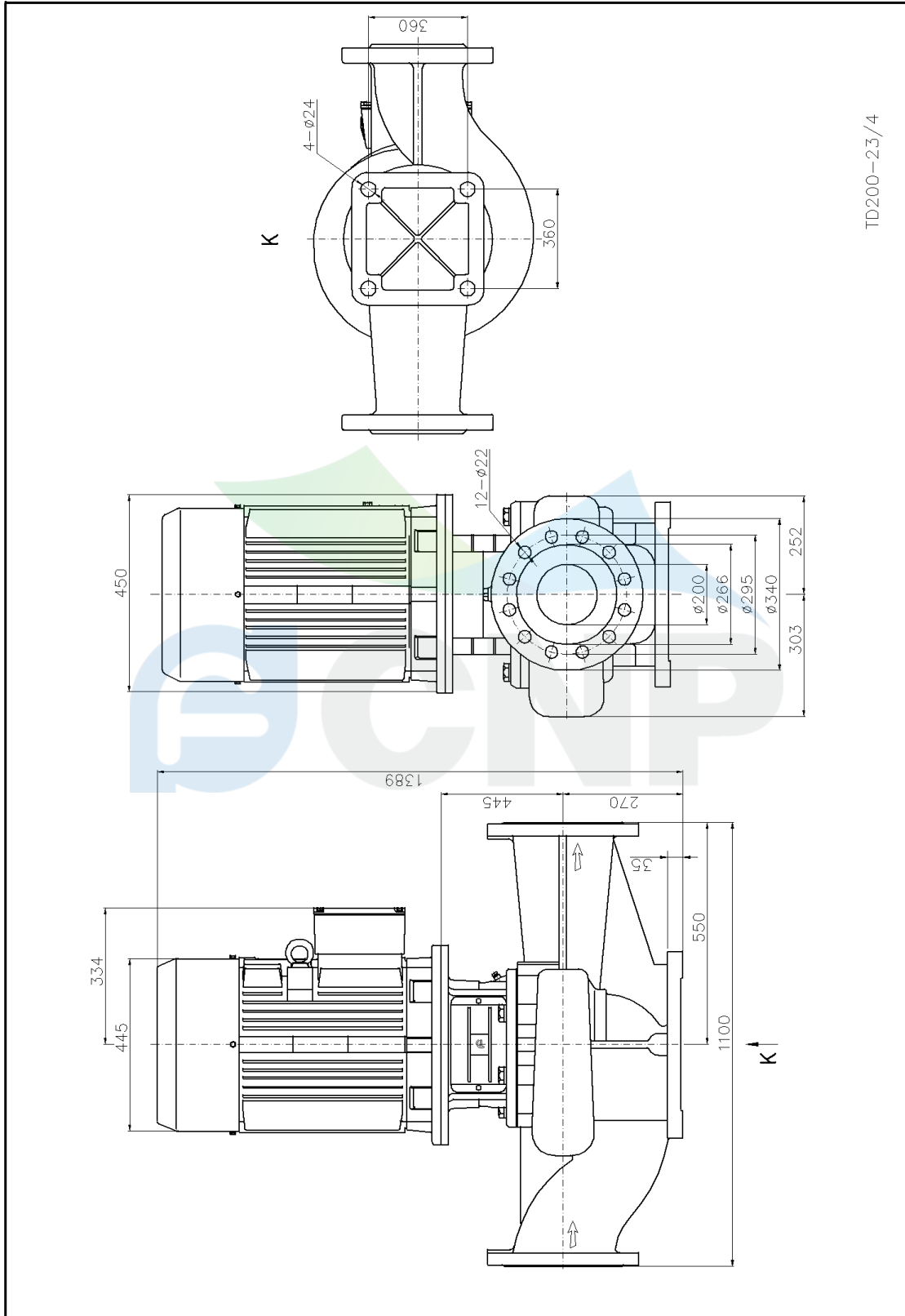




**Size picture**  
**TD200-23/4**

|              |                            |
|--------------|----------------------------|
| Manufacturer | CNP                        |
| Address      | Yuhang District, Hangzhou, |
| Contact      | 86-571-88637351            |
| Date         | 2022/03/09                 |
| Client Name  | DPA                        |
| Client Addr. |                            |
| Contacts     | Alireza                    |
| Contact      |                            |

|                |  |
|----------------|--|
| Project Name   |  |
| Station Number |  |



TD200-23/4