
	Product Information CDMF5-29	Manufacturer	CNP
		Address	Yuhang District, Hangzhou, Zhejiang,
Project Name		Contact	86-571-88637351
		Date	2022/06/19
Item NO		Client Name	DPA
		Client Addr.	
		Contacts	Alireza
		Contact	

Part NO.	1100141070
----------	------------

Product Picture	Note
	<p>Based on the structure of CDMF light vertical multistage centrifugal pump, this product adds a cooling device, which is suitable for liquids with a maximum temperature of 180.</p> <p>The liquid can be cooled to 120 or lower before reaching the shaft seal through the cooling device, which effectively ensures the safe working temperature of the mechanical seal and avoids the damage caused by high temperature to the motor.</p> <p>The product has ultra-high performance of CDMF, MEI≥0.7.IE3 ultra-efficient motor makes whole machine more efficient, energy-saving and environmental friendly.</p>

technology	
Pump rotator speed	2900
Nameplate standards	CE
Pump version	1
Material	
Impeller	304
Rubber code	D
Inlet&outlet chamber	304
Material Code	S
Installation	
Connection Code	K
Maximum Pressure/Temperaturu	25 bar / 180
Maximum Pressure/Temperaturu	25 bar / -15
Flange Standard	DIN
Pressure Class	PN25
Inlet & outlet	DN32
Medium	
Medium Temperature high t	-15+180
Maximum Environment Temper	40
Motor	
Number of Motor Phase	Three Phase
Protection Class	IP55
Insulation Class	F
Motor Power	4KW
Power Frequency	50HZ
Rated Voltage (V)	380V
Rated Current (A)	7.8A
Energy Efficiency Level	IE3
Seal	
Mechanical Seal	CDLA-12/WBF14
Others	
Weight (kg)	89



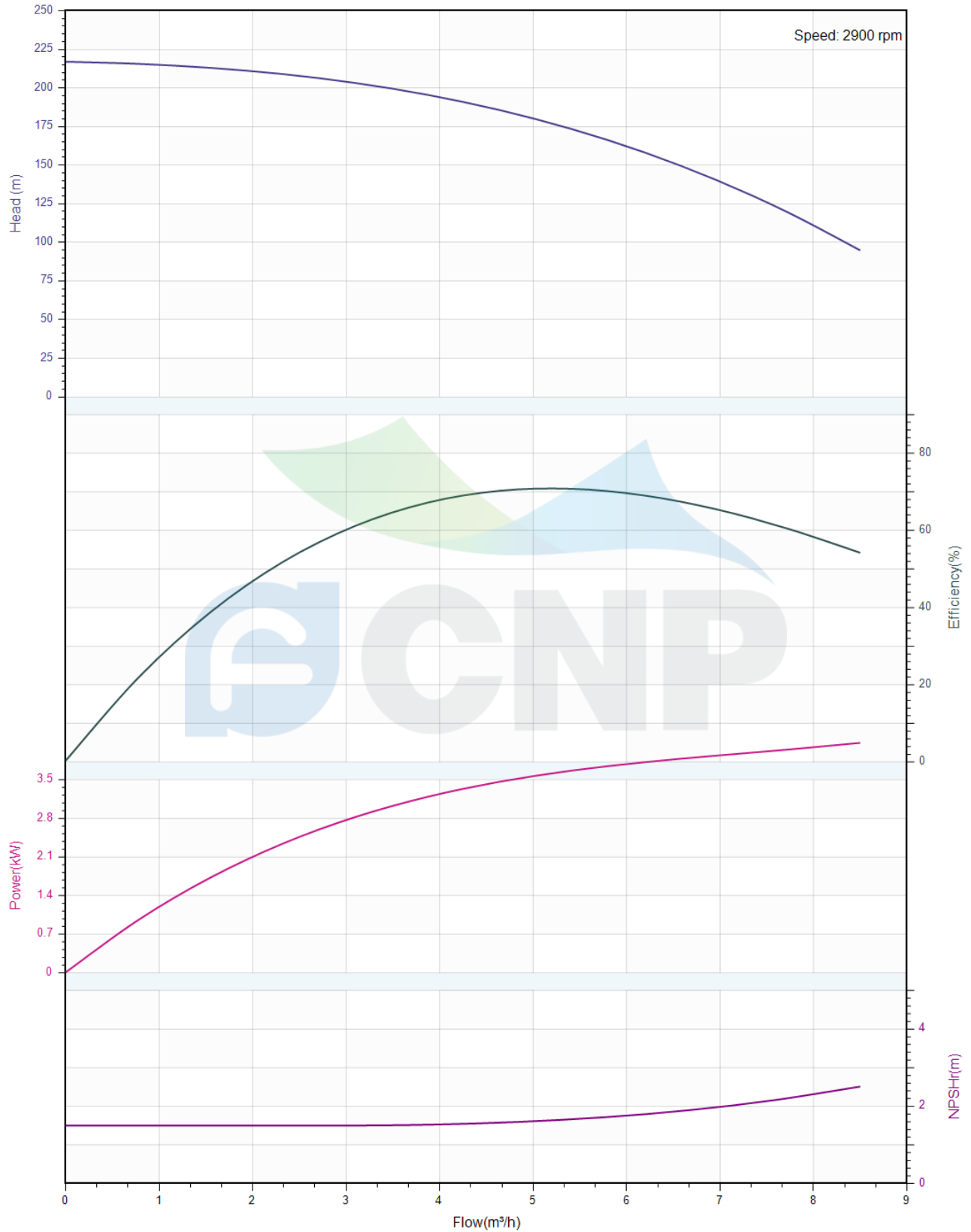
Performance Curve CDMF5-29

Manufacturer	CNP
Address	Yuhang District, Hangzhou, Zhejiang,
Contact	86-571-88637351
Date	2022/06/19
Client Name	DPA
Client Addr.	
Contacts	Alireza
Contact	

Project Name

Item NO

The hydraulic performance curve have been tested with Clean Water at 20°C, density 1000kg/m³, and at 1bar atmospheric pressure. ISO99062012 Grade 3B





Pump Technical Parameters CDMF5-29

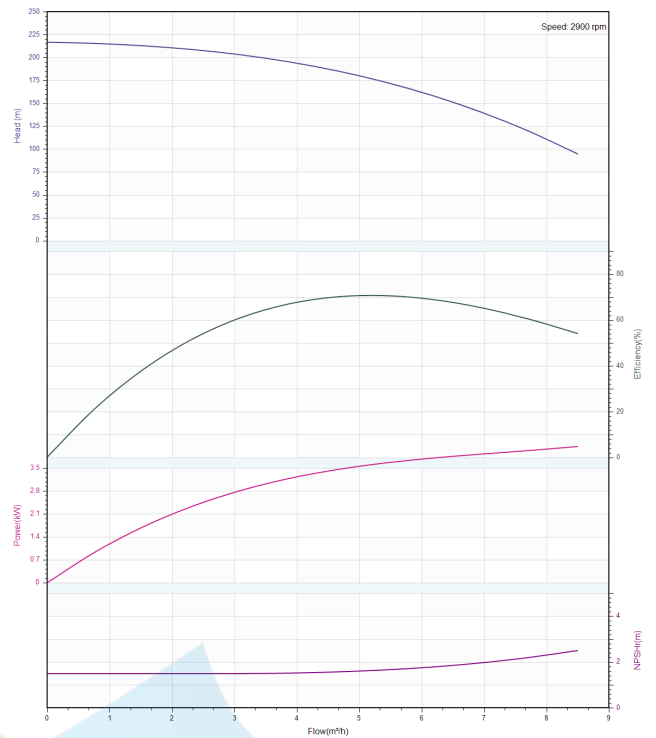
Manufacturer	CNP
Address	Yuhang District, Hangzhou, Zhejiang,
Contact	86-571-88637351
Date	2022/06/19
Client Name	DPA
Client Addr.	
Contacts	Alireza
Contact	


Rated parameters

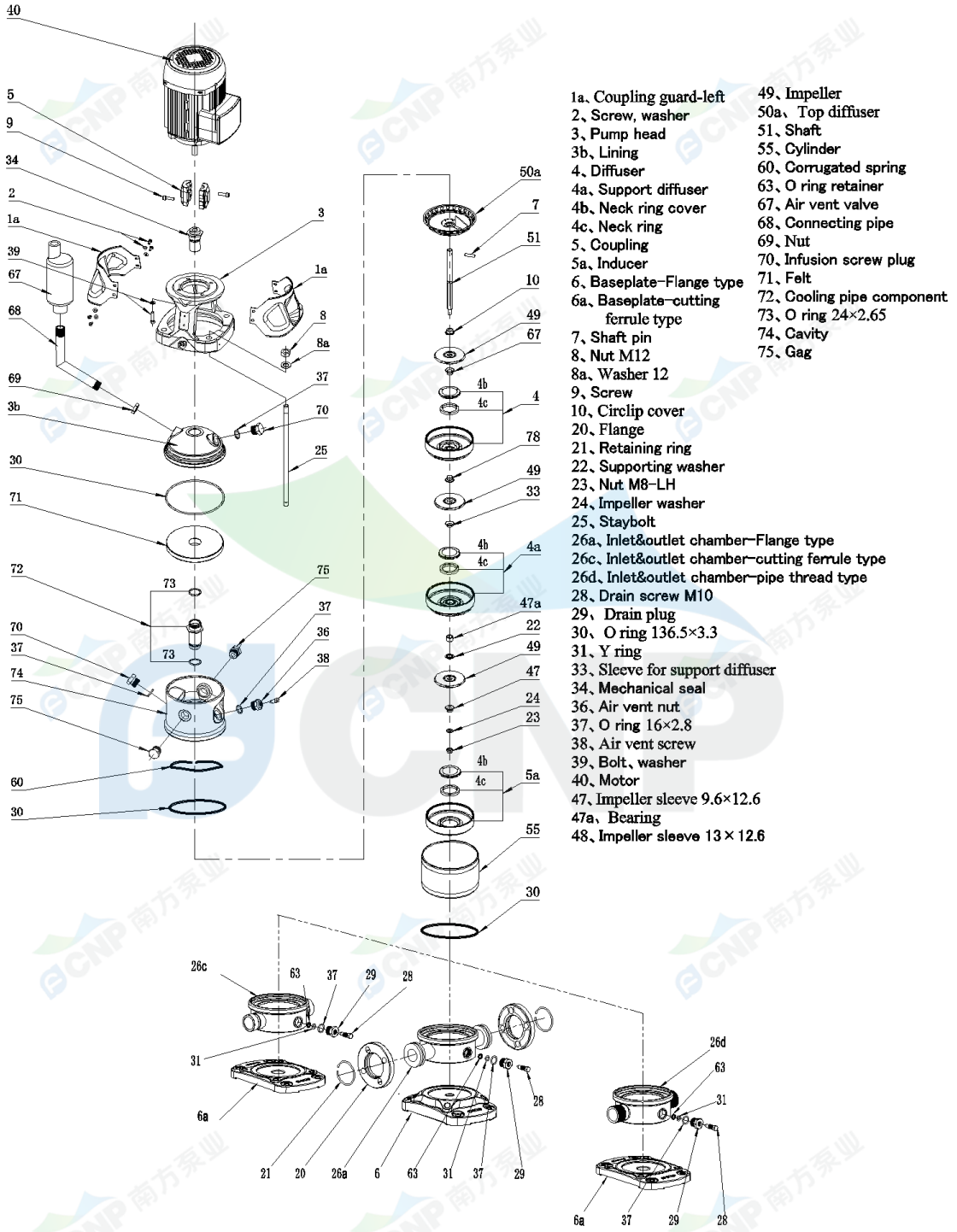
Pump model	CDMF5-29
Part NO.	1100141070
Rated flow (m ³ /h)	5
Rated head (m)	180
Rated efficiency (%)	70
Power (kW)	3.5
NPSHr (m)	1.6
Speed (rpm)	2900
Max impeller diameter (mm)	82

Medium

Pumped medium	Clean Water
Working temperature (°C)	20
Medium density (kg/m ³)	1000
Viscosity (mm ² /s)	1



	Structure picture CDMF5-29	Manufacturer	CNP
		Address	Yuhang District, Hangzhou, Zhejiang,
		Contact	86-571-88637351
		Date	2022/06/19
Project Name		Client Name	DPA
		Client Addr.	
Item NO		Contacts	Alireza
		Contact	



- 1a. Coupling guard-left
- 2. Screw, washer
- 3. Pump head
- 3b. Lining
- 4. Diffuser
- 4a. Support diffuser
- 4b. Neck ring cover
- 4c. Neck ring
- 5. Coupling
- 5a. Inducer
- 6. Baseplate-Flange type
- 6a. Baseplate-cutting ferrule type
- 7. Shaft pin
- 8. Nut M12
- 8a. Washer 12
- 9. Screw
- 10. Circlip cover
- 20. Flange
- 21. Retaining ring
- 22. Supporting washer
- 23. Nut M8-LH
- 24. Impeller washer
- 25. Staybolt
- 26a. Inlet&outlet chamber-Flange type
- 26c. Inlet&outlet chamber-cutting ferrule type
- 26d. Inlet&outlet chamber-pipe thread type
- 28. Drain screw M10
- 29. Drain plug
- 30. O ring 136.5×3.3
- 31. Y ring
- 33. Sleeve for support diffuser
- 34. Mechanical seal
- 36. Air vent nut
- 37. O ring 16×2.8
- 38. Air vent screw
- 39. Bolt, washer
- 40. Motor
- 47. Impeller sleeve 9.6×12.6
- 47a. Bearing
- 48. Impeller sleeve 13×12.6
- 49. Impeller
- 50a. Top diffuser
- 51. Shaft
- 55. Cylinder
- 60. Corrugated spring
- 63. O ring retainer
- 67. Air vent valve
- 68. Connecting pipe
- 69. Nut
- 70. Infusion screw plug
- 71. Felt
- 72. Cooling pipe component
- 73. O ring 24×2.65
- 74. Cavity
- 75. Gag

E-CDMF5-190501

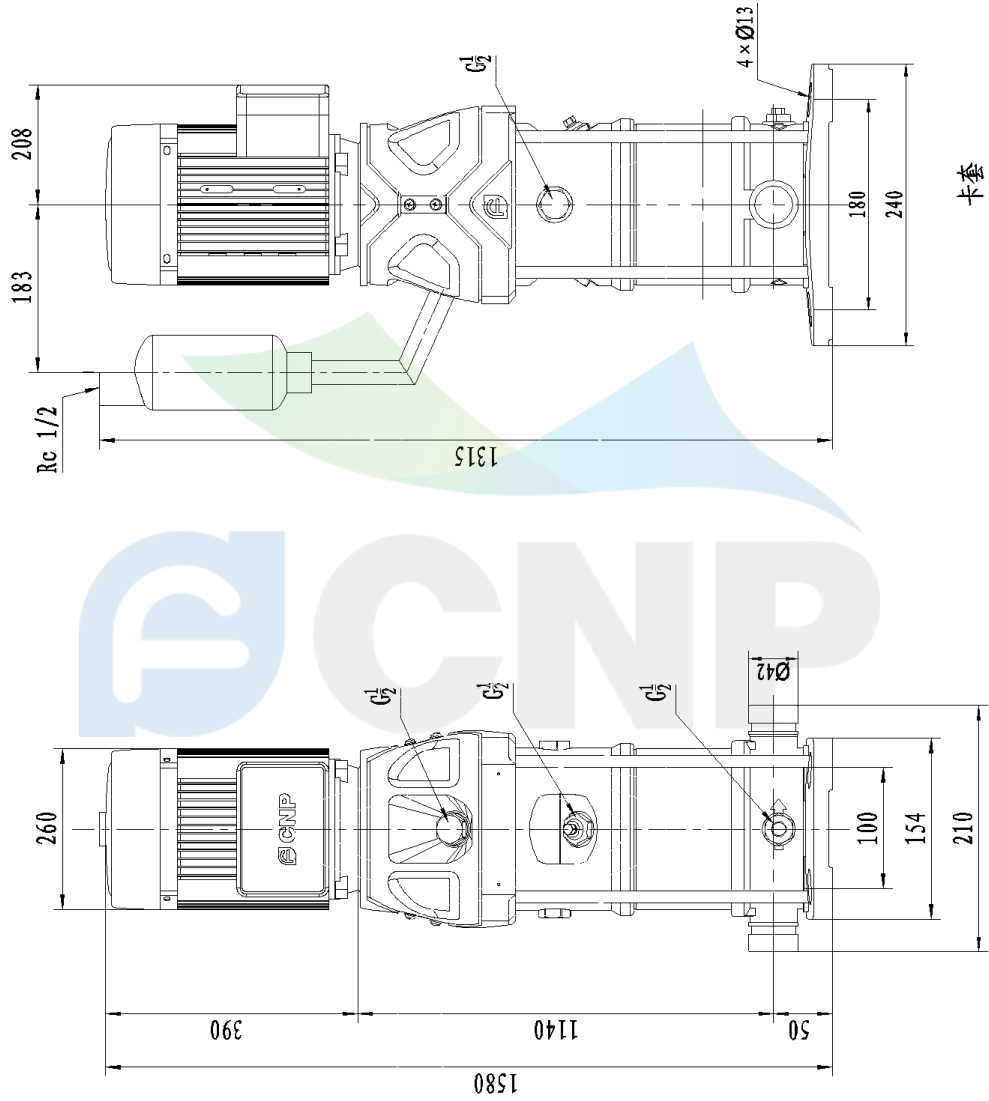


Dimension Drawing CDMF5-29

Manufacturer	CNP
Address	Yuhang District, Hangzhou, Zhejiang,
Contact	86-571-88637351
Date	2022/06/19
Client Name	DPA
Client Addr.	
Contacts	Alireza
Contact	

Project Name

Item NO



CDMG5-29