	<b>Product Information</b> <b>NIS350-300-250/90</b>	Manufacturer	CNP
		Address	Yuhang District, Hangzhou, Zhejiang,
<b>Project Name</b>		Contact	86-571-88637351
		Date	2022/03/06
<b>Item NO</b>		Client Name	DPA
		Client Addr.	
		Contacts	Alireza
		Contact	

Part NO.	1100200014
----------	------------

Product Picture	Note
	<p>Non-prime single stage horizontal end suction centrifugal pump, axial inlet and radial outlet, back pull out design, easy maintenance without removing pumpbody and pipe system.</p>

<b>technology</b>	
Pump rotator speed	1480
<b>Material</b>	
Impeller	HT200
Pump body	QT500-7
Rubber code	NBR
Material Code	H
<b>Installation</b>	
Maximum Operation Pressure	16Bar
Maximum Inlet Pressure	6Bar
<b>Medium</b>	
Medium Temperature	-15~+110
<b>Structure dimension</b>	
Inlet & outlet size types	DN
Inlet Bore	350
Outlet Diameter	300
Rotation Direction	Anti-clockwise rotation viewing from inlet
<b>Motor</b>	
Number of Motor Phase	Three Phase
Protection Class	IP55
Insulation Class	F
Motor Power	90
Power Frequency	50Hz
Rated Voltage (V)	380
Rated Current (A)	163
Energy Efficiency Level	IE3
<b>Seal</b>	
Mechanical Seal	NISO-60/BSE4
<b>Others</b>	
Weight (kg)	1282

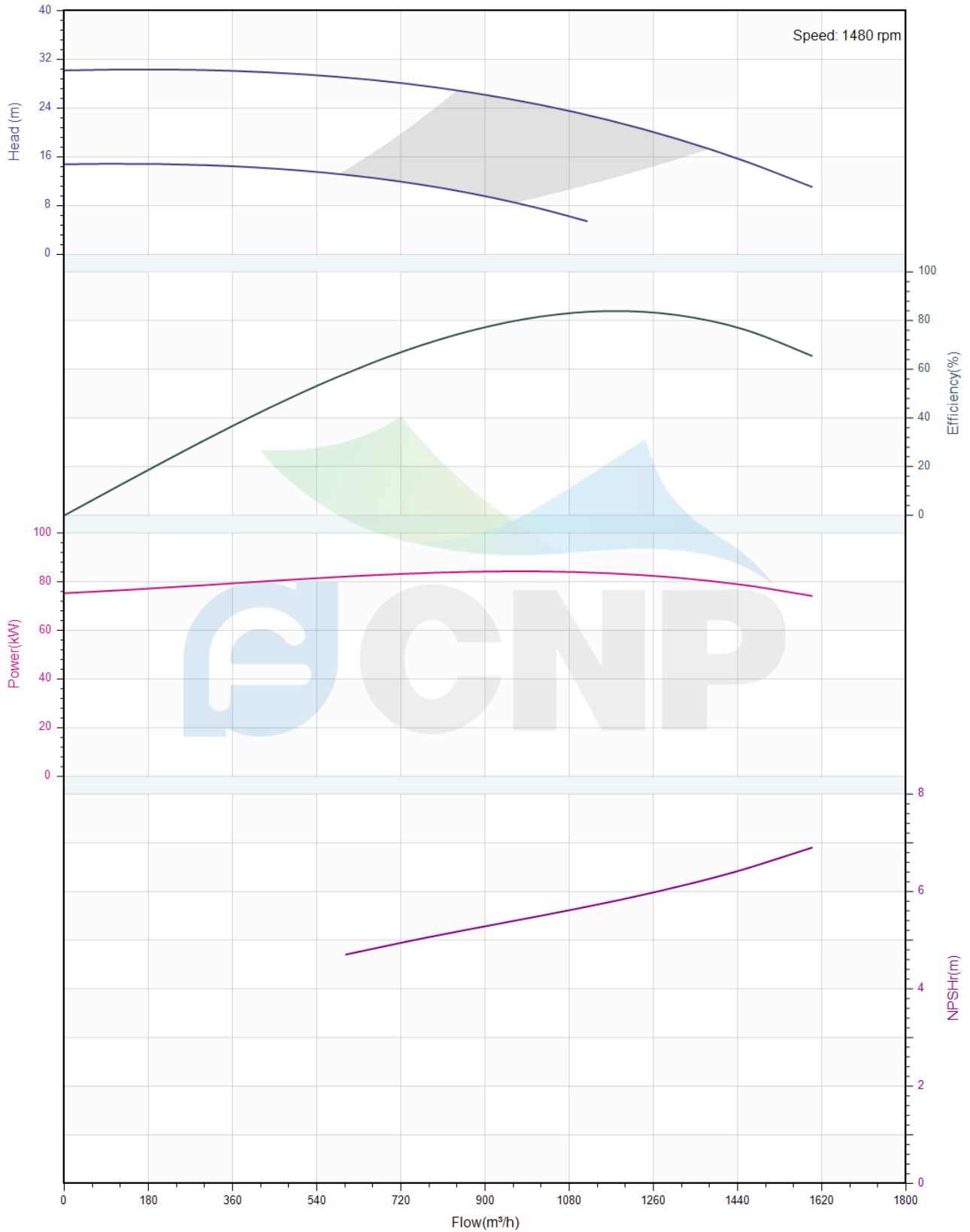


# Performance Curve NIS350-300-250/90

Manufacturer	CNP
Address	Yuhang District, Hangzhou, Zhejiang,
Contact	86-571-88637351
Date	2022/03/06
Client Name	DPA
Client Addr.	
Contacts	Alireza
Contact	

Project Name	
Item NO	

The hydraulic performance curve have been tested with Clean Water at 20°C, density 1000kg/m<sup>3</sup>, and at 1bar atmospheric pressure. ISO99062012 Grade 3B





## Pump Technical Parameters NIS350-300-250/90

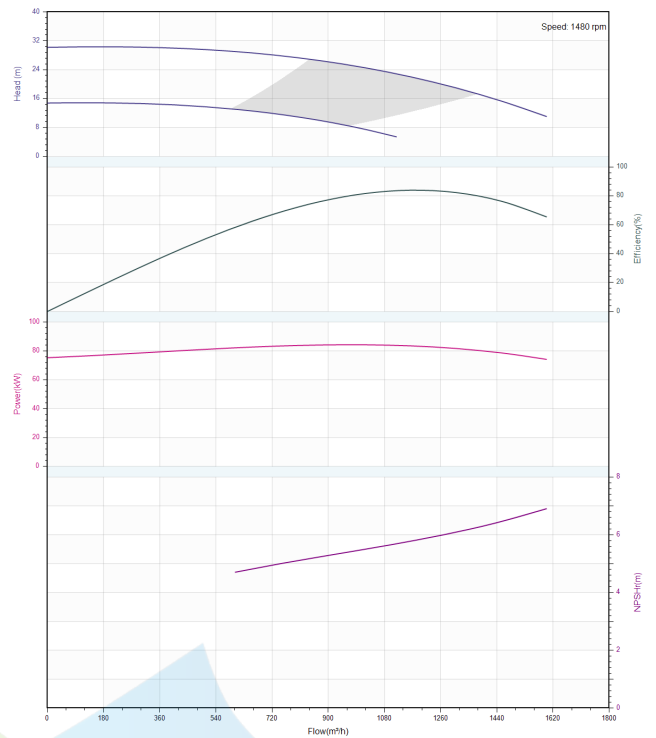
Manufacturer	CNP
Address	Yuhang District, Hangzhou, Zhejiang,
Contact	86-571-88637351
Date	2022/03/06
Client Name	DPA
Client Addr.	
Contacts	Alireza
Contact	


### Rated parameters

Pump model	NIS350-300-250/90
Part NO.	1100200014
Rated flow (m <sup>3</sup> /h)	1200
Rated head (m)	21.5
Rated efficiency (%)	83.5
Power (kW)	84.2
NPSHr (m)	5.8
Speed (rpm)	1480
Max impeller diameter (mm)	346

### Medium

Pumped medium	Clean Water
Working temperature (°C)	20
Medium density (kg/m <sup>3</sup> )	1000
Viscosity (mm <sup>2</sup> /s)	1



	<b>Structure picture</b> <b>NIS350-300-250/90</b>	Manufacturer	CNP
		Address	Yuhang District, Hangzhou, Zhejiang,
Project Name		Contact	86-571-88637351
		Date	2022/03/06
Item NO		Client Name	DPA
		Client Addr.	
		Contacts	Alireza
		Contact	





# Dimension Drawing

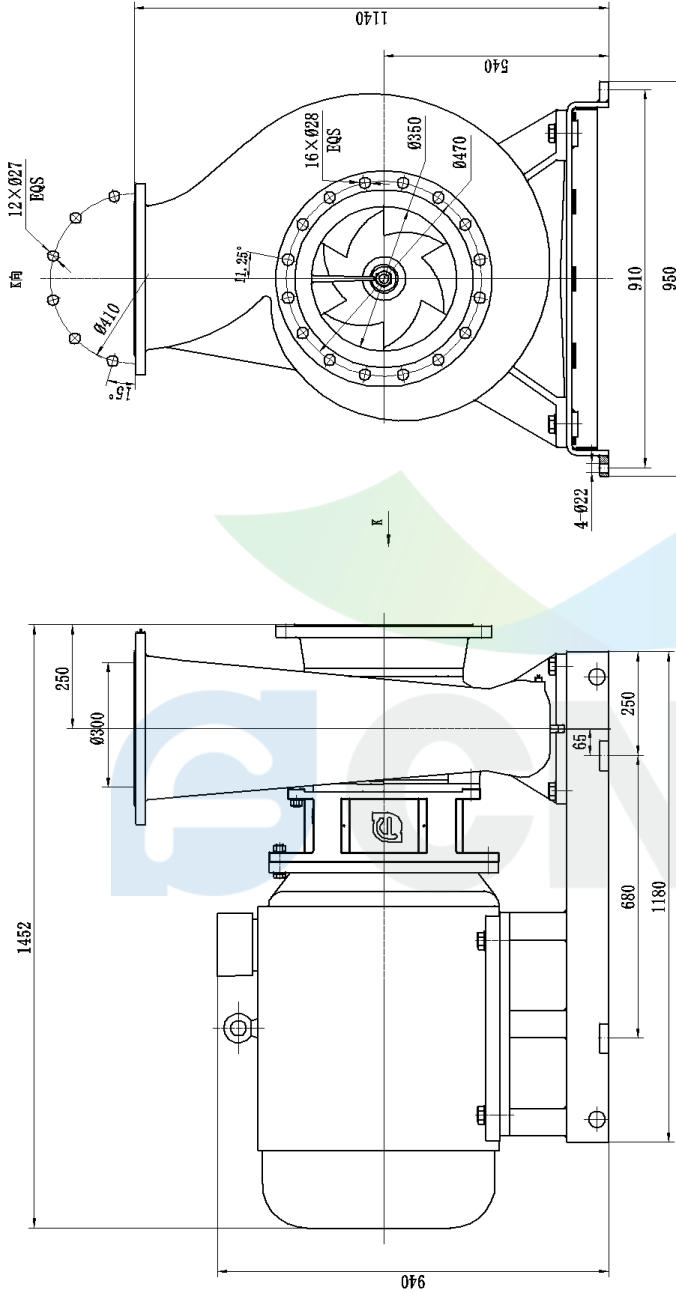
## NIS350-300-250/90

Manufacturer	CNP
Address	Yuhang District, Hangzhou, Zhejiang,
Contact	86-571-88637351
Date	2022/03/06
Client Name	DPA
Client Addr.	
Contacts	Alireza
Contact	

Project Name

Item NO

06/0927-009-0933SIN



南方泵业 端吸离心泵 NIS350-300-250/90	
图样名称	端吸离心泵
图样比例	1:1
图样数量	共 1 页 第 1 页
设计	
校对	
审核	
日期	

绘图	
审核	
图样编号	
底图编号	
签字	
日期	