	Product Information NIS300-250-250/55	Manufacturer	CNP
		Address	Yuhang District, Hangzhou, Zhejiang,
Project Name		Contact	86-571-88637351
		Date	2022/03/06
Item NO		Client Name	DPA
		Client Addr.	
		Contacts	Alireza
		Contact	

Part NO.	1100200020
----------	------------

Product Picture	Note
	<p>Non-prime single stage horizontal end suction centrifugal pump, axial inlet and radial outlet, back pull out design, easy maintenance without removing pumpbody and pipe system.</p>

technology	
Pump rotator speed	1480
Material	
Impeller	HT200
Pump body	QT500-7
Rubber code	NBR
Material Code	H
Installation	
Maximum Operation Pressure	16Bar
Maximum Inlet Pressure	6Bar
Medium	
Medium Temperature	-15~+110
Structure dimension	
Inlet & outlet size types	DN
Inlet Bore	300
Outlet Diameter	250
Rotation Direction	Anti-clockwise rotation viewing from inlet
Motor	
Number of Motor Phase	Three Phase
Protection Class	IP55
Insulation Class	F
Motor Power	55
Power Frequency	50Hz
Rated Voltage (V)	380
Rated Current (A)	103
Energy Efficiency Level	IE3
Seal	
Mechanical Seal	NISO-60/BSE4
Others	
Weight (kg)	845



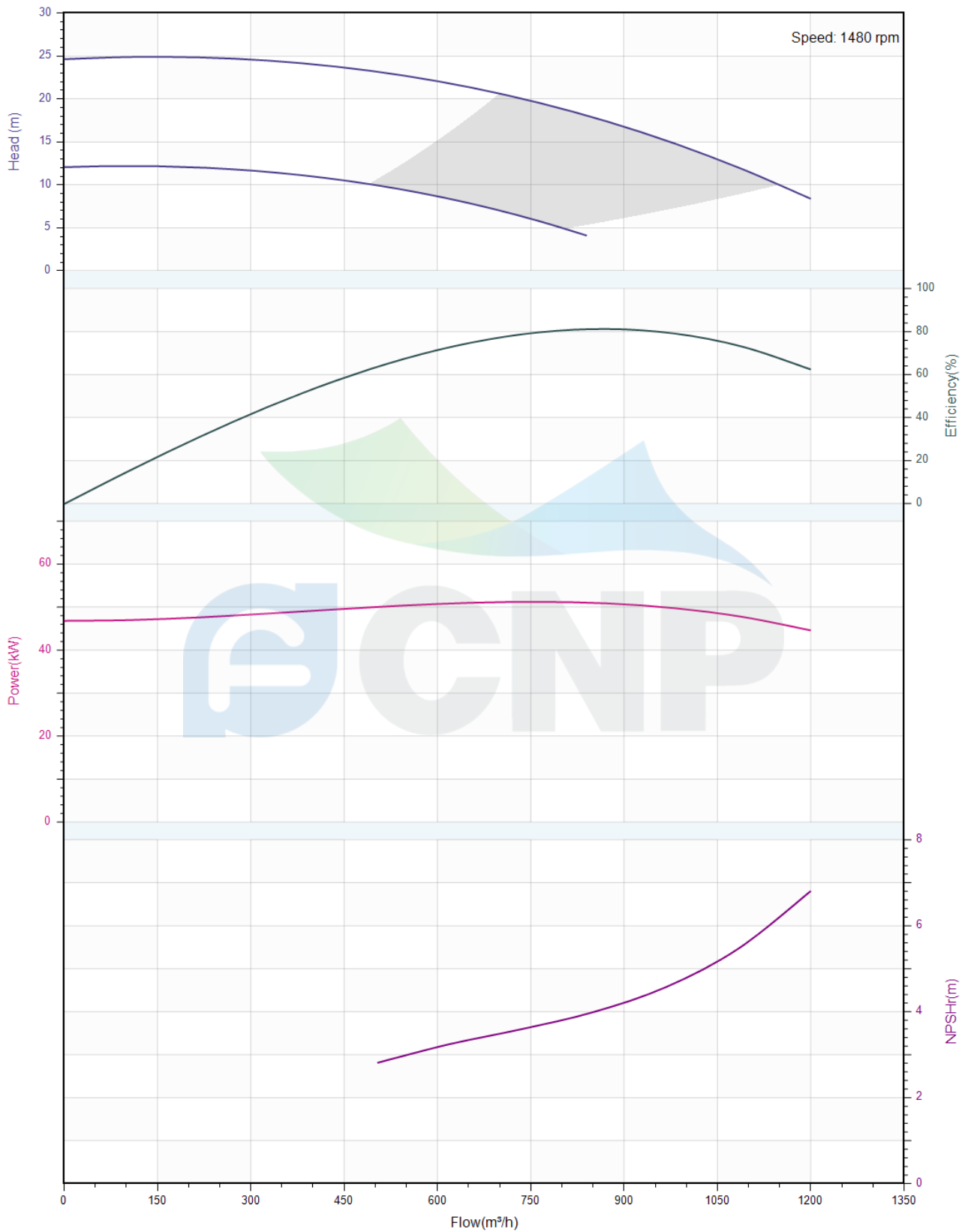
Performance Curve NIS300-250-250/55

Manufacturer	CNP
Address	Yuhang District, Hangzhou, Zhejiang,
Contact	86-571-88637351
Date	2022/03/06
Client Name	DPA
Client Addr.	
Contacts	Alireza
Contact	

Project Name

Item NO

The hydraulic performance curve have been tested with Clean Water at 20°C, density 1000kg/m³, and at 1bar atmospheric pressure. ISO99062012 Grade 3B





Pump Technical Parameters NIS300-250-250/55

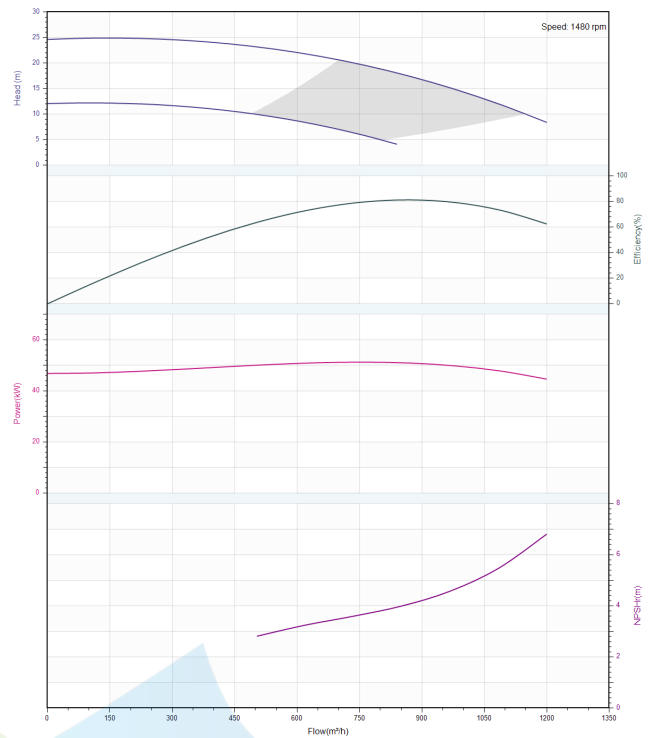
Manufacturer	CNP
Address	Yuhang District, Hangzhou, Zhejiang,
Contact	86-571-88637351
Date	2022/03/06
Client Name	DPA
Client Addr.	
Contacts	Alireza
Contact	


Rated parameters

Pump model	NIS300-250-250/55
Part NO.	1100200020
Rated flow (m ³ /h)	1000
Rated head (m)	14
Rated efficiency (%)	81.5
Power (kW)	46.81
NPSHr (m)	4.8
Speed (rpm)	1480
Max impeller diameter (mm)	320

Medium

Pumped medium	Clean Water
Working temperature (°C)	20
Medium density (kg/m ³)	1000
Viscosity (mm ² /s)	1



	Structure picture NIS300-250-250/55	Manufacturer	CNP
		Address	Yuhang District, Hangzhou, Zhejiang,
Project Name		Contact	86-571-88637351
		Date	2022/03/06
Item NO		Client Name	DPA
		Client Addr.	
		Contacts	Alireza
		Contact	



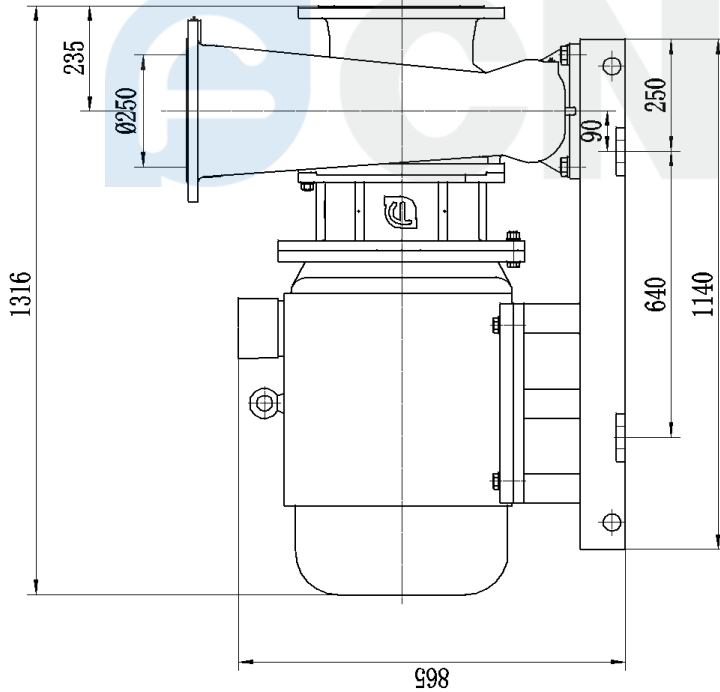
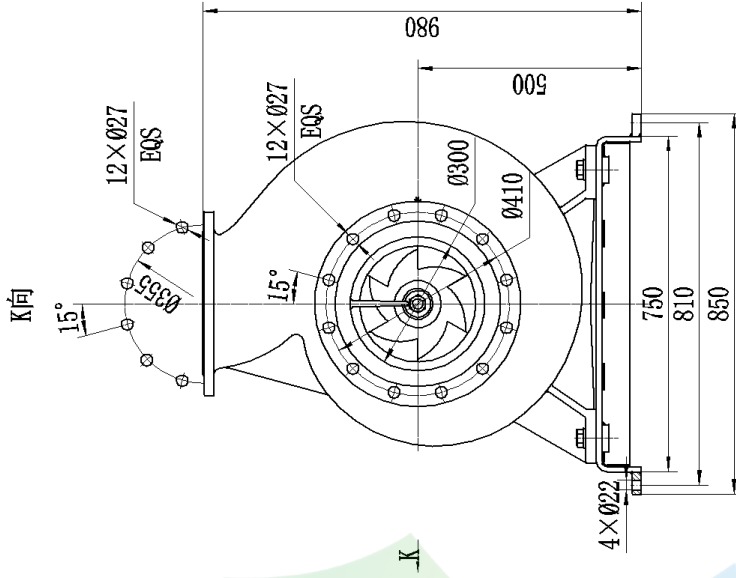


Dimension Drawing
NIS300-250-250/55

Manufacturer	CNP
Address	Yuhang District, Hangzhou, Zhejiang,
Contact	86-571-88637351
Date	2022/03/06
Client Name	DPA
Client Addr.	
Contacts	Alireza
Contact	

Project Name

Item NO



NIS300-250-250/55

南方泵业 端吸离心泵		图 样 标 记 重 量 比 例 1:13	
		NIS300-250-250/55	
安装尺寸图		共 1 页 第 1 页	
标记处数	更改文件名	签字	日期
设计	标准化		
校对	审定		
审核	日期		
工艺			

描 图
描 校
旧底图总号
底 图 总 号
签 字
日 期