	Product Information NIS250-200-250/30	Manufacturer	CNP
		Address	Yuhang District, Hangzhou, Zhejiang,
Project Name		Contact	86-571-88637351
		Date	2022/03/06
Item NO		Client Name	DPA
		Client Addr.	
		Contacts	Alireza
		Contact	

Part NO.	1100200023
----------	------------

Product Picture	Note
	<p>Non-prime single stage horizontal end suction centrifugal pump, axial inlet and radial outlet, back pull out design, easy maintenance without removing pumpbody and pipe system.</p>

technology	
Pump rotator speed	1480
Material	
Impeller	HT200
Pump body	QT500-7
Rubber code	NBR
Material Code	H
Installation	
Maximum Operation Pressure	16Bar
Maximum Inlet Pressure	6Bar
Medium	
Medium Temperature	-15~+110
Structure dimension	
Inlet & outlet size types	DN
Inlet Bore	250
Outlet Diameter	200
Rotation Direction	Anti-clockwise rotation viewing from inlet
Motor	
Number of Motor Phase	Three Phase
Protection Class	IP55
Insulation Class	F
Motor Power	30
Power Frequency	50Hz
Rated Voltage (V)	380
Rated Current (A)	56.6
Energy Efficiency Level	IE3
Seal	
Mechanical Seal	NISO-60/BSE4
Others	
Weight (kg)	580



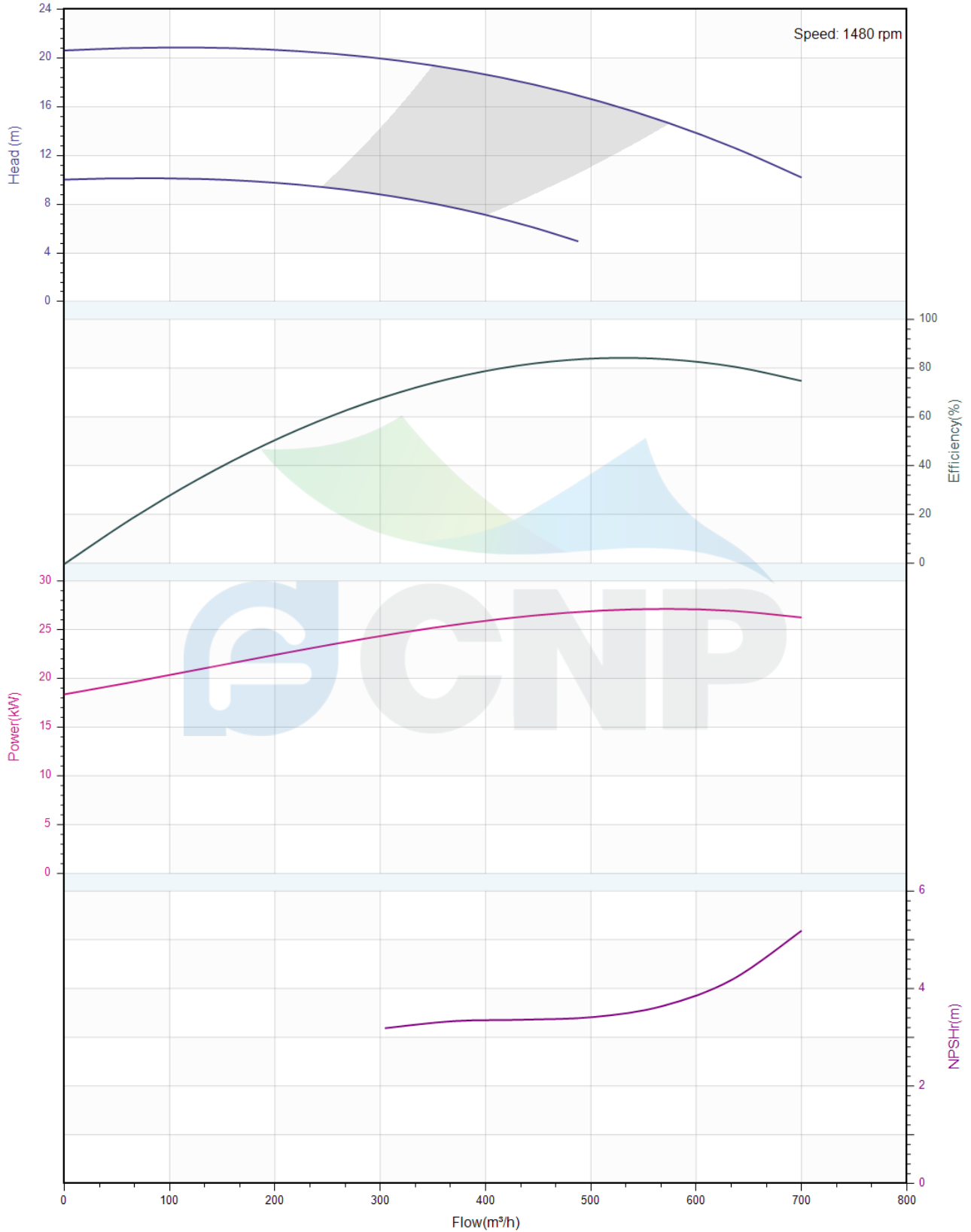
Performance Curve NIS250-200-250/30

Manufacturer	CNP
Address	Yuhang District, Hangzhou, Zhejiang,
Contact	86-571-88637351
Date	2022/03/06
Client Name	DPA
Client Addr.	
Contacts	Alireza
Contact	

Project Name

Item NO

The hydraulic performance curve have been tested with Clean Water at 20°C, density 1000kg/m³, and at 1bar atmospheric pressure. ISO99062012 Grade 3B





Pump Technical Parameters

NIS250-200-250/30

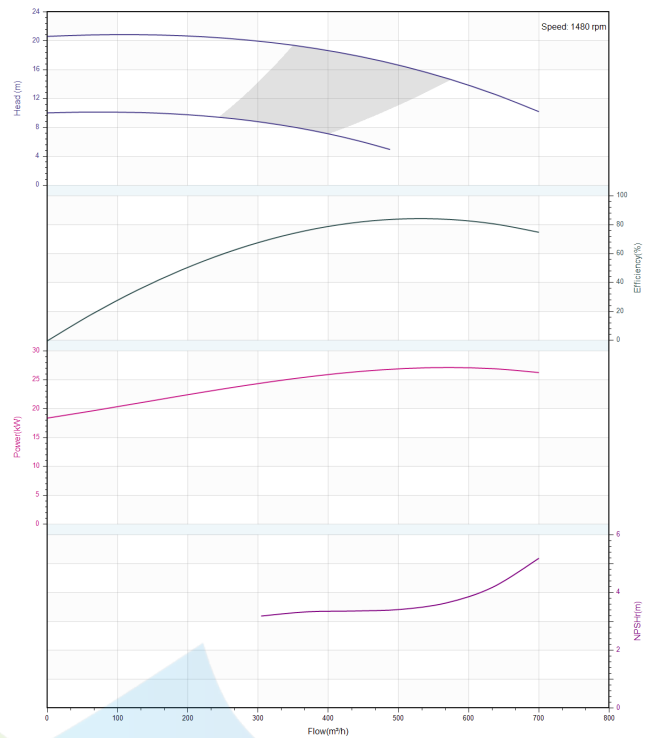
Manufacturer	CNP
Address	Yuhang District, Hangzhou, Zhejiang,
Contact	86-571-88637351
Date	2022/03/06
Client Name	DPA
Client Addr.	
Contacts	Alireza
Contact	


Rated parameters

Pump model	NIS250-200-250/30
Part NO.	1100200023
Rated flow (m ³ /h)	500
Rated head (m)	16.5
Rated efficiency (%)	84
Power (kW)	26.763
NPSHr (m)	3.6
Speed (rpm)	1480
Max impeller diameter (mm)	274

Medium

Pumped medium	Clean Water
Working temperature (°C)	20
Medium density (kg/m ³)	1000
Viscosity (mm ² /s)	1



	Structure picture NIS250-200-250/30	Manufacturer	CNP
		Address	Yuhang District, Hangzhou, Zhejiang,
Project Name		Contact	86-571-88637351
		Date	2022/03/06
Item NO		Client Name	DPA
		Client Addr.	
		Contacts	Alireza
		Contact	





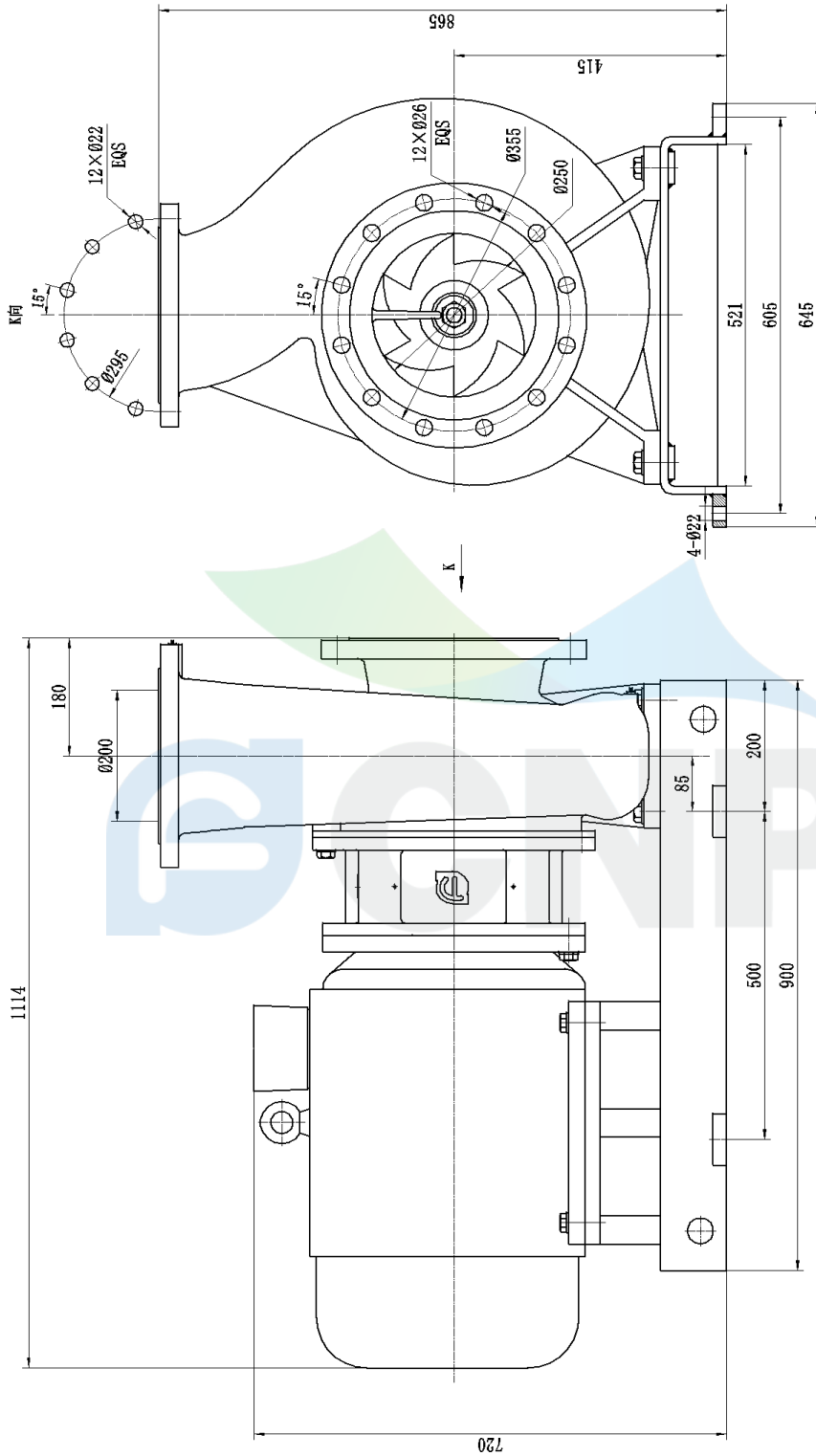
Dimension Drawing
NIS250-200-250/30

Manufacturer	CNP
Address	Yuhang District, Hangzhou, Zhejiang,
Contact	86-571-88637351
Date	2022/03/06
Client Name	DPA
Client Addr.	
Contacts	Alireza
Contact	

Project Name

Item NO

NIS250-200-250/30



		端吸离心泵	
安装尺寸图		NIS250-200-250/30	
图样	比例	1:6	
设计	审核		
校对	日期		
工艺			
标识	更改	文件	签字
日期			
共 1 页	第 1 页		

插图	
描校	
旧版图号	
版图总号	
签字	
日期	