	Product Information NIS250-200-250/22	Manufacturer	CNP
		Address	Yuhang District, Hangzhou, Zhejiang,
Project Name		Contact	86-571-88637351
		Date	2022/03/06
Item NO		Client Name	DPA
		Client Addr.	
		Contacts	Alireza
		Contact	

Part NO.	1100200022
----------	------------

Product Picture	Note
	<p>Non-prime single stage horizontal end suction centrifugal pump, axial inlet and radial outlet, back pull out design, easy maintenance without removing pumpbody and pipe system.</p>

technology	
Pump rotator speed	1480
Material	
Impeller	HT200
Pump body	QT500-7
Rubber code	NBR
Material Code	H
Installation	
Maximum Operation Pressure	16Bar
Maximum Inlet Pressure	6Bar
Medium	
Medium Temperature	-15~+110
Structure dimension	
Inlet & outlet size types	DN
Inlet Bore	250
Outlet Diameter	200
Rotation Direction	Anti-clockwise rotation viewing from inlet
Motor	
Number of Motor Phase	Three Phase
Protection Class	IP55
Insulation Class	F
Motor Power	22
Power Frequency	50Hz
Rated Voltage (V)	380
Rated Current (A)	41.8
Energy Efficiency Level	IE3
Seal	
Mechanical Seal	NISO-60/BSE4
Others	
Weight (kg)	483



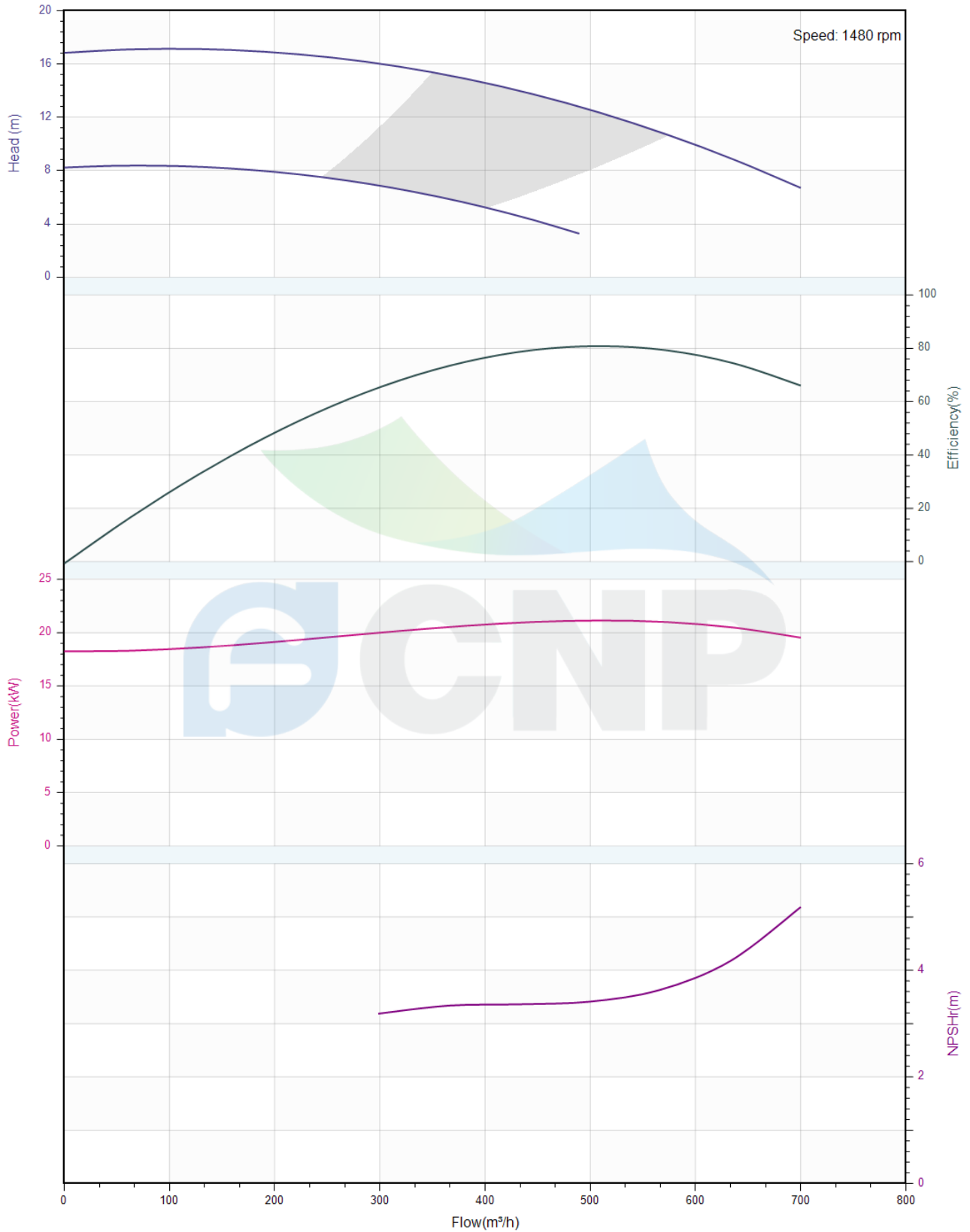
Performance Curve NIS250-200-250/22

Manufacturer	CNP
Address	Yuhang District, Hangzhou, Zhejiang,
Contact	86-571-88637351
Date	2022/03/06
Client Name	DPA
Client Addr.	
Contacts	Alireza
Contact	

Project Name

Item NO

The hydraulic performance curve have been tested with Clean Water at 20°C, density 1000kg/m³, and at 1bar atmospheric pressure. ISO99062012 Grade 3B





Pump Technical Parameters NIS250-200-250/22

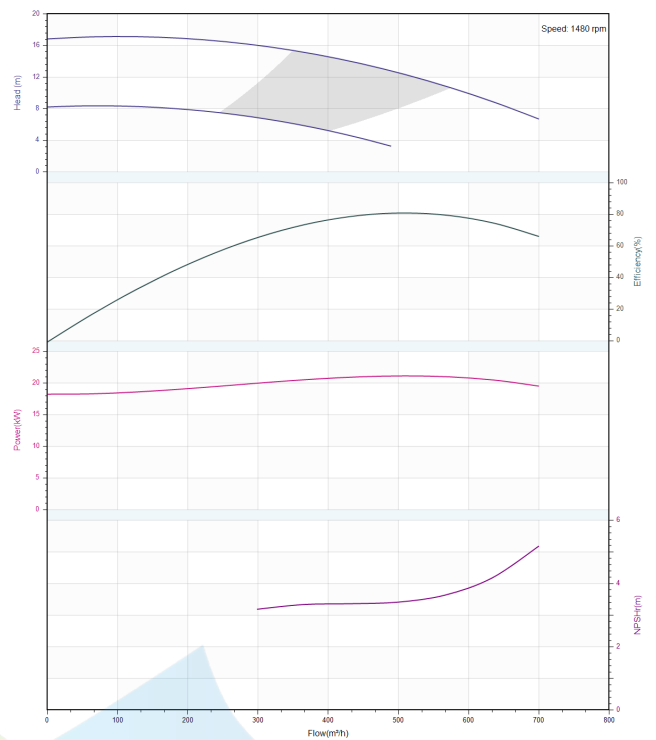
Manufacturer	CNP
Address	Yuhang District, Hangzhou, Zhejiang,
Contact	86-571-88637351
Date	2022/03/06
Client Name	DPA
Client Addr.	
Contacts	Alireza
Contact	


Rated parameters

Pump model	NIS250-200-250/22
Part NO.	1100200022
Rated flow (m ³ /h)	500
Rated head (m)	12.5
Rated efficiency (%)	81
Power (kW)	21
NPSHr (m)	3.6
Speed (rpm)	1480
Max impeller diameter (mm)	256

Medium

Pumped medium	Clean Water
Working temperature (°C)	20
Medium density (kg/m ³)	1000
Viscosity (mm ² /s)	1



	Structure picture NIS250-200-250/22	Manufacturer	CNP
		Address	Yuhang District, Hangzhou, Zhejiang,
Project Name		Contact	86-571-88637351
		Date	2022/03/06
Item NO		Client Name	DPA
		Client Addr.	
		Contacts	Alireza
		Contact	





Dimension Drawing

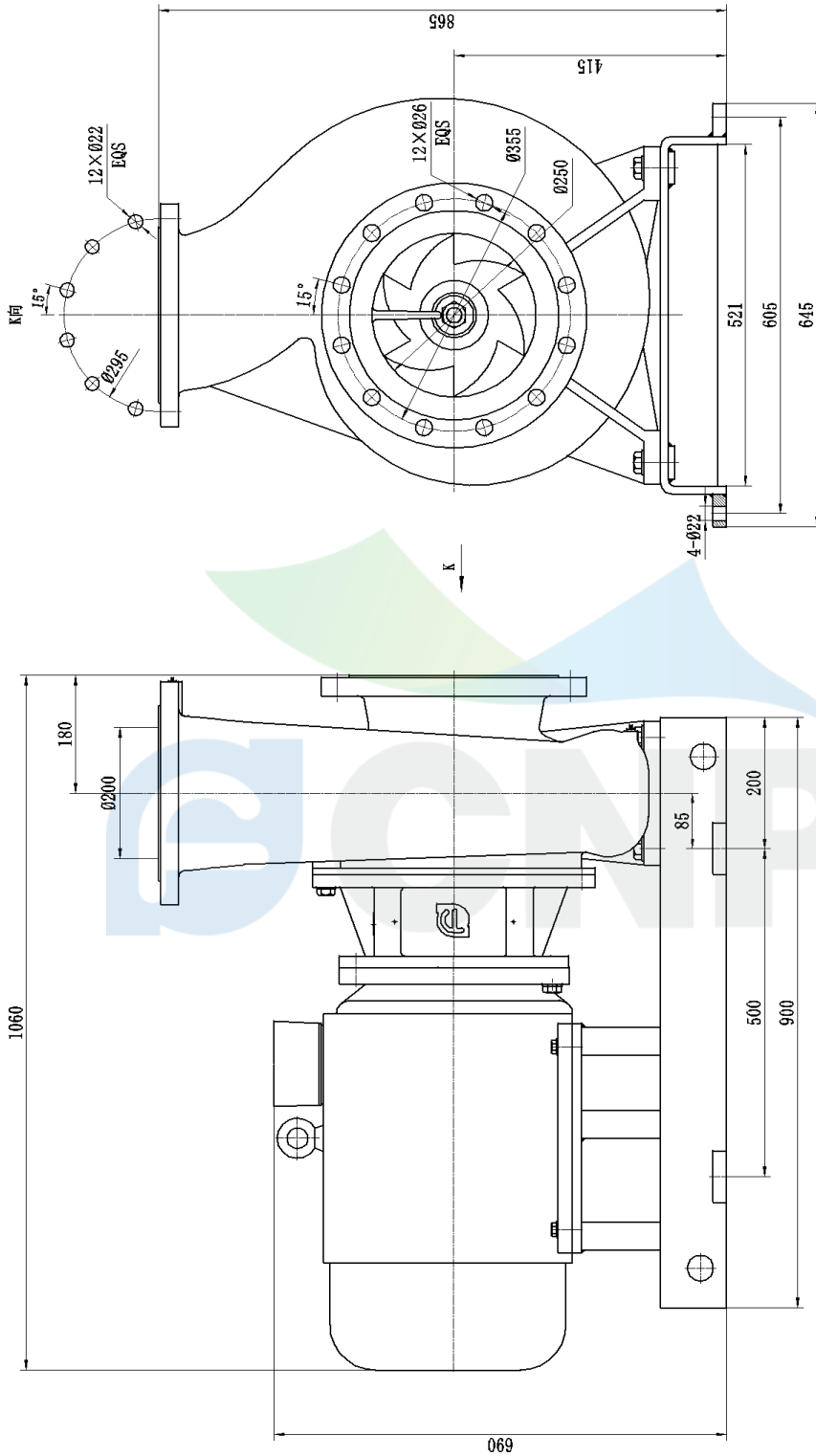
NIS250-200-250/22

Manufacturer	CNP
Address	Yuhang District, Hangzhou, Zhejiang,
Contact	86-571-88637351
Date	2022/03/06
Client Name	DPA
Client Addr.	
Contacts	Alireza
Contact	

Project Name

Item NO

NIS250-200-250/22



		端吸离心泵	
安装尺寸图		图样标记	重量比例
		1:6	1:6
		共 1 页	第 1 页
设计	校核	审核	工艺
标志处	更改文件名	签字	日期
日期	日期	日期	日期

描图	
描校	
旧版图号	
新版图号	
签字	
日期	