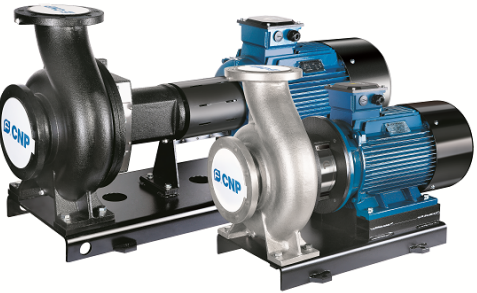
	<b>Product Information</b> <b>NIS150-125-250G/18.5</b>	Manufacturer	CNP
		Address	Yuhang District, Hangzhou, Zhejiang,
Project Name		Contact	86-571-88637351
		Date	2022/03/06
Item NO		Client Name	DPA
		Client Addr.	
		Contacts	Alireza
		Contact	

Part NO.	1100054790
----------	------------

Product Picture	Note
	<p>Non-prime single stage horizontal end suction centrifugal pump, axial inlet and radial outlet, back pull out design, easy maintenance without removing pumpbody and pipe system.</p>

<b>technology</b>	
Pump rotator speed	1480
<b>Material</b>	
Impeller	HT200
Pump body	QT500-7
Rubber code	P
Material Code	H
<b>Installation</b>	
Maximum Operation Pressure	16Bar
Maximum Inlet Pressure	6Bar
<b>Medium</b>	
Medium Temperature	-15~110
<b>Structure dimension</b>	
Inlet & outlet size types	DN
Inlet Bore	150
Outlet Diameter	125
Rotation Direction	Anti-clockwise rotation viewing from inlet
<b>Motor</b>	
Number of Motor Phase	Three Phase
Protection Class	IP55
Insulation Class	F
Motor Power	18.5
Power Frequency	50HZ
Rated Voltage (V)	380V
Rated Current (A)	35.3
Energy Efficiency Level	IE3
<b>Seal</b>	
Mechanical Seal	NISO-53/BSE4
<b>Others</b>	
Weight (kg)	315



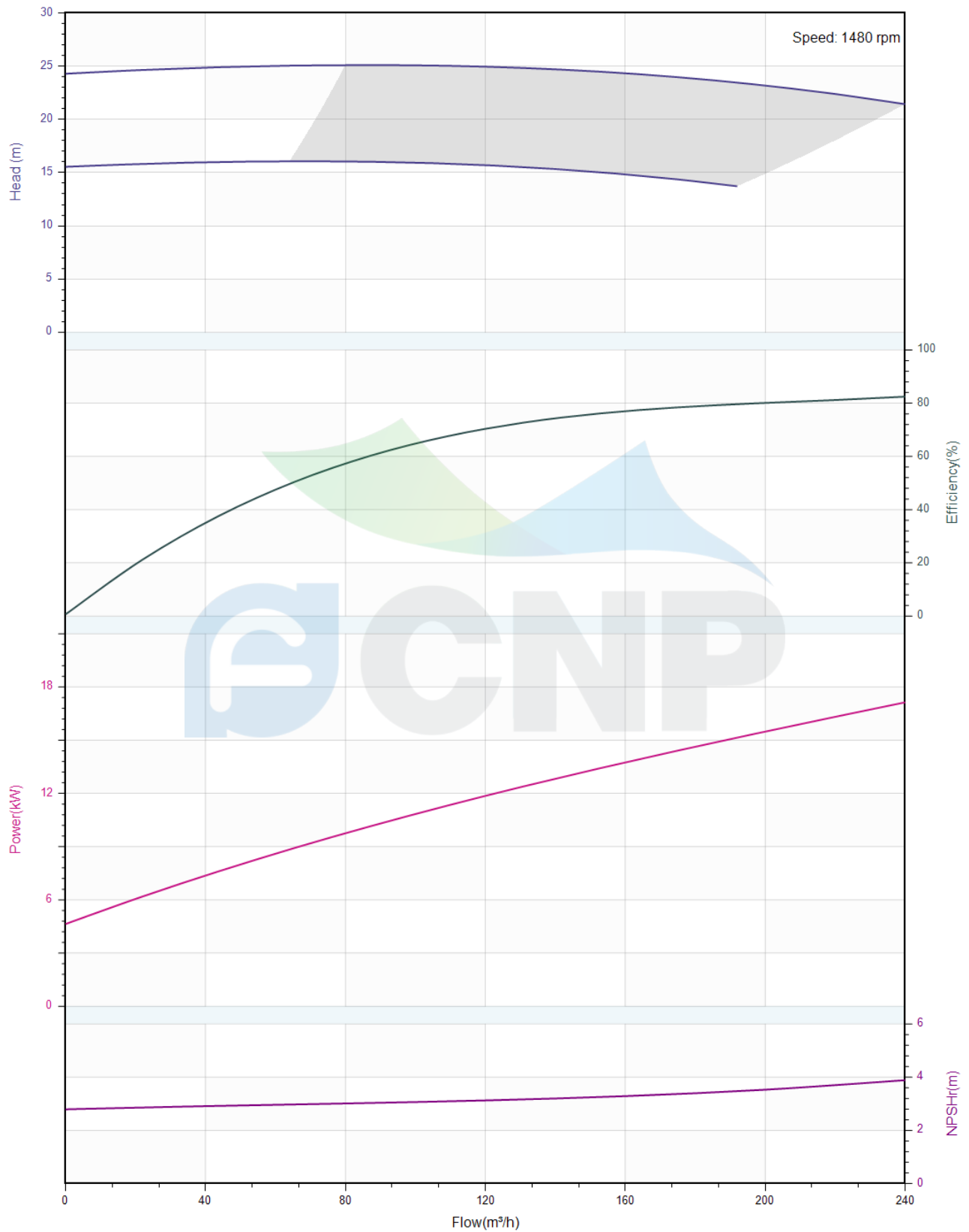
### Performance Curve NIS150-125-250G/18.5

Manufacturer	CNP
Address	Yuhang District, Hangzhou, Zhejiang,
Contact	86-571-88637351
Date	2022/03/06
Client Name	DPA
Client Addr.	
Contacts	Alireza
Contact	

Project Name

Item NO

The hydraulic performance curve have been tested with Clean Water at 20°C, density 1000kg/m<sup>3</sup>, and at 1bar atmospheric pressure. ISO99062012 Grade 3B





**Pump Technical Parameters**  
**NIS150-125-250G/18.5**

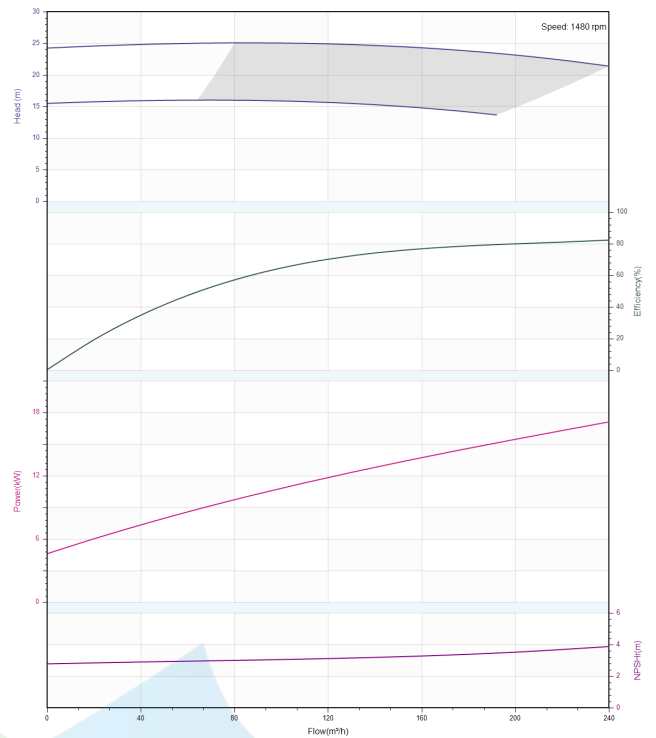
Manufacturer	CNP
Address	Yuhang District, Hangzhou, Zhejiang,
Contact	86-571-88637351
Date	2022/03/06
Client Name	DPA
Client Addr.	
Contacts	Alireza
Contact	


**Rated parameters**

Pump model	NIS150-125-250G/18.5
Part NO.	1100054790
Rated flow (m <sup>3</sup> /h)	200
Rated head (m)	23
Rated efficiency (%)	81
Power (kW)	15.48
NPSHr (m)	3.5
Speed (rpm)	1480
Max impeller diameter (mm)	260

**Medium**

Pumped medium	Clean Water
Working temperature (°C)	20
Medium density (kg/m <sup>3</sup> )	1000
Viscosity (mm <sup>2</sup> /s)	1



	<b>Structure picture</b> <b>NIS150-125-250G/18.5</b>	Manufacturer	CNP
		Address	Yuhang District, Hangzhou, Zhejiang,
Project Name		Contact	86-571-88637351
		Date	2022/03/06
Item NO		Client Name	DPA
		Client Addr.	
		Contacts	Alireza
		Contact	





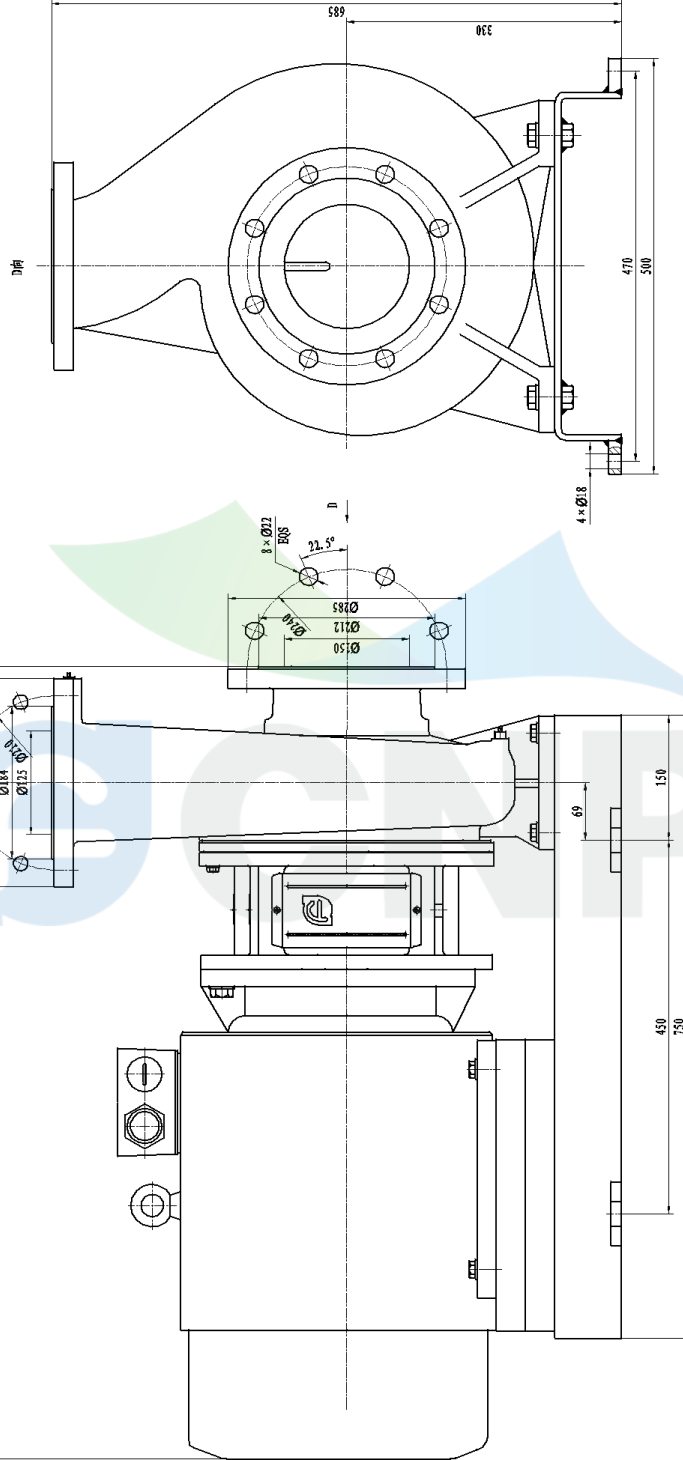
# Dimension Drawing

## NIS150-125-250G/18.5

Manufacturer	CNP
Address	Yuhang District, Hangzhou, Zhejiang,
Contact	86-571-88637351
Date	2022/03/06
Client Name	DPA
Client Addr.	
Contacts	Alireza
Contact	

Project Name

Item NO



NIS150-125-250G/18.5-00

CNP 南方泵业	
离心泵	
NIS150-125-250G/18.5-00	
图样名称	重量
比例	1:1.5
图号	共 1 页 第 1 页
日期	
设计	
校核	
审核	
工艺	

图号	
图名	
比例	
日期	
设计	
校核	
审核	
工艺	