


| | | | |
|--|--|--------------|--------------------------------------|
|  | Product Information NIS150-125-200(Q)/7.5 | Manufacturer | CNP |
| | | Address | Yuhang District, Hangzhou, Zhejiang, |
| Project Name | | Contact | 86-571-88637351 |
| | | Date | 2022/03/06 |
| Item NO | | Client Name | DPA |
| | | Client Addr. | |
| | | Contacts | Alireza |
| | | Contact | |

| | |
|----------|------------|
| Part NO. | 1100114679 |
|----------|------------|

| Product Picture | Note |
|---|---|
|  | <p>Non-prime single stage horizontal end suction centrifugal pump, axial inlet and radial outlet, back pull out design, easy maintenance without removing pumpbody and pipe system.</p> |

| | |
|----------------------------|--|
| technology | |
| Pump rotator speed | 1450 |
| Material | |
| Impeller | HT200 |
| Pump body | QT500-7 |
| Rubber code | P |
| Material Code | H |
| Installation | |
| Maximum Operation Pressure | 16Bar |
| Maximum Inlet Pressure | 6Bar |
| Medium | |
| Medium Temperature | -15~110 |
| Structure dimension | |
| Inlet & outlet size types | DN |
| Inlet Bore | 150 |
| Outlet Diameter | 125 |
| Rotation Direction | Anti-clockwise rotation viewing from inlet |
| Motor | |
| Number of Motor Phase | Three Phase |
| Protection Class | IP55 |
| Insulation Class | F |
| Motor Power | 7.5 |
| Power Frequency | 50HZ |
| Rated Voltage (V) | 380V |
| Rated Current (A) | 15.0 |
| Energy Efficiency Level | IE3 |
| Seal | |
| Mechanical Seal | NISO-53/BSE4 |
| Others | |
| Weight (kg) | 180 |



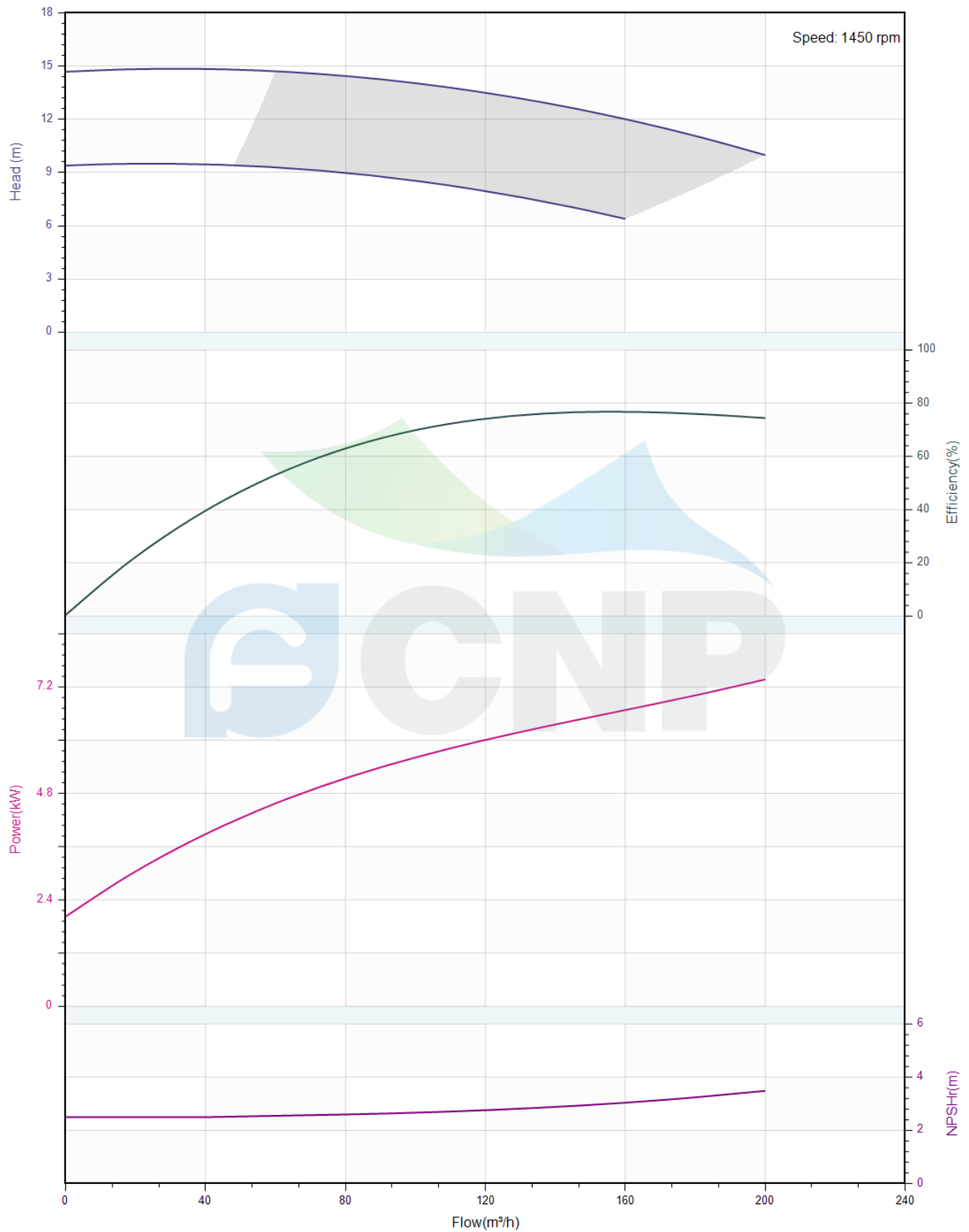
Performance Curve NIS150-125-200(Q)/7.5

| | |
|--------------|--------------------------------------|
| Manufacturer | CNP |
| Address | Yuhang District, Hangzhou, Zhejiang, |
| Contact | 86-571-88637351 |
| Date | 2022/03/06 |
| Client Name | DPA |
| Client Addr. | |
| Contacts | Alireza |
| Contact | |

Project Name

Item NO

The hydraulic performance curve have been tested with Clean Water at 20°C, density 1000kg/m³, and at 1bar atmospheric pressure. ISO99062012 Grade 3B





Pump Technical Parameters

NIS150-125-200(Q)/7.5

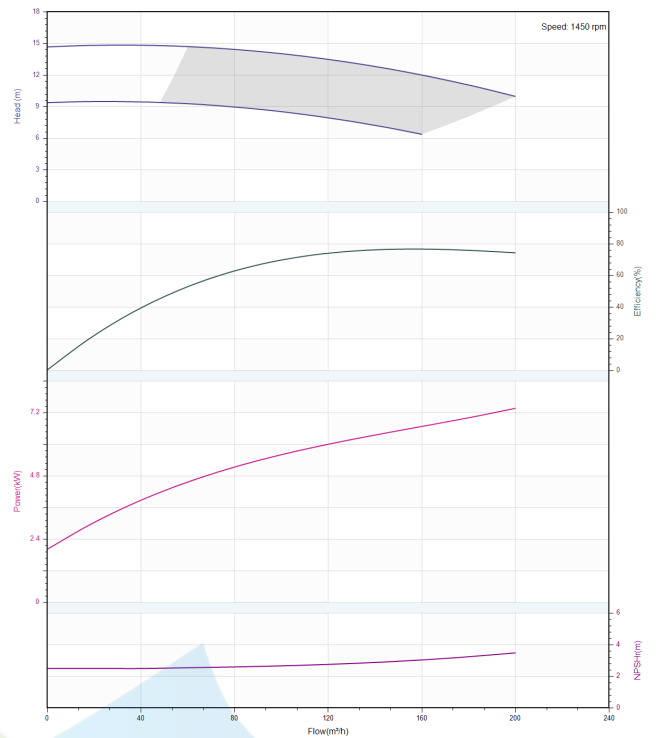
| | |
|--------------|--------------------------------------|
| Manufacturer | CNP |
| Address | Yuhang District, Hangzhou, Zhejiang, |
| Contact | 86-571-88637351 |
| Date | 2022/03/06 |
| Client Name | DPA |
| Client Addr. | |
| Contacts | Alireza |
| Contact | |


Rated parameters

| | |
|--------------------------------|-----------------------|
| Pump model | NIS150-125-200(Q)/7.5 |
| Part NO. | 1100114679 |
| Rated flow (m ³ /h) | 160 |
| Rated head (m) | 12 |
| Rated efficiency (%) | 78 |
| Power (kW) | 6.71 |
| NPSHr (m) | 3 |
| Speed (rpm) | 1450 |
| Max impeller diameter (mm) | 220 |

Medium

| | |
|-------------------------------------|-------------|
| Pumped medium | Clean Water |
| Working temperature (°C) | 20 |
| Medium density (kg/m ³) | 1000 |
| Viscosity (mm ² /s) | 1 |



| | | | |
|--|--|--------------|--------------------------------------|
|  | Structure picture NIS150-125-200(Q)/7.5 | Manufacturer | CNP |
| | | Address | Yuhang District, Hangzhou, Zhejiang, |
| Project Name | | Contact | 86-571-88637351 |
| | | Date | 2022/03/06 |
| Item NO | | Client Name | DPA |
| | | Client Addr. | |
| | | Contacts | Alireza |
| | | Contact | |





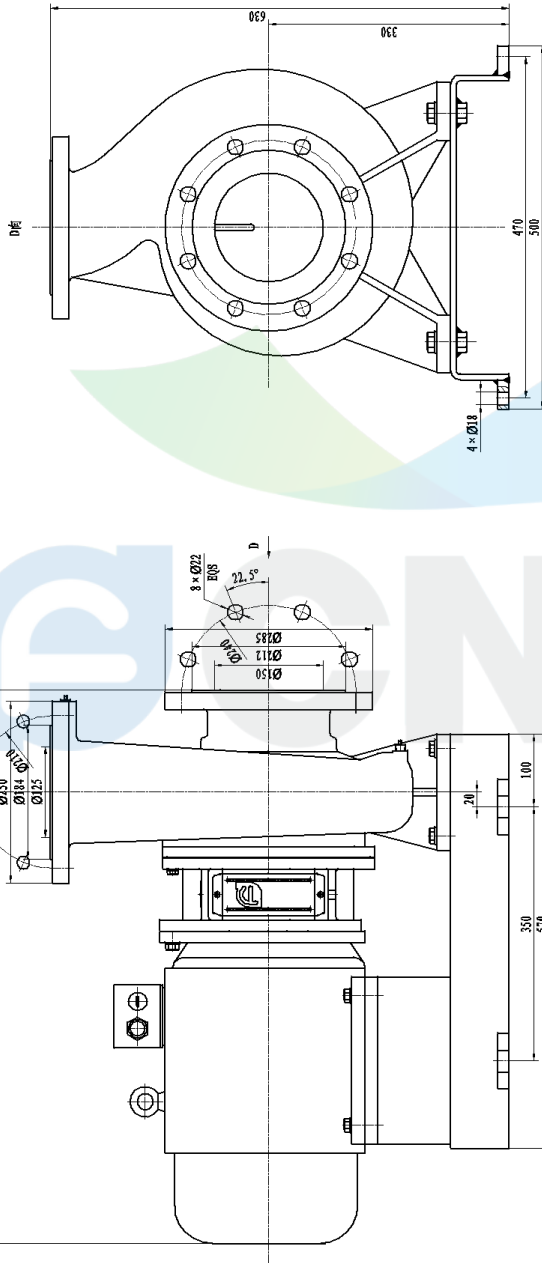
Dimension Drawing

NIS150-125-200(Q)/7.5

| | |
|--------------|--------------------------------------|
| Manufacturer | CNP |
| Address | Yuhang District, Hangzhou, Zhejiang, |
| Contact | 86-571-88637351 |
| Date | 2022/03/06 |
| Client Name | DPA |
| Client Addr. | |
| Contacts | Alireza |
| Contact | |

Project Name

Item NO



NIS150-125-200(Q)/7.5-00

| | |
|--------------------------|-------|
| CNP 南方泵业 | |
| 离心泵 | |
| NIS150-125-200(Q)/7.5-00 | |
| 图样名称 | 离心泵 |
| 图样比例 | 1:4 |
| 图样数量 | 5 |
| 图样日期 | |
| 图样编号 | |
| 图样版本 | |
| 图样状态 | |
| 图样审核 | |
| 图样批准 | |
| 图样日期 | |
| 图样页码 | 第 1 页 |
| 图样总页 | 共 1 页 |

| | |
|------|-------|
| 图样名称 | 离心泵 |
| 图样比例 | 1:4 |
| 图样数量 | 5 |
| 图样日期 | |
| 图样编号 | |
| 图样版本 | |
| 图样状态 | |
| 图样审核 | |
| 图样批准 | |
| 图样日期 | |
| 图样页码 | 第 1 页 |
| 图样总页 | 共 1 页 |