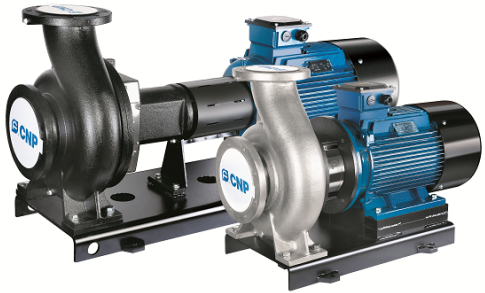
	<b>Product Information</b> <b>NIS125-100-400G/45</b>	Manufacturer	CNP
		Address	Yuhang District, Hangzhou, Zhejiang,
<b>Project Name</b>		Contact	86-571-88637351
		Date	2022/03/06
<b>Item NO</b>		Client Name	DPA
		Client Addr.	
		Contacts	Alireza
		Contact	

Part NO.	1100054785
----------	------------

Product Picture	Note
	<p>Non-prime single stage horizontal end suction centrifugal pump, axial inlet and radial outlet, back pull out design, easy maintenance without removing pumpbody and pipe system.</p>

### technology

Pump rotator speed 1480

### Material

Impeller HT200  
Pump body QT500-7  
Rubber code P  
Material Code H

### Installation

Maximum Operation Pressure 16Bar  
Maximum Inlet Pressure 6Bar

### Medium

Medium Temperature -15~110

### Structure dimension

Inlet & outlet size types DN  
Inlet Bore 125  
Outlet Diameter 100  
Rotation Direction Anti-clockwise rotation viewing from inlet

### Motor

Number of Motor Phase Three Phase  
Protection Class IP55  
Insulation Class F  
Motor Power 45  
Power Frequency 50HZ  
Rated Voltage (V) 380V  
Rated Current (A) 84.4  
Energy Efficiency Level IE3

### Seal

Mechanical Seal NISO-53/BSE4

### Others

Weight (kg) 552

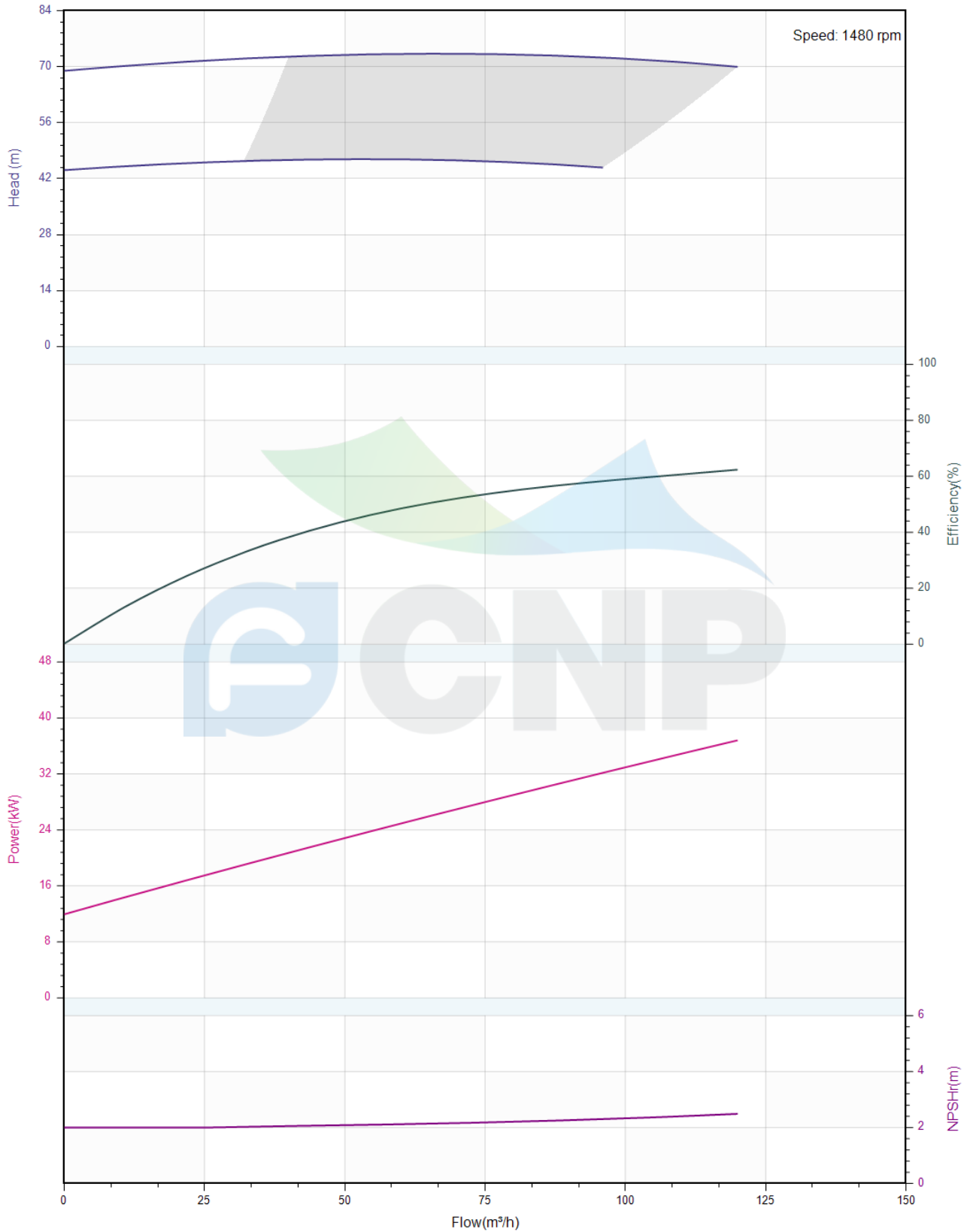


# Performance Curve NIS125-100-400G/45

Manufacturer	CNP
Address	Yuhang District, Hangzhou, Zhejiang,
Contact	86-571-88637351
Date	2022/03/06
Client Name	DPA
Client Addr.	
Contacts	Alireza
Contact	

Project Name	
Item NO	

The hydraulic performance curve have been tested with Clean Water at 20°C, density 1000kg/m<sup>3</sup>, and at 1bar atmospheric pressure. ISO99062012 Grade 3B





### Pump Technical Parameters NIS125-100-400G/45

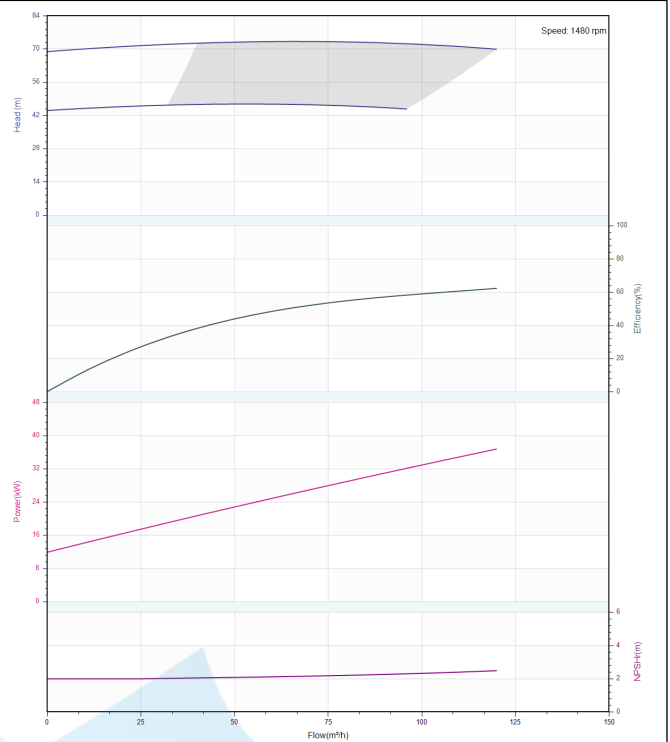
Manufacturer	CNP
Address	Yuhang District, Hangzhou, Zhejiang,
Contact	86-571-88637351
Date	2022/03/06
Client Name	DPA
Client Addr.	
Contacts	Alireza
Contact	


#### Rated parameters

Pump model	NIS125-100-400G/45
Part NO.	1100054785
Rated flow (m <sup>3</sup> /h)	100
Rated head (m)	72
Rated efficiency (%)	60
Power (kW)	32.7
NPSHr (m)	2.1
Speed (rpm)	1480
Max impeller diameter (mm)	438

#### Medium

Pumped medium	Clean Water
Working temperature (°C)	20
Medium density (kg/m <sup>3</sup> )	1000
Viscosity (mm <sup>2</sup> /s)	1



	<b>Structure picture</b> <b>NIS125-100-400G/45</b>	Manufacturer	CNP
		Address	Yuhang District, Hangzhou, Zhejiang,
Project Name		Contact	86-571-88637351
		Date	2022/03/06
Item NO		Client Name	DPA
		Client Addr.	
		Contacts	Alireza
		Contact	



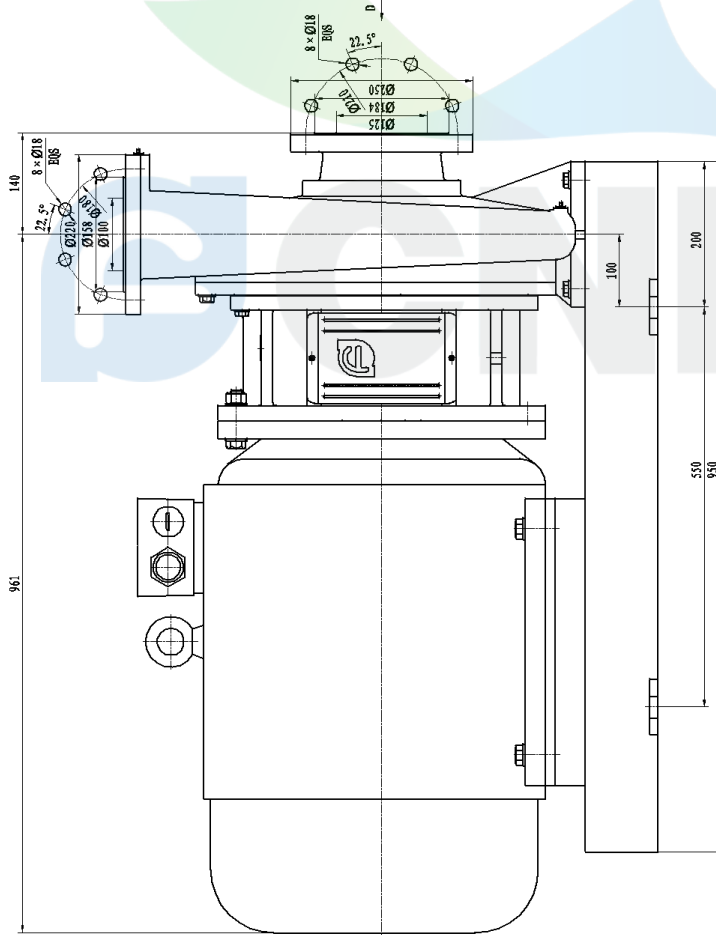
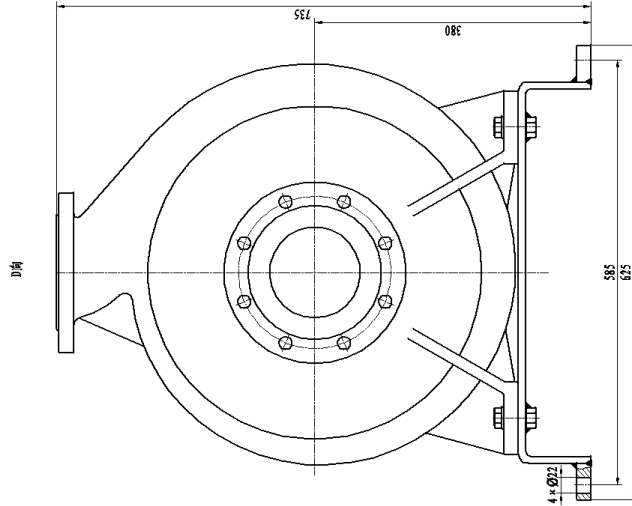


# Dimension Drawing NIS125-100-400G/45

Manufacturer	CNP
Address	Yuhang District, Hangzhou, Zhejiang,
Contact	86-571-88637351
Date	2022/03/06
Client Name	DPA
Client Addr.	
Contacts	Alireza
Contact	

Project Name

Item NO



NIS125-100-400G/45-00

CNP 南方泵业	
离心泵	
NIS125-100-400G/45-00	
图样名称	离心泵
图样比例	1:4
图样数量	1
图样日期	
设计	
校核	
审核	
工艺	
日期	

图号	
图名	
比例	
日期	
设计	
校核	
审核	
工艺	