


| | | | |
|--|--|--------------|--------------------------------------|
|  | Product Information NIS125-100-200G/5.5 | Manufacturer | CNP |
| | | Address | Yuhang District, Hangzhou, Zhejiang, |
| Project Name | | Contact | 86-571-88637351 |
| | | Date | 2022/03/06 |
| | | Client Name | DPA |
| Item NO | | Client Addr. | |
| | | Contacts | Alireza |
| | | Contact | |

| | |
|----------|------------|
| Part NO. | 1100159073 |
|----------|------------|

| Product Picture | Note |
|---|---|
|  | <p>Non-prime single stage horizontal end suction centrifugal pump, axial inlet and radial outlet, back pull out design, easy maintenance without removing pumpbody and pipe system.</p> |

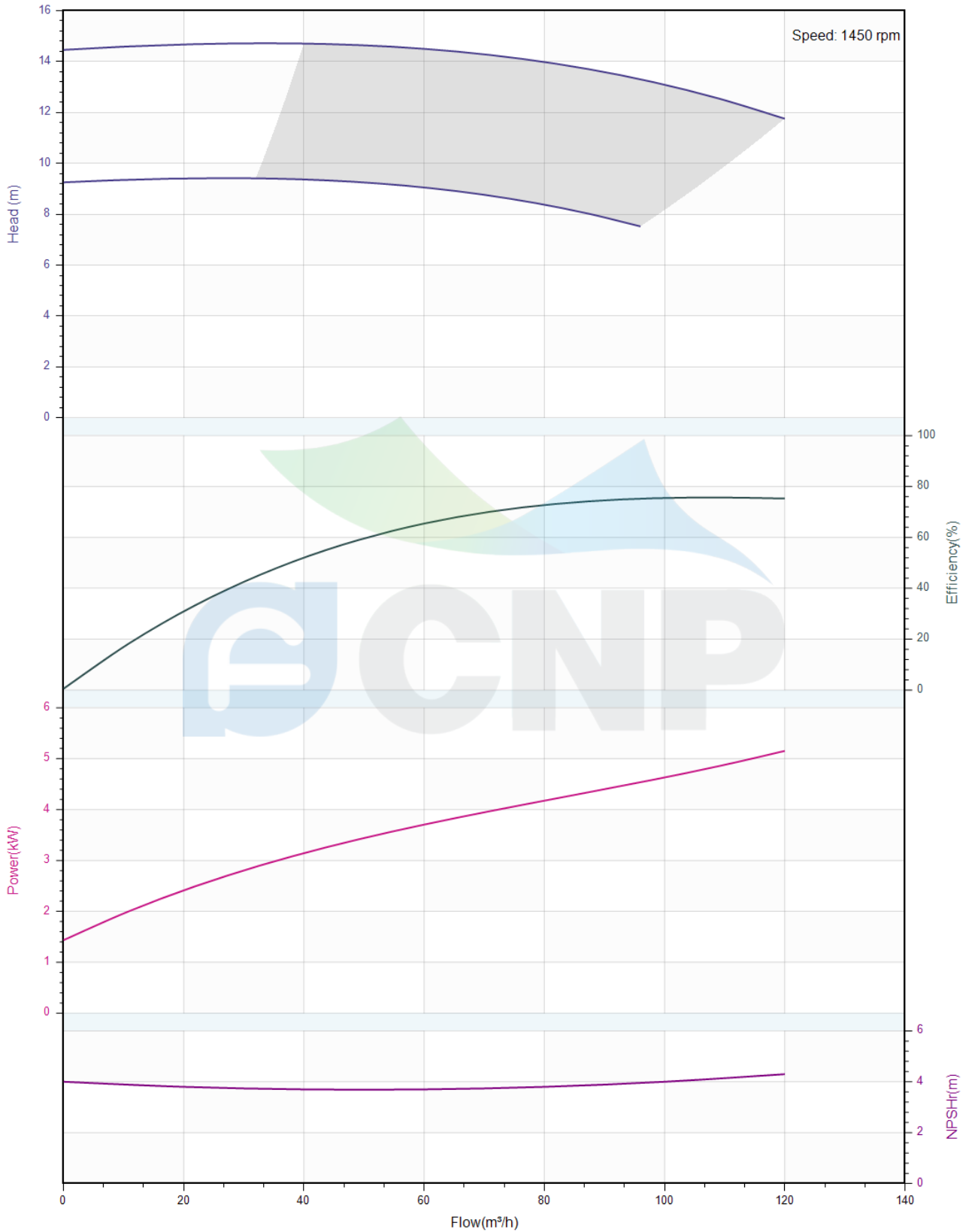
| | |
|----------------------------|--|
| technology | |
| Pump rotator speed | 1450 |
| Material | |
| Impeller | HT200 |
| Pump body | QT500-7 |
| Rubber code | P |
| Material Code | H |
| Installation | |
| Maximum Operation Pressure | 16Bar |
| Maximum Inlet Pressure | 6Bar |
| Medium | |
| Medium Temperature | -15~110 |
| Structure dimension | |
| Inlet & outlet size types | DN |
| Inlet Bore | 125 |
| Outlet Diameter | 100 |
| Rotation Direction | Anti-clockwise rotation viewing from inlet |
| Motor | |
| Number of Motor Phase | Three Phase |
| Protection Class | IP55 |
| Insulation Class | F |
| Motor Power | 5.5 |
| Power Frequency | 50HZ |
| Rated Voltage (V) | 380V |
| Rated Current (A) | 11.2 |
| Energy Efficiency Level | IE3 |
| Seal | |
| Mechanical Seal | NISO-43/BSE4 |
| Others | |
| Weight (kg) | 152 |



Performance Curve NIS125-100-200G/5.5

| | |
|--------------|--------------------------------------|
| Manufacturer | CNP |
| Address | Yuhang District, Hangzhou, Zhejiang, |
| Contact | 86-571-88637351 |
| Date | 2022/03/06 |
| Client Name | DPA |
| Client Addr. | |
| Contacts | Alireza |
| Contact | |

The hydraulic performance curve have been tested with Clean Water at 20°C, density 1000kg/m³, and at 1bar atmospheric pressure. ISO99062012 Grade 3B





Pump Technical Parameters NIS125-100-200G/5.5

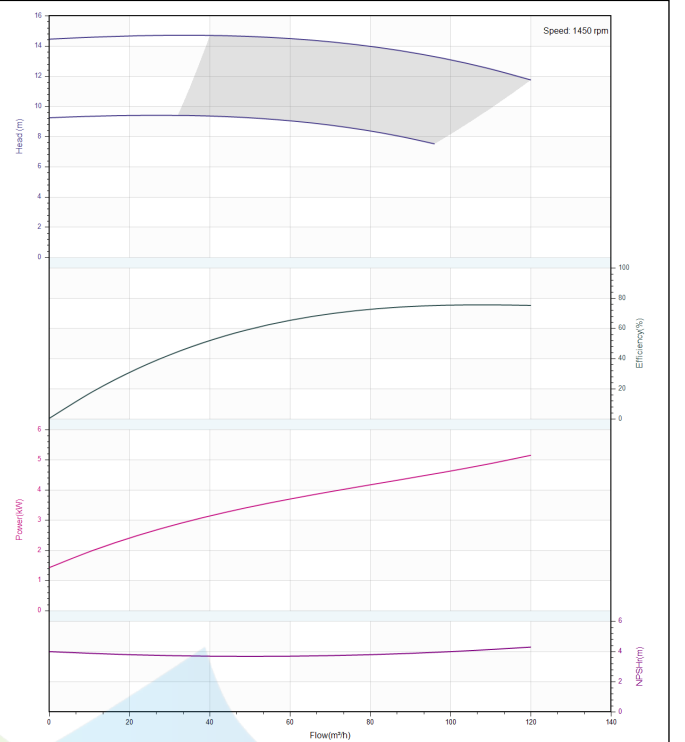
| | |
|--------------|--------------------------------------|
| Manufacturer | CNP |
| Address | Yuhang District, Hangzhou, Zhejiang, |
| Contact | 86-571-88637351 |
| Date | 2022/03/06 |
| Client Name | DPA |
| Client Addr. | |
| Contacts | Alireza |
| Contact | |


Rated parameters

| | |
|--------------------------------|---------------------|
| Pump model | NIS125-100-200G/5.5 |
| Part NO. | 1100159073 |
| Rated flow (m ³ /h) | 100 |
| Rated head (m) | 13 |
| Rated efficiency (%) | 76 |
| Power (kW) | 4.66 |
| NPSHr (m) | 4.2 |
| Speed (rpm) | 1450 |
| Max impeller diameter (mm) | 202 |

Medium

| | |
|-------------------------------------|-------------|
| Pumped medium | Clean Water |
| Working temperature (°C) | 20 |
| Medium density (kg/m ³) | 1000 |
| Viscosity (mm ² /s) | 1 |



| | | | |
|--|--|--------------|--------------------------------------|
|  | Structure picture NIS125-100-200G/5.5 | Manufacturer | CNP |
| | | Address | Yuhang District, Hangzhou, Zhejiang, |
| Project Name | | Contact | 86-571-88637351 |
| | | Date | 2022/03/06 |
| Item NO | | Client Name | DPA |
| | | Client Addr. | |
| | | Contacts | Alireza |
| | | Contact | |



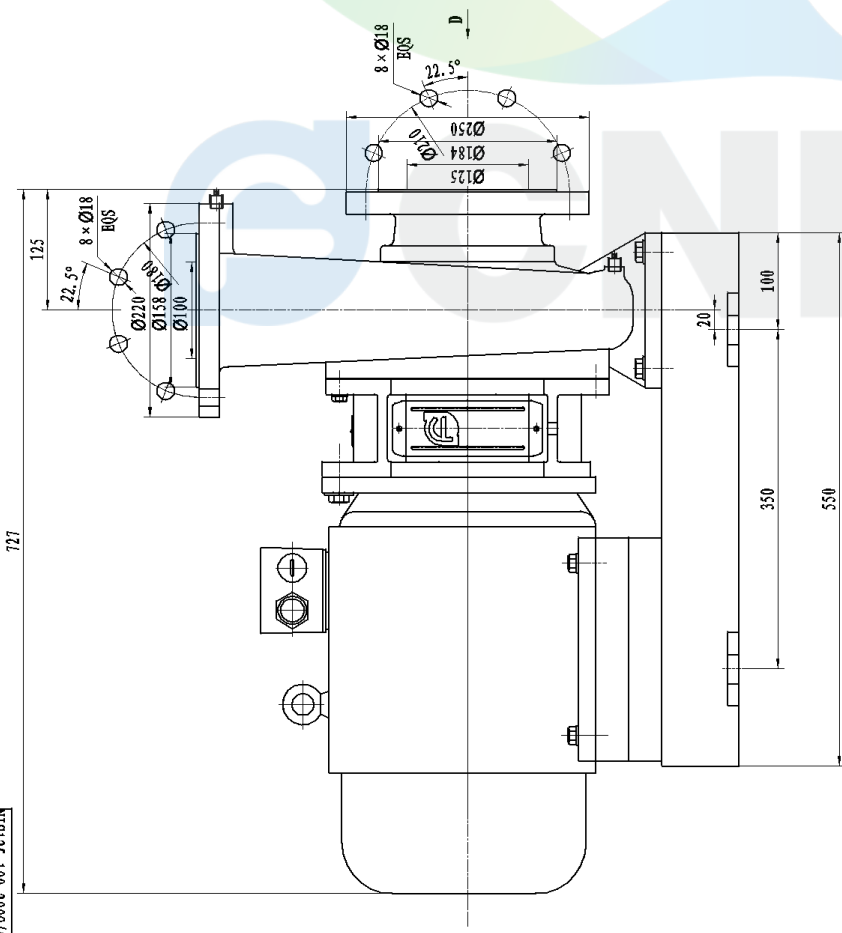
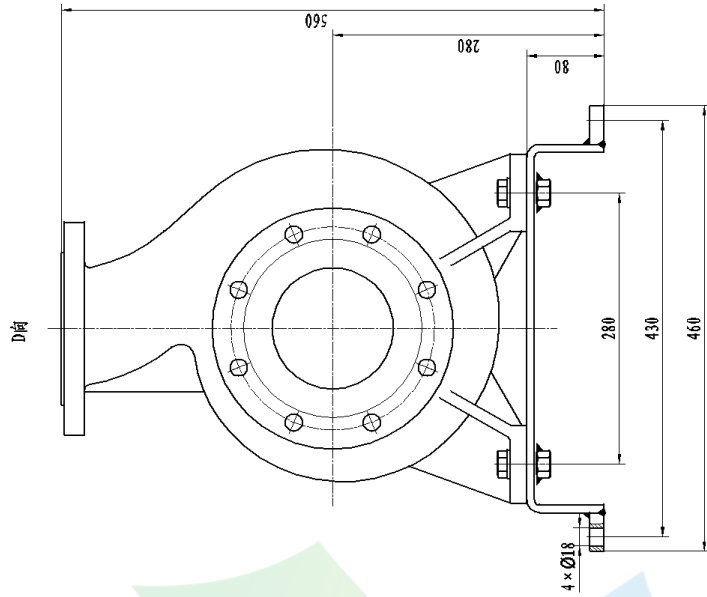


Dimension Drawing
NIS125-100-200G/5.5

| | |
|--------------|--------------------------------------|
| Manufacturer | CNP |
| Address | Yuhang District, Hangzhou, Zhejiang, |
| Contact | 86-571-88637351 |
| Date | 2022/03/06 |
| Client Name | DPA |
| Client Addr. | |
| Contacts | Alireza |
| Contact | |

Project Name

Item NO



NIS125-100-200G/5.5

| | |
|---------------------|-------|
| CNP 南方泵业 | |
| 端吸离心泵 | |
| NIS125-100-200G/5.5 | |
| 图样名称 | 安装尺寸图 |
| 图样代号 | S |
| 数量 | 1:1 |
| 比例 | 第 1 页 |
| 共 1 页 | 第 1 页 |
| 设计 | 日期 |
| 审核 | 日期 |
| 工艺 | 日期 |

| | |
|----|--|
| 制图 | |
| 审核 | |
| 批准 | |
| 日期 | |