	Product Information NIS100-65-250G/45	Manufacturer	CNP
		Address	Yuhang District, Hangzhou, Zhejiang,
Project Name		Contact	86-571-88637351
		Date	2022/03/06
Item NO		Client Name	DPA
		Client Addr.	
		Contacts	Alireza
		Contact	

Part NO.	1100054769
----------	------------

Product Picture	Note
	<p>Non-prime single stage horizontal end suction centrifugal pump, axial inlet and radial outlet, back pull out design, easy maintenance without removing pumpbody and pipe system.</p>

technology	
Pump rotator speed	2950
Material	
Impeller	HT200
Pump body	QT500-7
Rubber code	P
Material Code	H
Installation	
Maximum Operation Pressure	16Bar
Maximum Inlet Pressure	6Bar
Medium	
Medium Temperature	-15~110
Structure dimension	
Inlet & outlet size types	DN
Inlet Bore	100
Outlet Diameter	65
Rotation Direction	Anti-clockwise rotation viewing from inlet
Motor	
Number of Motor Phase	Three Phase
Protection Class	IP55
Insulation Class	F
Motor Power	45
Power Frequency	50HZ
Rated Voltage (V)	380V
Rated Current (A)	80.8
Energy Efficiency Level	IE3
Seal	
Mechanical Seal	NISO-43/BSE4
Others	
Weight (kg)	426



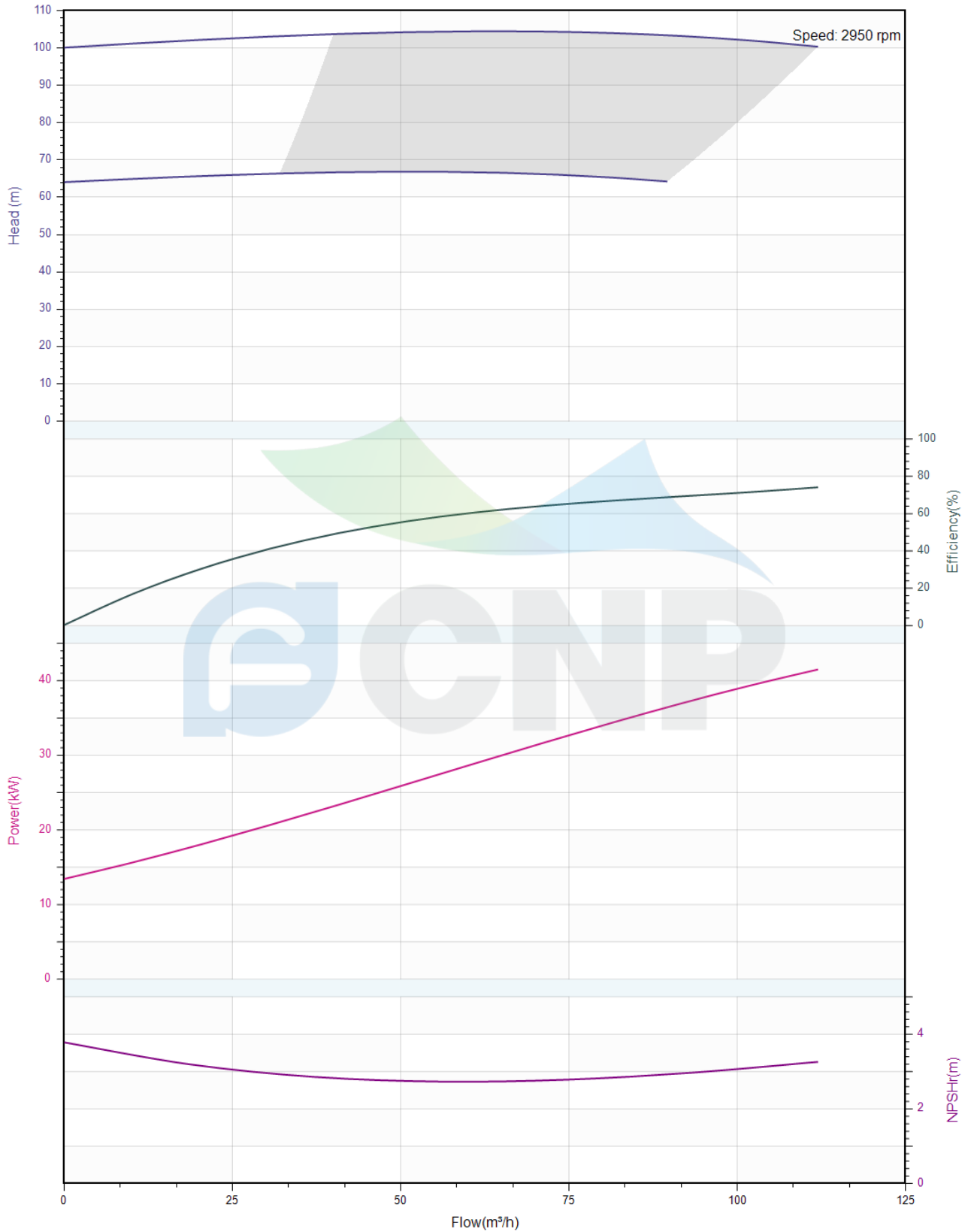
Performance Curve NIS100-65-250G/45

Manufacturer	CNP
Address	Yuhang District, Hangzhou, Zhejiang,
Contact	86-571-88637351
Date	2022/03/06
Client Name	DPA
Client Addr.	
Contacts	Alireza
Contact	

Project Name

Item NO

The hydraulic performance curve have been tested with Clean Water at 20°C, density 1000kg/m³, and at 1bar atmospheric pressure. ISO99062012 Grade 3B





Pump Technical Parameters

NIS100-65-250G/45

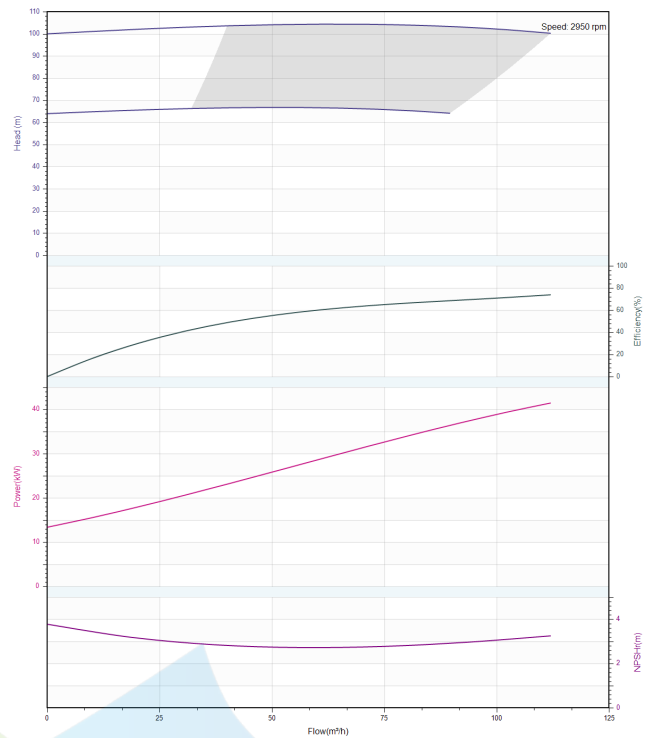
Manufacturer	CNP
Address	Yuhang District, Hangzhou, Zhejiang,
Contact	86-571-88637351
Date	2022/03/06
Client Name	DPA
Client Addr.	
Contacts	Alireza
Contact	


Rated parameters

Pump model	NIS100-65-250G/45
Part NO.	1100054769
Rated flow (m ³ /h)	100
Rated head (m)	103
Rated efficiency (%)	72
Power (kW)	39
NPSHr (m)	3
Speed (rpm)	2950
Max impeller diameter (mm)	260

Medium

Pumped medium	Clean Water
Working temperature (°C)	20
Medium density (kg/m ³)	1000
Viscosity (mm ² /s)	1



	Structure picture NIS100-65-250G/45	Manufacturer	CNP
		Address	Yuhang District, Hangzhou, Zhejiang,
Project Name		Contact	86-571-88637351
		Date	2022/03/06
Item NO		Client Name	DPA
		Client Addr.	
		Contacts	Alireza
		Contact	



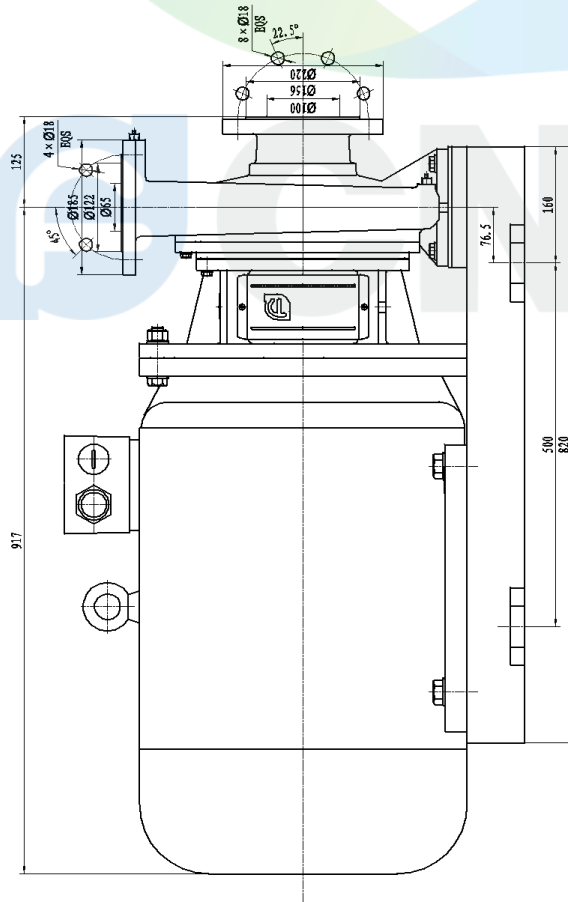
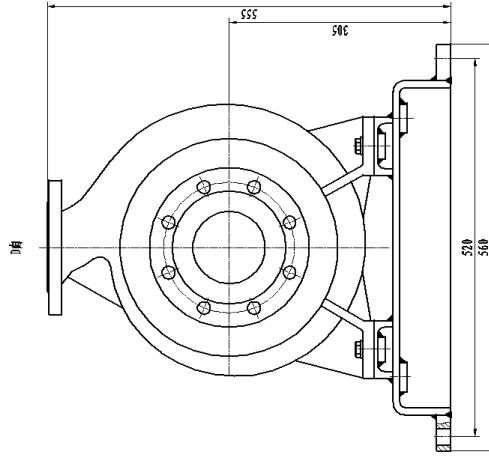


Dimension Drawing NIS100-65-250G/45

Manufacturer	CNP
Address	Yuhang District, Hangzhou, Zhejiang,
Contact	86-571-88637351
Date	2022/03/06
Client Name	DPA
Client Addr.	
Contacts	Alireza
Contact	

Project Name

Item NO



NIS100-65-250G/45-00

CNP 南方泵业	
端吸离心泵	
NIS100-65-250G/45-00	
图样名称	重量
比例	1:4
图样编号	共 1 页
第 1 页	第 1 页
设计	日期
审核	日期
工艺	日期

图号	
图名	
比例	
图样编号	
重量	
日期	