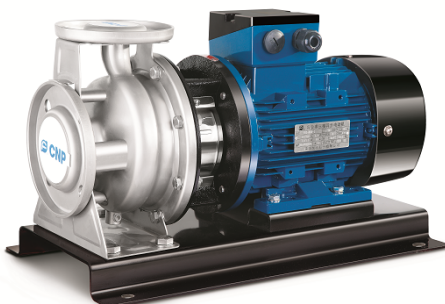
	<b>Product Information</b> <b>ZS80-65-200/18.5</b>	Manufacturer	CNP
		Address	Yuhang District, Hangzhou, Zhejiang,
<b>Project Name</b>		Contact	86-571-88637351
		Date	2022/03/09
<b>Item NO</b>		Client Name	DPA
		Client Addr.	
		Contacts	Alireza
		Contact	

Part NO.	1100043064
----------	------------

Product Picture	Note
	Stainless steel horizontal single stage centrifugal pump, pumpbody produced with stainless steel stamping, expanding and welding technology, can replace the traditional IS pump and general corrosion resistant pumps, axial inlet and radial outlet.

<b>technology</b>	
Pump rotator speed	2950
Nameplate standards	CE
<b>Material</b>	
Impeller	304
Rubber code	P
Material Code	S
<b>Installation</b>	
Maximum Operation Pressure	10bar
Maximum Altitude	1000m
<b>Medium</b>	
Maximum Environment Temper	40
Liquid Temperature Range	-20+100
<b>Motor</b>	
Number of Motor Phase	Three Phase
Protection Class	IP55
Insulation Class	F
Motor Power	18.5KW
Power Frequency	50HZ
Rated Voltage (V)	380V
Rated Current (A)	34.2
Energy Efficiency Level	IE3
<b>Seal</b>	
Mechanical Seal	ZS-24/BSE4
<b>Others</b>	
Weight (kg)	190



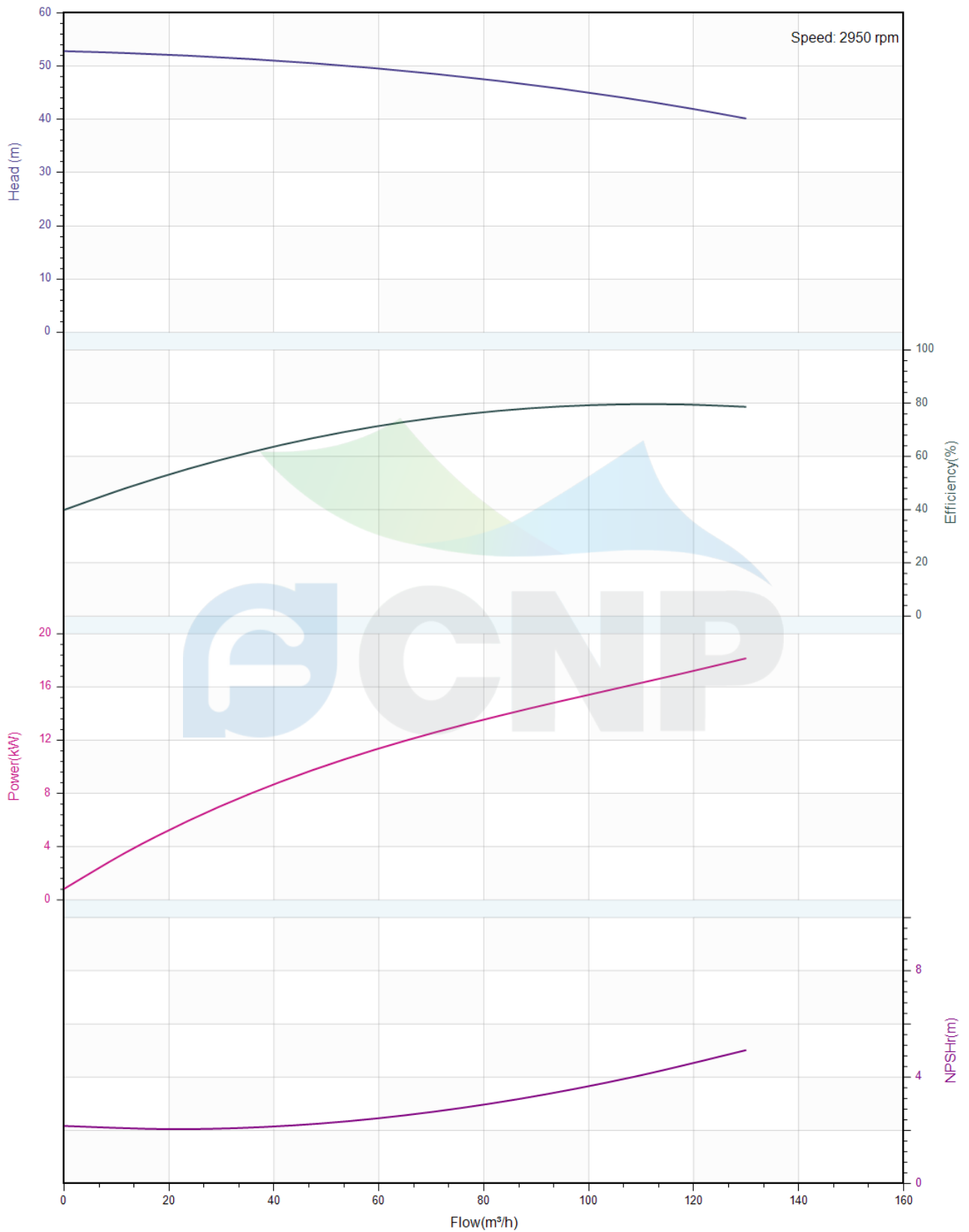
# Performance Curve ZS80-65-200/18.5

Manufacturer	CNP
Address	Yuhang District, Hangzhou, Zhejiang,
Contact	86-571-88637351
Date	2022/03/09
Client Name	DPA
Client Addr.	
Contacts	Alireza
Contact	

Project Name

Item NO

The hydraulic performance curve have been tested with Clean Water at 20°C, density 1000kg/m<sup>3</sup>, and at 1bar atmospheric pressure. ISO99062012 Grade 3B





## Pump Technical Parameters ZS80-65-200/18.5

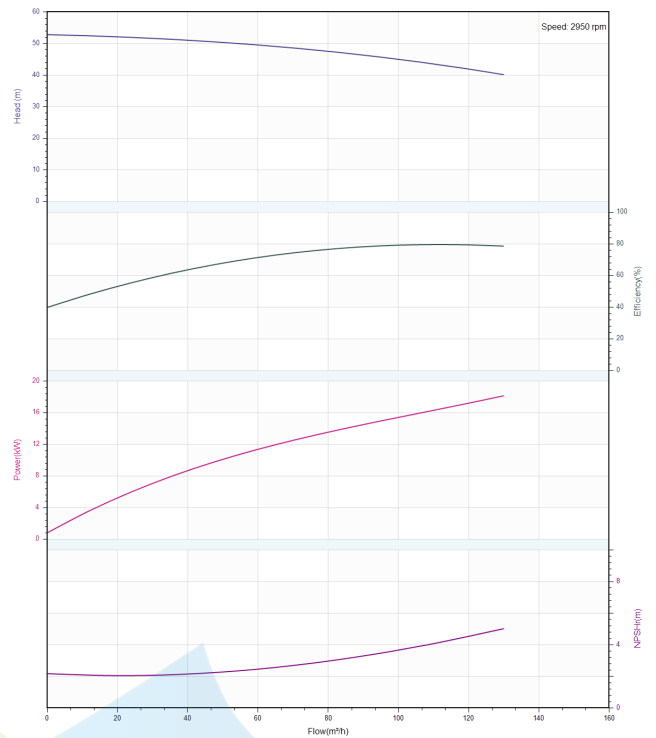
Manufacturer	CNP
Address	Yuhang District, Hangzhou, Zhejiang,
Contact	86-571-88637351
Date	2022/03/09
Client Name	DPA
Client Addr.	
Contacts	Alireza
Contact	

### Rated parameters

Pump model	ZS80-65-200/18.5
Part NO.	1100043064
Rated flow (m <sup>3</sup> /h)	100
Rated head (m)	45
Rated efficiency (%)	78
Power (kW)	15.72
NPSHr (m)	4
Speed (rpm)	2950
Max impeller diameter (mm)	187

### Medium

Pumped medium	Clean Water
Working temperature (°C)	20
Medium density (kg/m <sup>3</sup> )	1000
Viscosity (mm <sup>2</sup> /s)	1



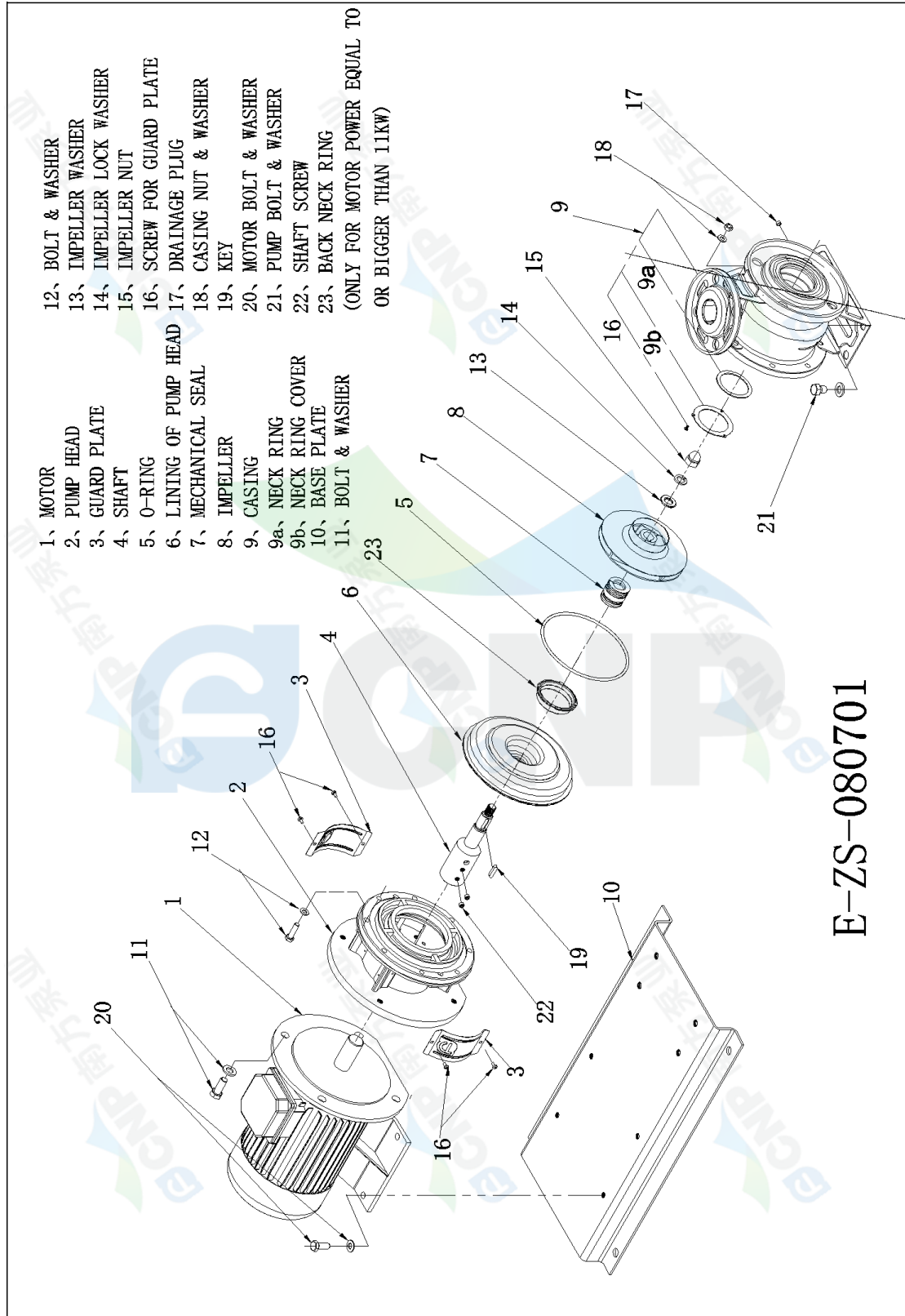


**Structure picture**  
**ZS80-65-200/18.5**

Manufacturer	CNP
Address	Yuhang District, Hangzhou, Zhejiang,
Contact	86-571-88637351
Date	2022/03/09
Client Name	DPA
Client Addr.	
Contacts	Alireza
Contact	

Project Name

Item NO



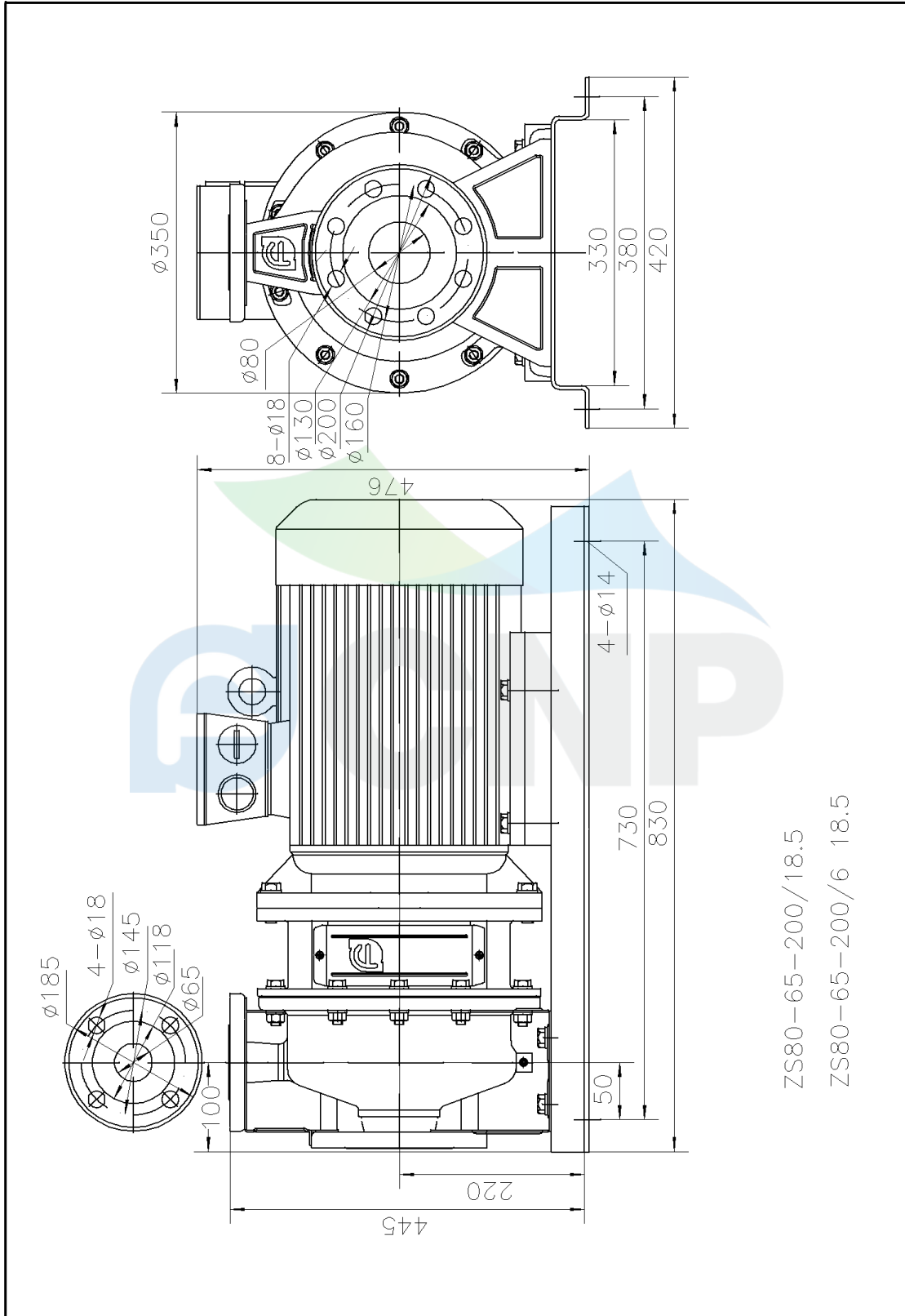
E-ZS-080701



**Dimension Drawing**  
**ZS80-65-200/18.5**

Manufacturer	CNP
Address	Yuhang District, Hangzhou, Zhejiang,
Contact	86-571-88637351
Date	2022/03/09
Client Name	DPA
Client Addr.	
Contacts	Alireza
Contact	

Project Name	
Item NO	



ZS80-65-200/18.5

ZS80-65-200/6 18.5