
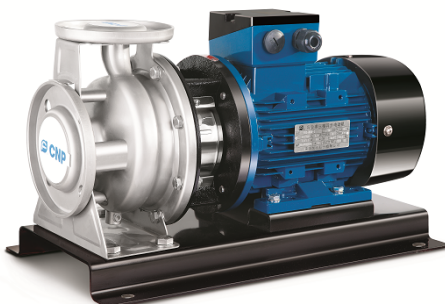


|  |  |              |                                      |
|--|--|--------------|--------------------------------------|
|  | <b>Product Information</b><br><b>ZS50-32-200/4.0</b> | Manufacturer | CNP                                  |
|  |  | Address      | Yuhang District, Hangzhou, Zhejiang, |
| Project Name   |  | Contact      | 86-571-88637351                      |
|  |  | Date         | 2022/03/08                           |
| Item NO  |  | Client Name  | DPA                                  |
|  |  | Client Addr. |                                      |
|  |  | Contacts     | Alireza                              |
|  |  | Contact      |                                      |

|          |            |
|----------|------------|
| Part NO. | 1100043668 |
|----------|------------|

| Product Picture   | Note  |
|---|---|
|  | <p>Stainless steel horizontal single stage centrifugal pump, pumpbody produced with stainless steel stamping, expanding and welding technology, can replace the traditional IS pump and general corrosion resistant pumps, axial inlet and radial outlet.</p> |

|                            |             |
|----------------------------|-------------|
| <b>technology</b>          |             |
| Pump rotator speed         | 2900        |
| Nameplate standards        | CE          |
| <b>Material</b>            |             |
| Impeller                   | 304         |
| Rubber code                | P           |
| Material Code              | S           |
| <b>Installation</b>        |             |
| Maximum Operation Pressure | 10bar       |
| Maximum Altitude           | 1000m       |
| <b>Medium</b>              |             |
| Maximum Environment Temper | 40          |
| Liquid Temperature Range   | -20+100     |
| <b>Motor</b>               |             |
| Number of Motor Phase      | Three Phase |
| Protection Class           | IP55        |
| Insulation Class           | F           |
| Motor Power                | 4KW         |
| Power Frequency            | 50HZ        |
| Rated Voltage (V)          | 380V        |
| Rated Current (A)          | 7.8         |
| Energy Efficiency Level    | IE3         |
| <b>Seal</b>                |             |
| Mechanical Seal            | ZS-24/BSE4  |
| <b>Others</b>              |             |
| Weight (kg)                | 58          |



# Performance Curve

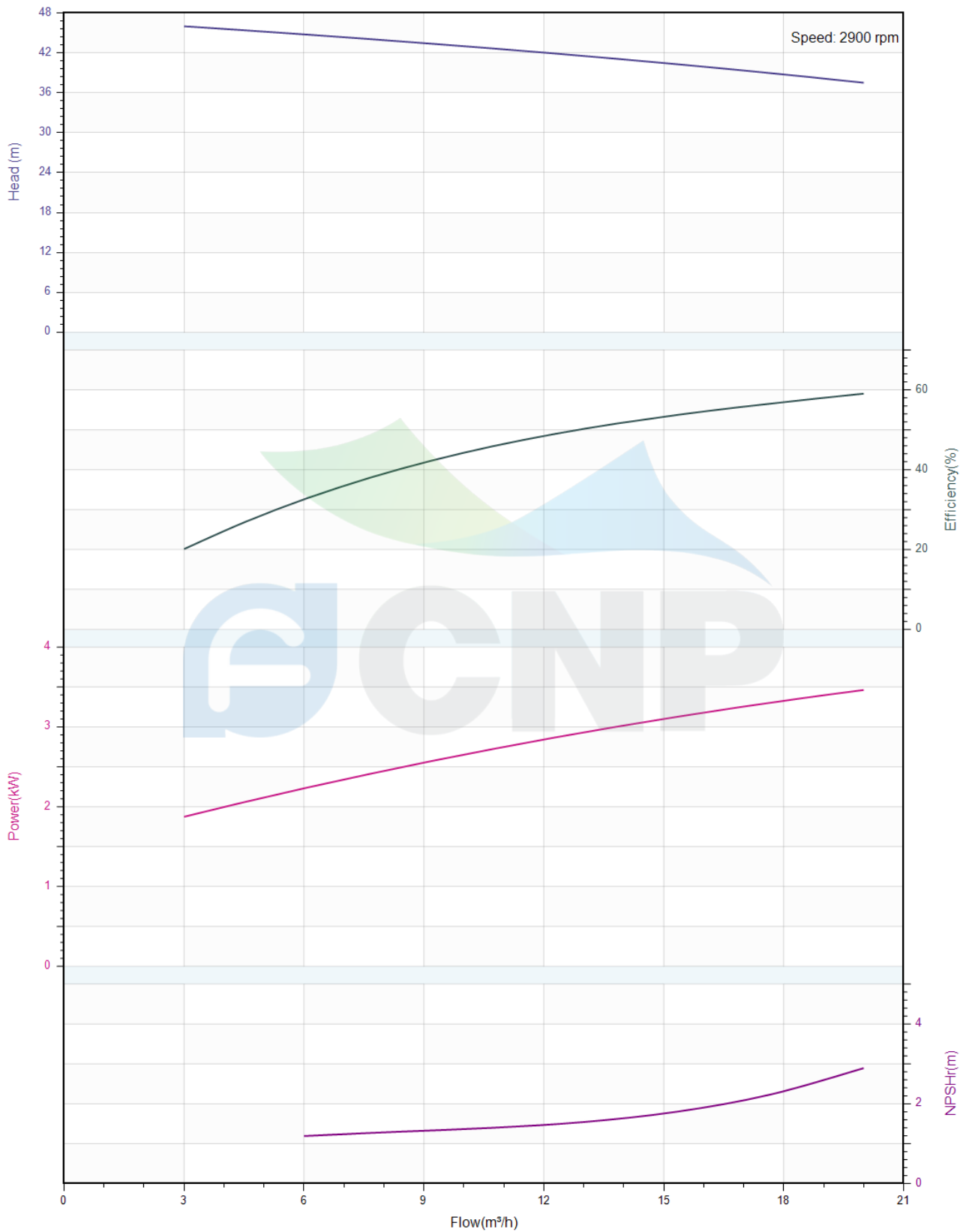
## ZS50-32-200/4.0

|              |                                      |
|--------------|--------------------------------------|
| Manufacturer | CNP                                  |
| Address      | Yuhang District, Hangzhou, Zhejiang, |
| Contact      | 86-571-88637351                      |
| Date         | 2022/03/08                           |
| Client Name  | DPA                                  |
| Client Addr. |                                      |
| Contacts     | Alireza                              |
| Contact      |                                      |

Project Name

Item NO

The hydraulic performance curve have been tested with Clean Water at 20°C, density 1000kg/m<sup>3</sup>, and at 1bar atmospheric pressure. ISO99062012 Grade 3B





## Pump Technical Parameters ZS50-32-200/4.0

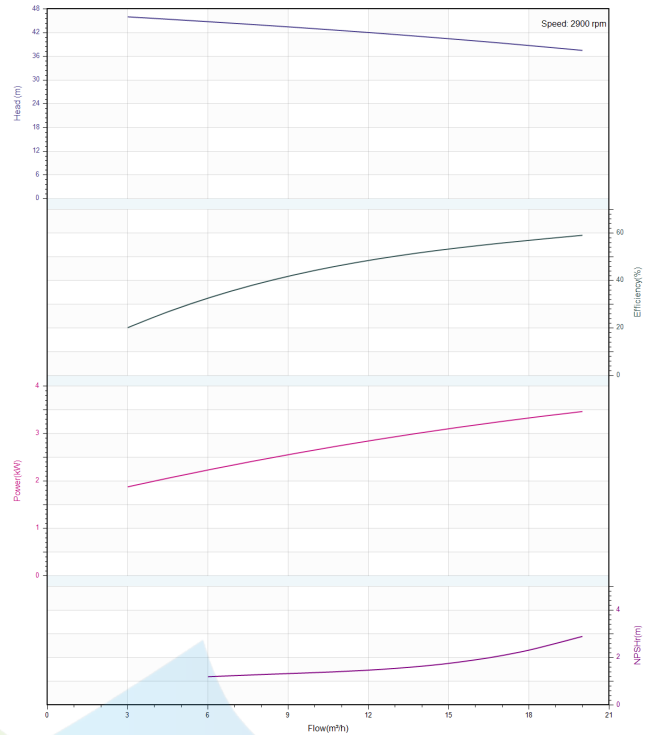
|              |                                      |
|--------------|--------------------------------------|
| Manufacturer | CNP                                  |
| Address      | Yuhang District, Hangzhou, Zhejiang, |
| Contact      | 86-571-88637351                      |
| Date         | 2022/03/08                           |
| Client Name  | DPA                                  |
| Client Addr. |                                      |
| Contacts     | Alireza                              |
| Contact      |                                      |

### Rated parameters

|                                |                 |
|--------------------------------|-----------------|
| Pump model                     | ZS50-32-200/4.0 |
| Part NO.                       | 1100043668      |
| Rated flow (m <sup>3</sup> /h) | 12.5            |
| Rated head (m)                 | 42              |
| Rated efficiency (%)           | 50              |
| Power (kW)                     | 2.86            |
| NPSHr (m)                      | 2.5             |
| Speed (rpm)                    | 2900            |
| Max impeller diameter (mm)     | 192             |

### Medium

|                                     |             |
|-------------------------------------|-------------|
| Pumped medium                       | Clean Water |
| Working temperature (°C)            | 20          |
| Medium density (kg/m <sup>3</sup> ) | 1000        |
| Viscosity (mm <sup>2</sup> /s)      | 1           |



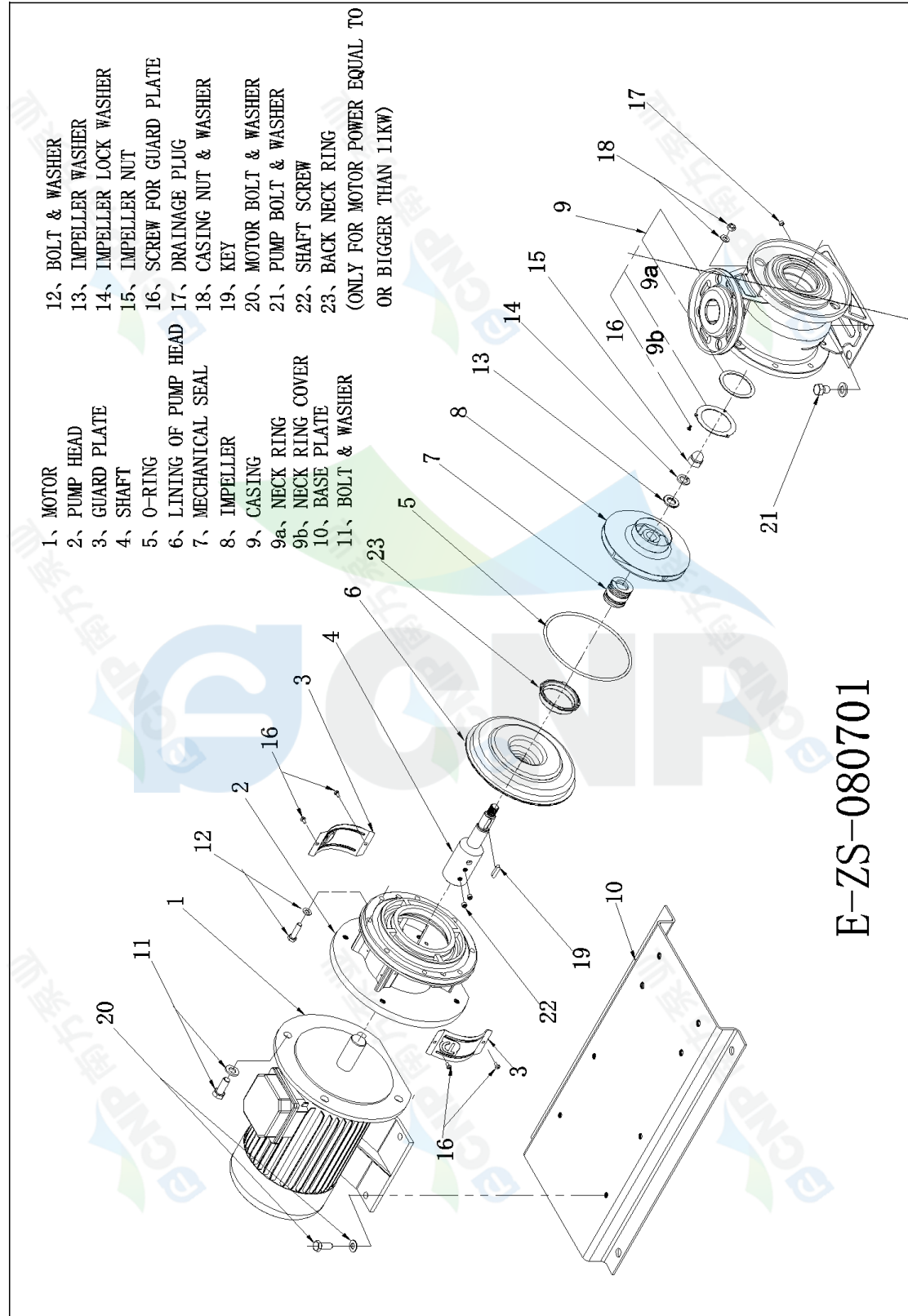


### Structure picture ZS50-32-200/4.0

|              |                                      |
|--------------|--------------------------------------|
| Manufacturer | CNP                                  |
| Address      | Yuhang District, Hangzhou, Zhejiang, |
| Contact      | 86-571-88637351                      |
| Date         | 2022/03/08                           |
| Client Name  | DPA                                  |
| Client Addr. |                                      |
| Contacts     | Alireza                              |
| Contact      |                                      |

Project Name

Item NO



E-ZS-080701

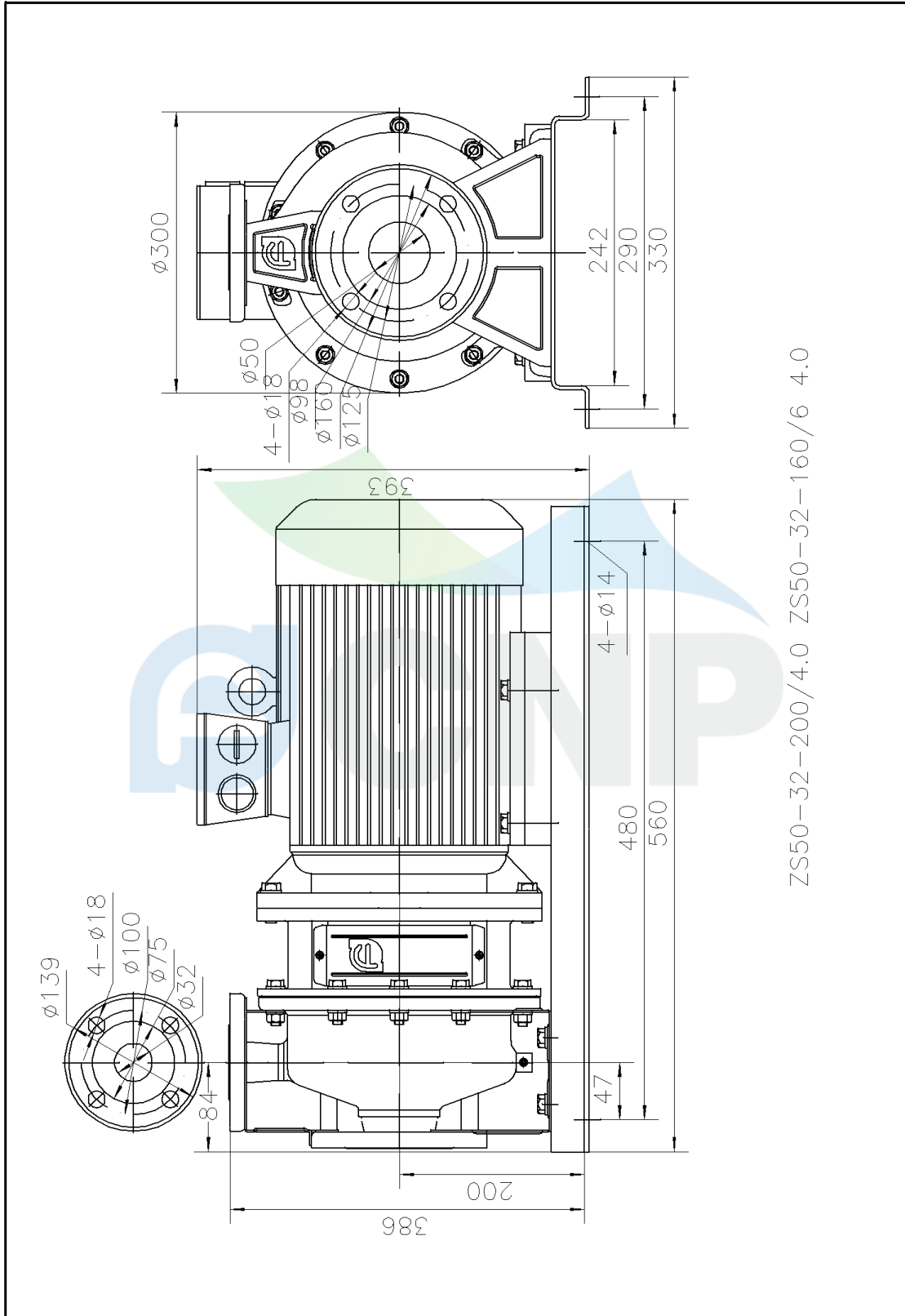


**Dimension Drawing**  
**ZS50-32-200/4.0**

|              |                                      |
|--------------|--------------------------------------|
| Manufacturer | CNP                                  |
| Address      | Yuhang District, Hangzhou, Zhejiang, |
| Contact      | 86-571-88637351                      |
| Date         | 2022/03/08                           |
| Client Name  | DPA                                  |
| Client Addr. |                                      |
| Contacts     | Alireza                              |
| Contact      |                                      |

Project Name

Item NO



ZS50-32-200/4.0 ZS50-32-160/6 4.0