
	Product Information MS60/0.37	Manufacturer	CNP
		Address	Yuhang District, Hangzhou, Zhejiang,
Project Name		Contact	86-571-88637351
		Date	2022/03/07
Item NO		Client Name	DPA
		Client Addr.	
		Contacts	Alireza
		Contact	

Part NO.	1100055366
----------	------------

Product Picture	Note
	<p>All stainless steel horizontal single stage not self-priming pump with axial suction, vertical discharge threaded connections.</p>

technology	
Pump rotator speed	2850
Material	
Impeller	316
Pump body	316
Rubber code	E
Material Code	L
Installation	
Connection Code	L
Maximum Operation Pressure	8Bar
Maximum Altitude	1000m
Medium	
Medium Density	No more than Clean Water
Maximum Environment Temper	+40
Liquid Temperature Range	-10~+85
Structure dimension	
Inlet & outlet size types	DN
Inlet Bore	G1 1/4
Outlet Diameter	G1
Rotation Direction	Anti-clockwise rotation viewing from inlet
Motor	
Number of Motor Phase	Three Phase
Protection Class	IP55
Insulation Class	F
Motor Power	0.37
Power Frequency	50HZ
Rated Voltage (V)	220/380V
Rated Current (A)	1.7/1.0
Energy Efficiency Level	IE2
Seal	
Mechanical Seal	MS-14/SBE6
Others	
Weight (kg)	10

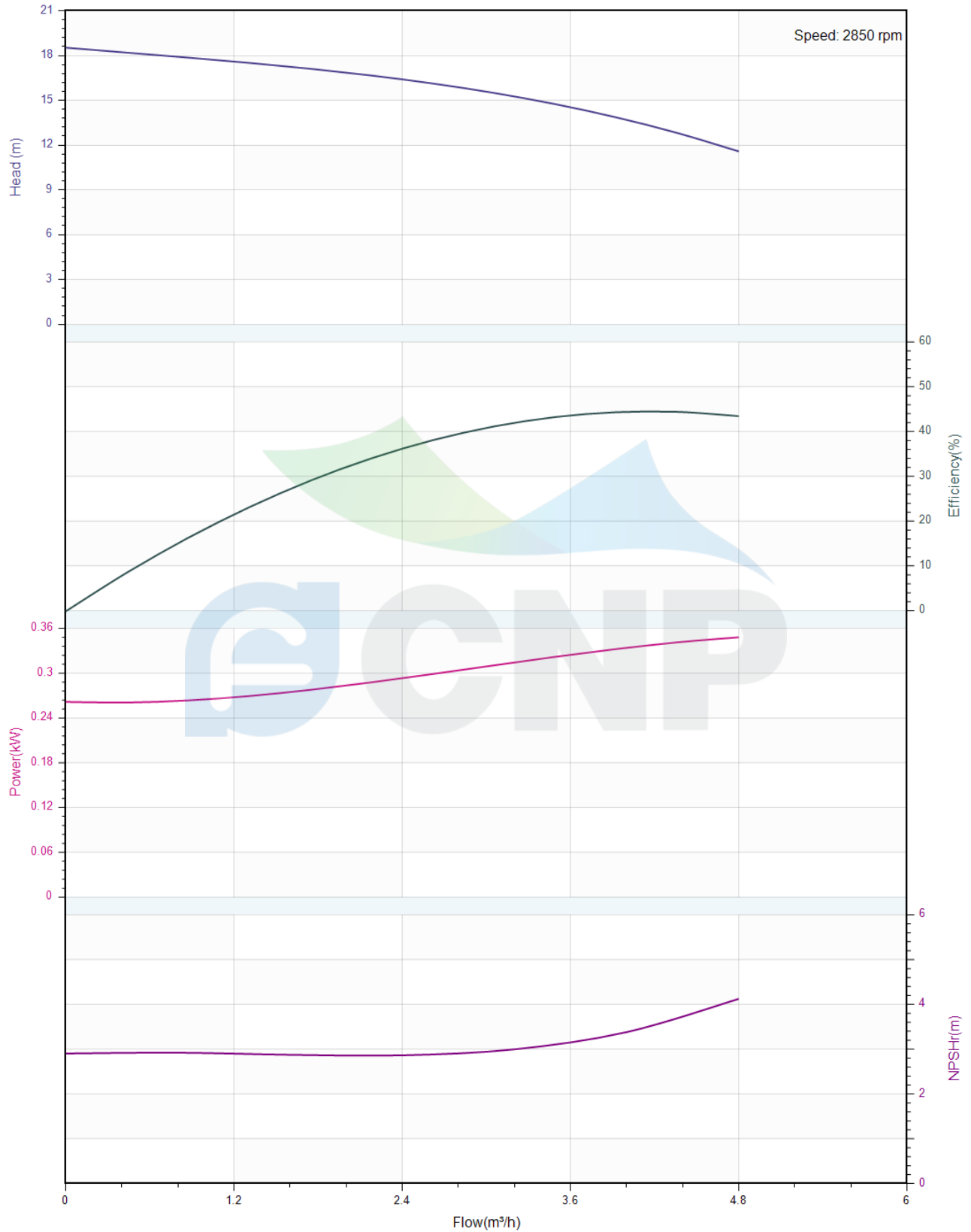


Performance Curve MS60/0.37

Manufacturer	CNP
Address	Yuhang District, Hangzhou, Zhejiang,
Contact	86-571-88637351
Date	2022/03/07
Client Name	DPA
Client Addr.	
Contacts	Alireza
Contact	

Project Name	
Item NO	

The hydraulic performance curve have been tested with Clean Water at 20°C, density 1000kg/m³, and at 1bar atmospheric pressure. ISO99062012 Grade 3B





Pump Technical Parameters MS60/0.37

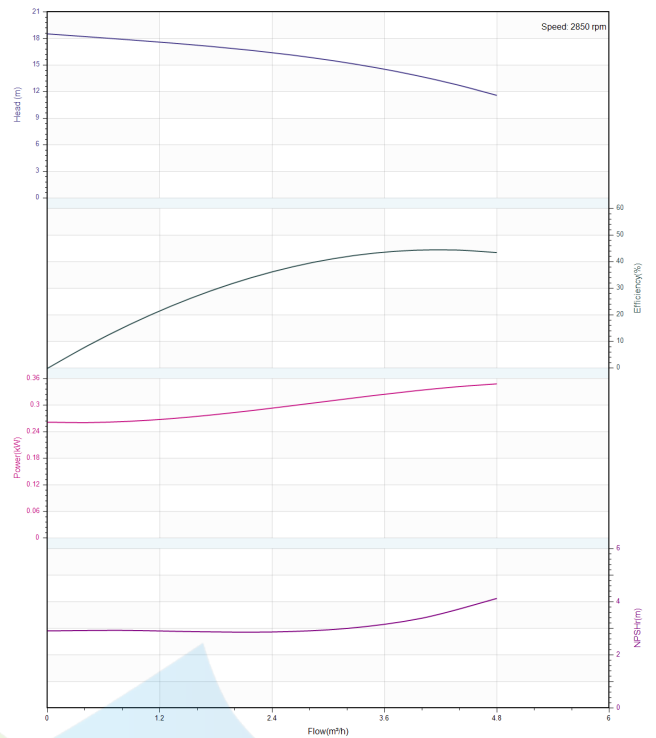
Manufacturer	CNP
Address	Yuhang District, Hangzhou, Zhejiang,
Contact	86-571-88637351
Date	2022/03/07
Client Name	DPA
Client Addr.	
Contacts	Alireza
Contact	

Rated parameters

Pump model	MS60/0.37
Part NO.	1100055366
Rated flow (m ³ /h)	3.6
Rated head (m)	14.6
Rated efficiency (%)	43
Power (kW)	0.33
NPSHr (m)	3
Speed (rpm)	2850
Max impeller diameter (mm)	124

Medium

Pumped medium	Clean Water
Working temperature (°C)	20
Medium density (kg/m ³)	1000
Viscosity (mm ² /s)	1



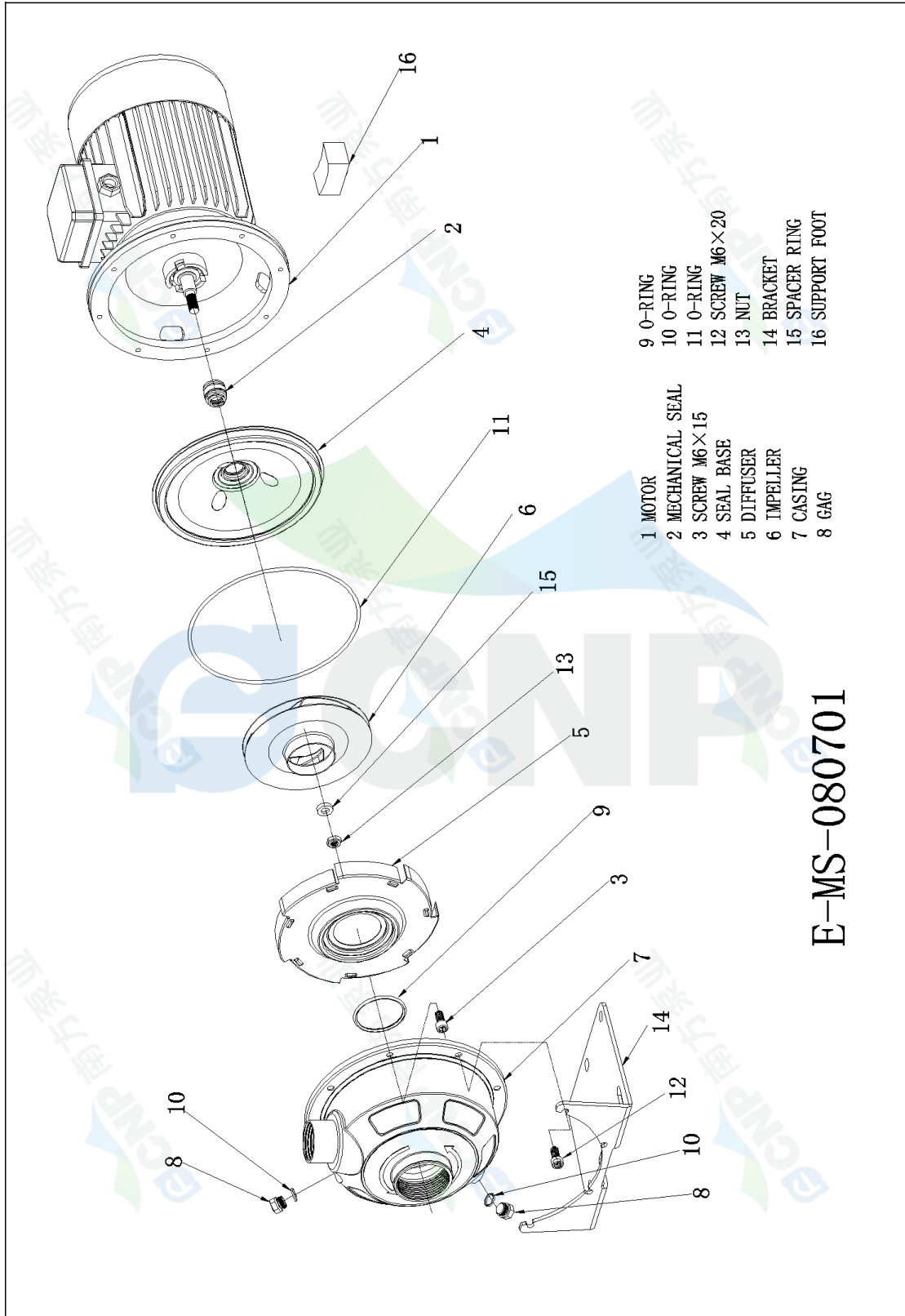


Structure picture
MS60/0.37

Manufacturer	CNP
Address	Yuhang District, Hangzhou, Zhejiang,
Contact	86-571-88637351
Date	2022/03/07
Client Name	DPA
Client Addr.	
Contacts	Alireza
Contact	

Project Name

Item NO



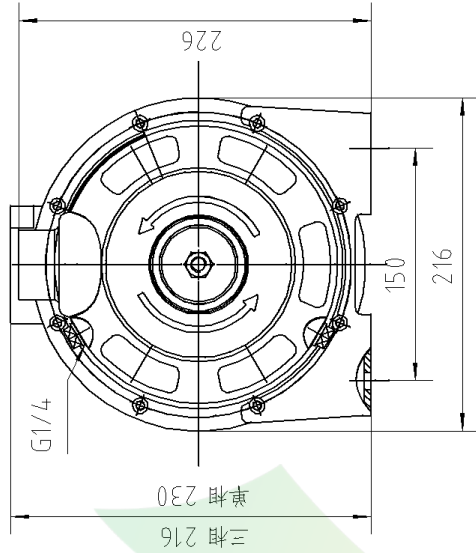


Dimension Drawing MS60/0.37

Manufacturer	CNP
Address	Yuhang District, Hangzhou, Zhejiang,
Contact	86-571-88637351
Date	2022/03/07
Client Name	DPA
Client Addr.	
Contacts	Alireza
Contact	

Project Name

Item NO



MS60/0.37

