
	Product Information MS250/1.1	Manufacturer	CNP
		Address	Yuhang District, Hangzhou, Zhejiang,
Project Name		Contact	86-571-88637351
		Date	2022/03/07
Item NO		Client Name	DPA
		Client Addr.	
		Contacts	Alireza
		Contact	

Part NO.	1100055391
----------	------------

Product Picture	Note
	<p>All stainless steel horizontal single stage not self-priming pump with axial suction, vertical discharge threaded connections.</p>

technology	
Pump rotator speed	2850
Material	
Impeller	316
Pump body	316
Rubber code	E
Material Code	L
Installation	
Connection Code	L
Maximum Operation Pressure	8Bar
Maximum Altitude	1000m
Medium	
Medium Density	No more than Clean Water
Maximum Environment Temper	+40
Liquid Temperature Range	-10~+85
Structure dimension	
Inlet & outlet size types	DN
Inlet Bore	G1 1/2
Outlet Diameter	G1 1/4
Rotation Direction	Anti-clockwise rotation viewing from inlet
Motor	
Number of Motor Phase	Three Phase
Protection Class	IP55
Insulation Class	F
Motor Power	1.1
Power Frequency	50HZ
Rated Voltage (V)	220/380V
Rated Current (A)	4.6/2.7
Energy Efficiency Level	IE2
Seal	
Mechanical Seal	MS-14/SBE6
Others	
Weight (kg)	16



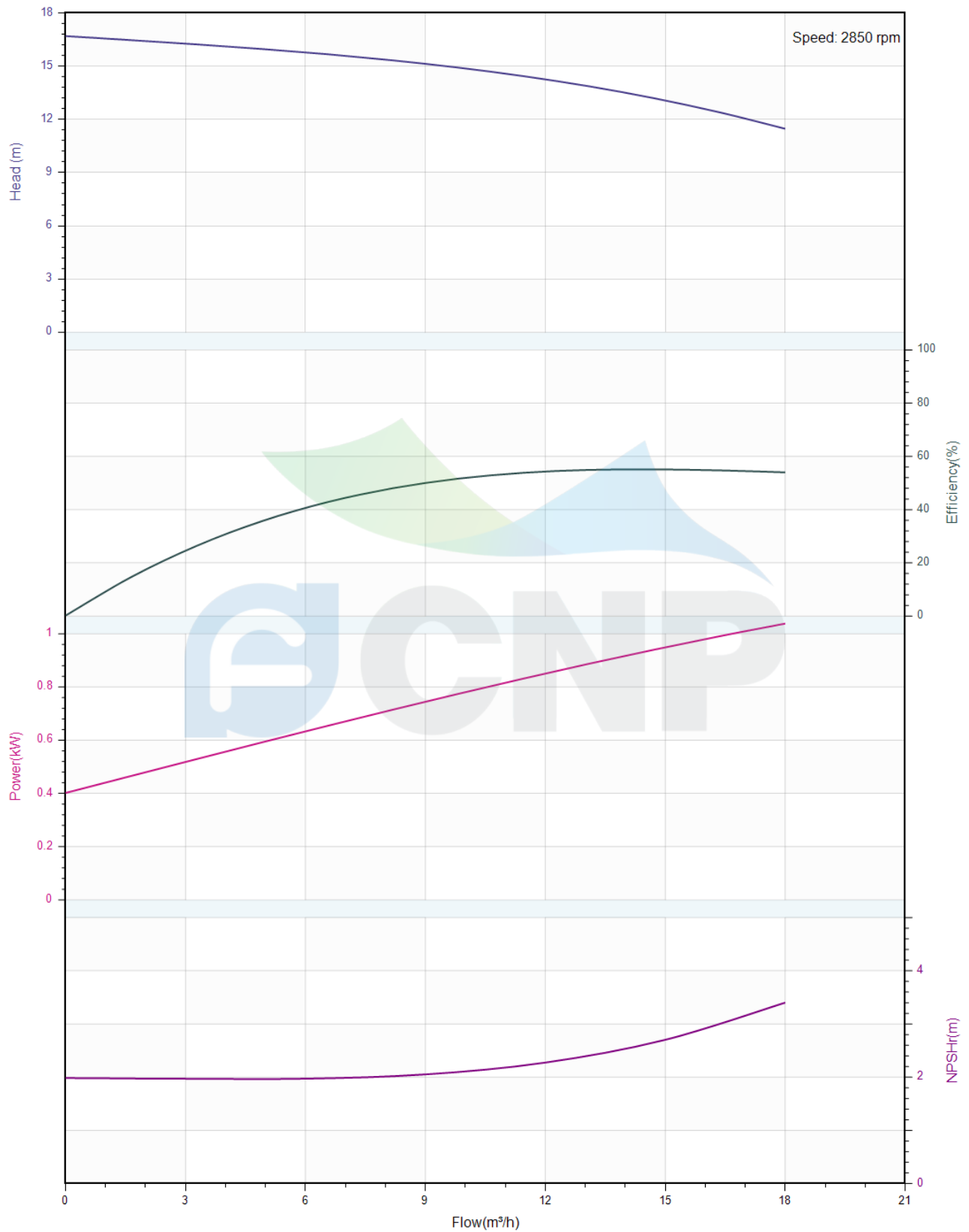
Performance Curve MS250/1.1

Manufacturer	CNP
Address	Yuhang District, Hangzhou, Zhejiang,
Contact	86-571-88637351
Date	2022/03/07
Client Name	DPA
Client Addr.	
Contacts	Alireza
Contact	

Project Name

Item NO

The hydraulic performance curve have been tested with Clean Water at 20°C, density 1000kg/m³, and at 1bar atmospheric pressure. ISO99062012 Grade 3B





Pump Technical Parameters MS250/1.1

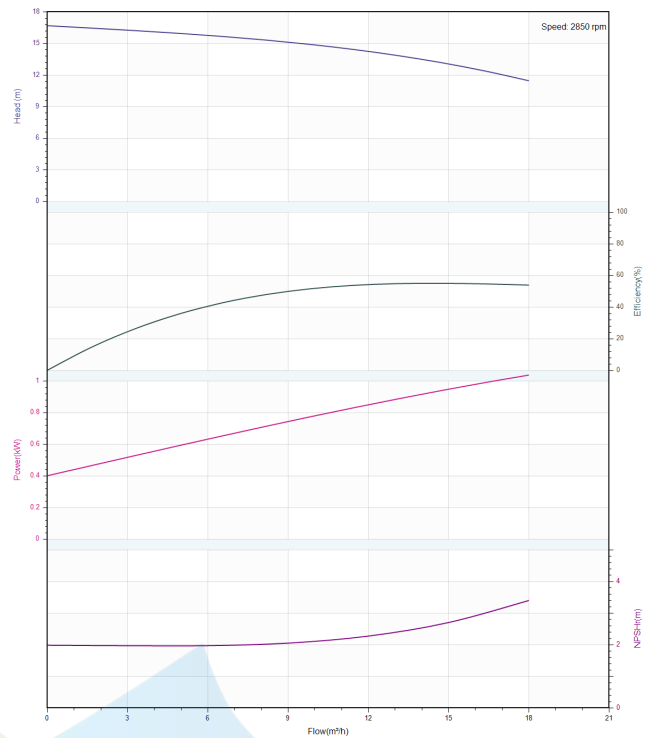
Manufacturer	CNP
Address	Yuhang District, Hangzhou, Zhejiang,
Contact	86-571-88637351
Date	2022/03/07
Client Name	DPA
Client Addr.	
Contacts	Alireza
Contact	

Rated parameters

Pump model	MS250/1.1
Part NO.	1100055391
Rated flow (m ³ /h)	15
Rated head (m)	13
Rated efficiency (%)	57
Power (kW)	0.93
NPSHr (m)	3
Speed (rpm)	2850
Max impeller diameter (mm)	122

Medium

Pumped medium	Clean Water
Working temperature (°C)	20
Medium density (kg/m ³)	1000
Viscosity (mm ² /s)	1



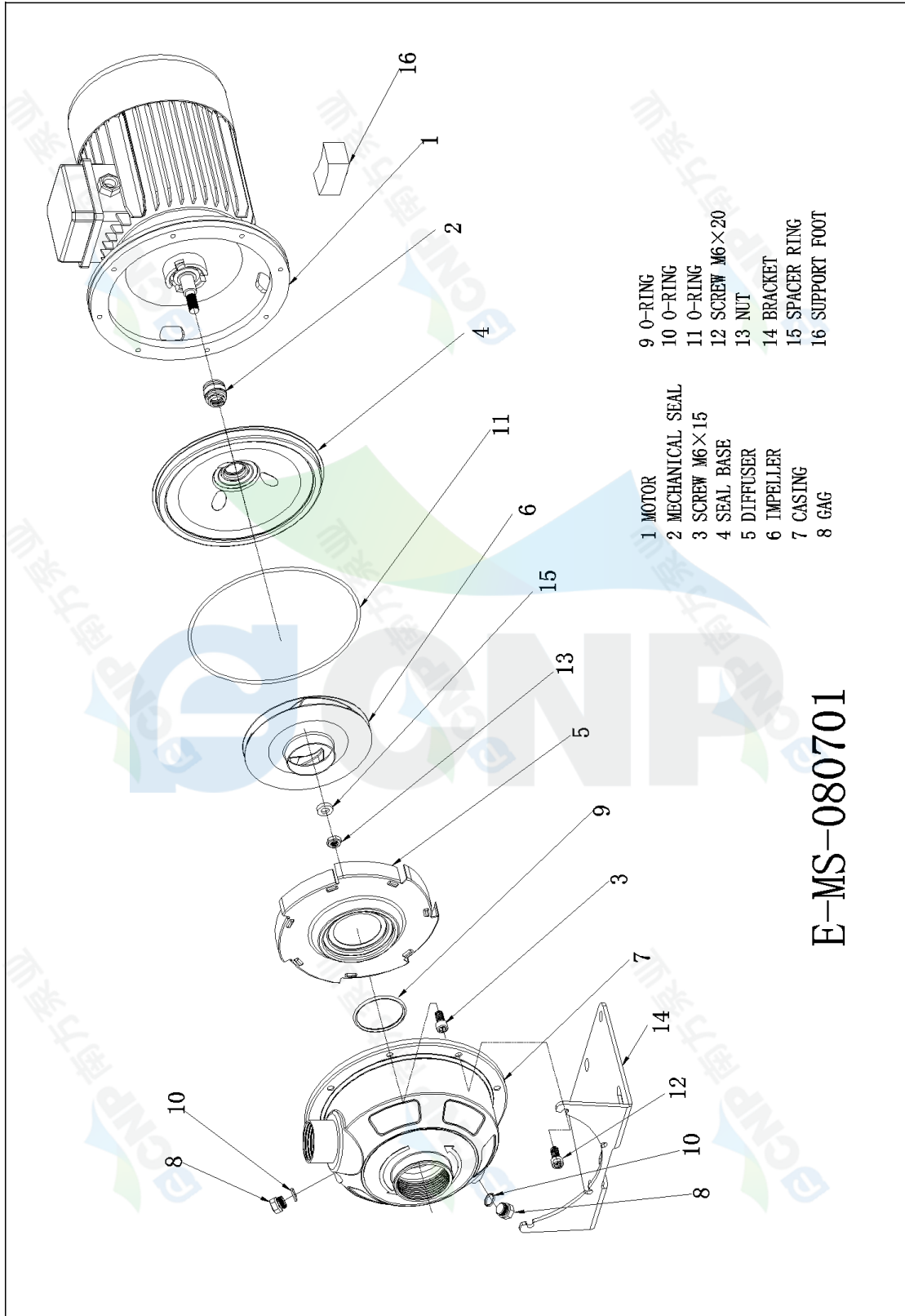


Structure picture
MS250/1.1

Manufacturer	CNP
Address	Yuhang District, Hangzhou, Zhejiang,
Contact	86-571-88637351
Date	2022/03/07
Client Name	DPA
Client Addr.	
Contacts	Alireza
Contact	

Project Name

Item NO



E-MS-080701

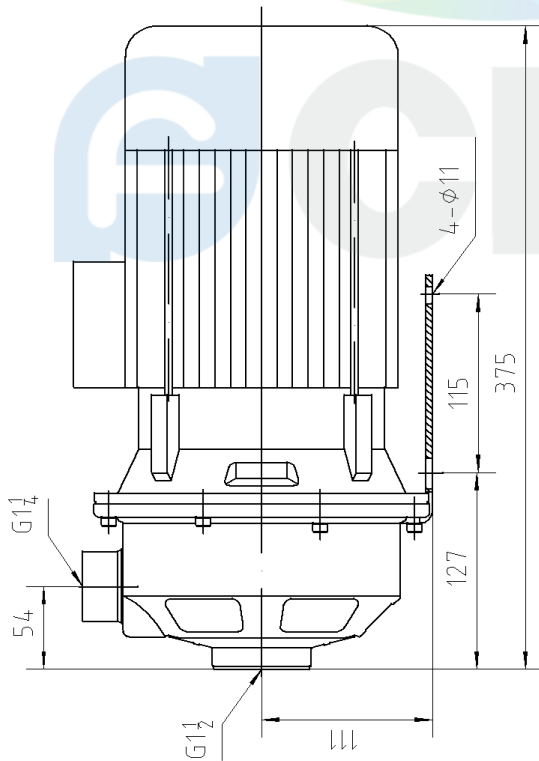
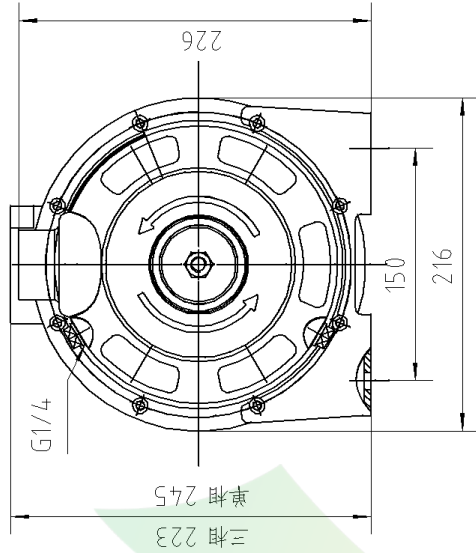


Dimension Drawing MS250/1.1

Manufacturer	CNP
Address	Yuhang District, Hangzhou, Zhejiang,
Contact	86-571-88637351
Date	2022/03/07
Client Name	DPA
Client Addr.	
Contacts	Alireza
Contact	

Project Name

Item NO



MS250-1.1