
	<b>Product Information</b> <b>MS160/1.1</b>	Manufacturer	CNP
		Address	Yuhang District, Hangzhou, Zhejiang,
Project Name		Contact	86-571-88637351
		Date	2022/03/07
Item NO		Client Name	DPA
		Client Addr.	
		Contacts	Alireza
		Contact	

Part NO.	1100055384
----------	------------

Product Picture	Note
	<p>All stainless steel horizontal single stage not self-priming pump with axial suction, vertical discharge threaded connections.</p>

<b>technology</b>	
Pump rotator speed	2850
<b>Material</b>	
Impeller	316
Pump body	316
Rubber code	E
Material Code	L
<b>Installation</b>	
Connection Code	L
Maximum Operation Pressure	8Bar
Maximum Altitude	1000m
<b>Medium</b>	
Medium Density	No more than Clean Water
Maximum Environment Temper	+40
Liquid Temperature Range	-10~+85
<b>Structure dimension</b>	
Inlet & outlet size types	DN
Inlet Bore	G1 1/2
Outlet Diameter	G1 1/4
Rotation Direction	Anti-clockwise rotation viewing from inlet
<b>Motor</b>	
Number of Motor Phase	Three Phase
Protection Class	IP55
Insulation Class	F
Motor Power	1.1
Power Frequency	50HZ
Rated Voltage (V)	220/380V
Rated Current (A)	4.6/2.7
Energy Efficiency Level	IE2
<b>Seal</b>	
Mechanical Seal	MS-14/SBE6
<b>Others</b>	
Weight (kg)	16

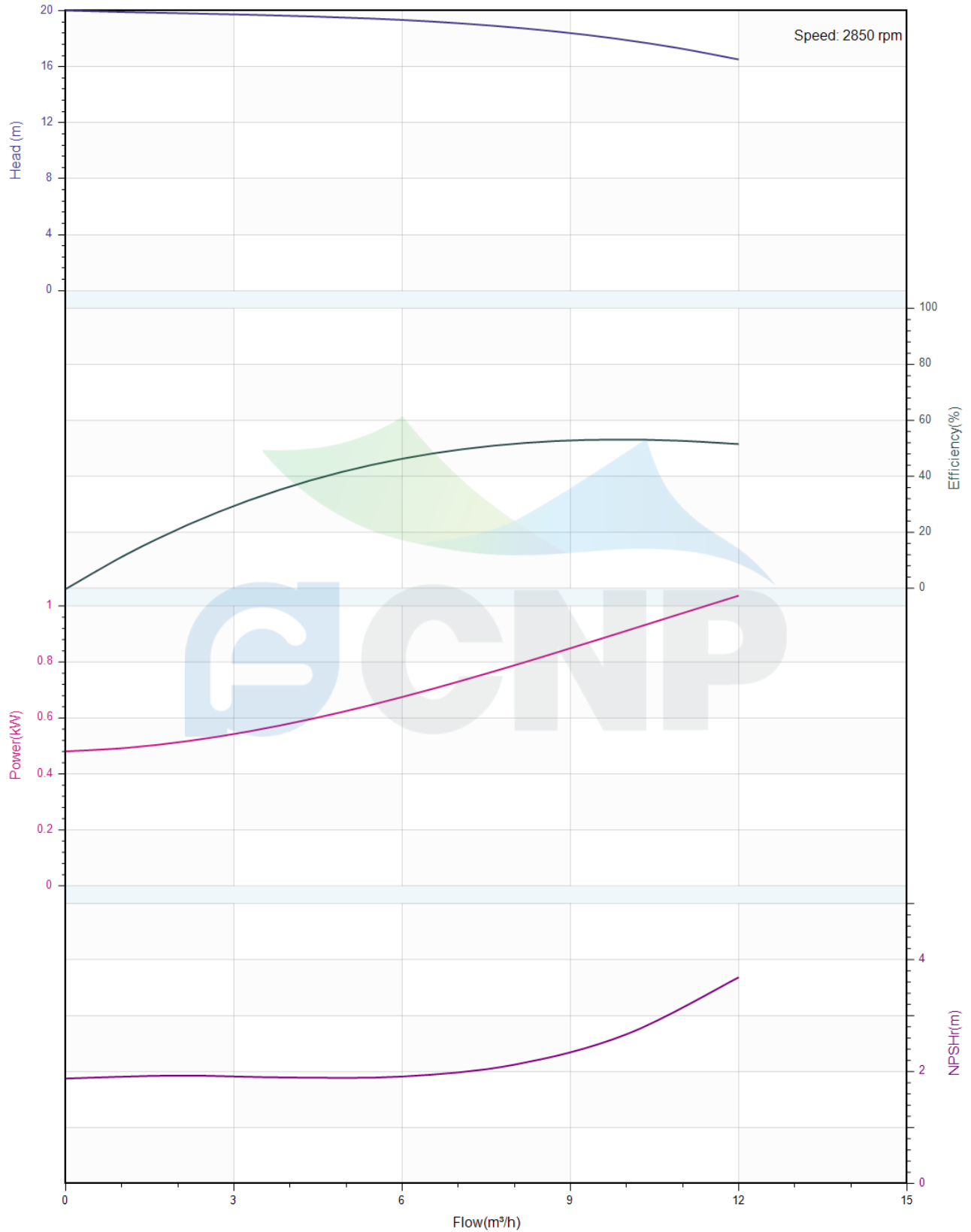


# Performance Curve MS160/1.1

Manufacturer	CNP
Address	Yuhang District, Hangzhou, Zhejiang,
Contact	86-571-88637351
Date	2022/03/07
Client Name	DPA
Client Addr.	
Contacts	Alireza
Contact	

Project Name	
Item NO	

The hydraulic performance curve have been tested with Clean Water at 20°C, density 1000kg/m<sup>3</sup>, and at 1bar atmospheric pressure. ISO99062012 Grade 3B





## Pump Technical Parameters MS160/1.1

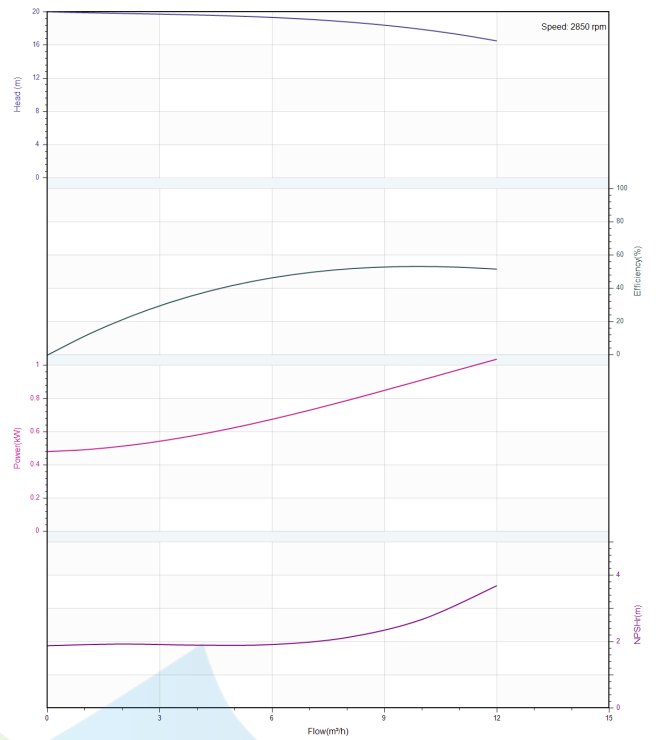
Manufacturer	CNP
Address	Yuhang District, Hangzhou, Zhejiang,
Contact	86-571-88637351
Date	2022/03/07
Client Name	DPA
Client Addr.	
Contacts	Alireza
Contact	


### Rated parameters

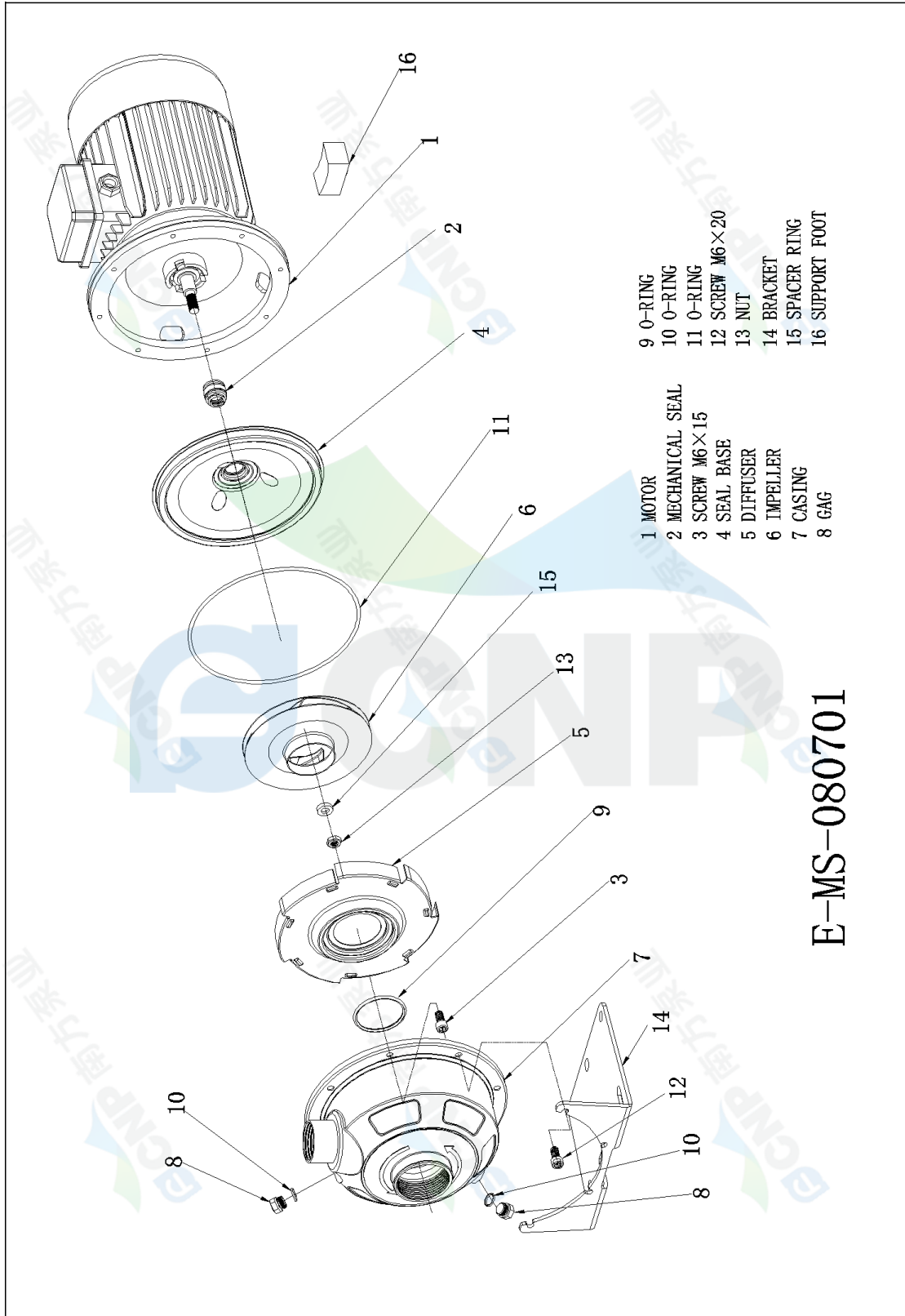
Pump model	MS160/1.1
Part NO.	1100055384
Rated flow (m <sup>3</sup> /h)	9.6
Rated head (m)	18.2
Rated efficiency (%)	56
Power (kW)	0.85
NPSHr (m)	3
Speed (rpm)	2850
Max impeller diameter (mm)	132

### Medium

Pumped medium	Clean Water
Working temperature (°C)	20
Medium density (kg/m <sup>3</sup> )	1000
Viscosity (mm <sup>2</sup> /s)	1



	<b>Structure picture</b> <b>MS160/1.1</b>	Manufacturer	CNP
		Address	Yuhang District, Hangzhou, Zhejiang,
Project Name		Contact	86-571-88637351
		Date	2022/03/07
Item NO		Client Name	DPA
		Client Addr.	
		Contacts	Alireza
		Contact	



E-MS-080701

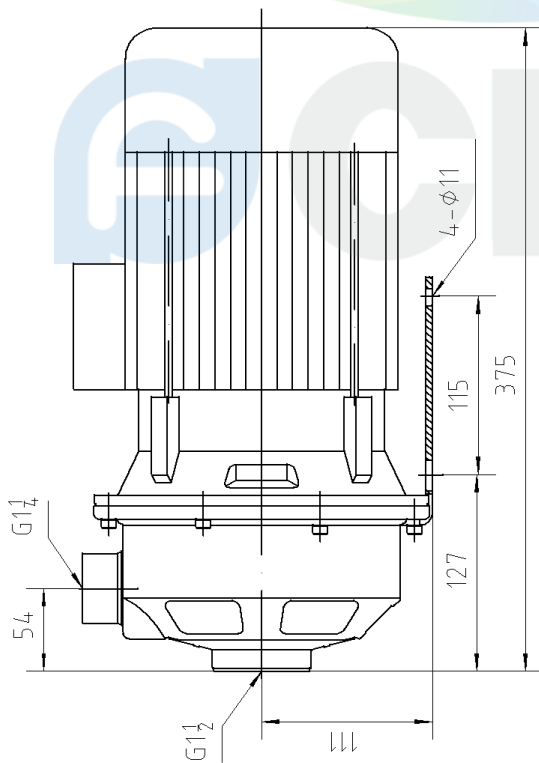
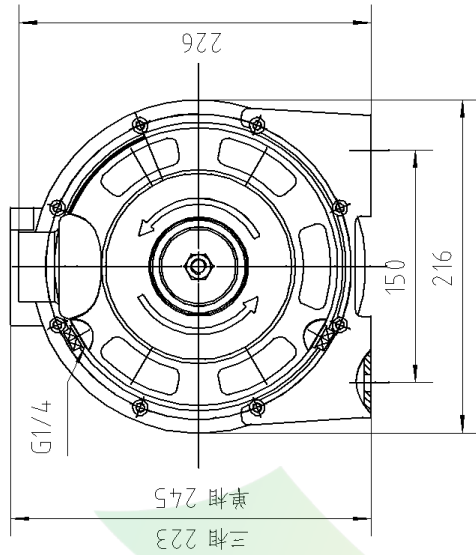


### Dimension Drawing MS160/1.1

Manufacturer	CNP
Address	Yuhang District, Hangzhou, Zhejiang,
Contact	86-571-88637351
Date	2022/03/07
Client Name	DPA
Client Addr.	
Contacts	Alireza
Contact	

Project Name

Item NO



MS160-1.1